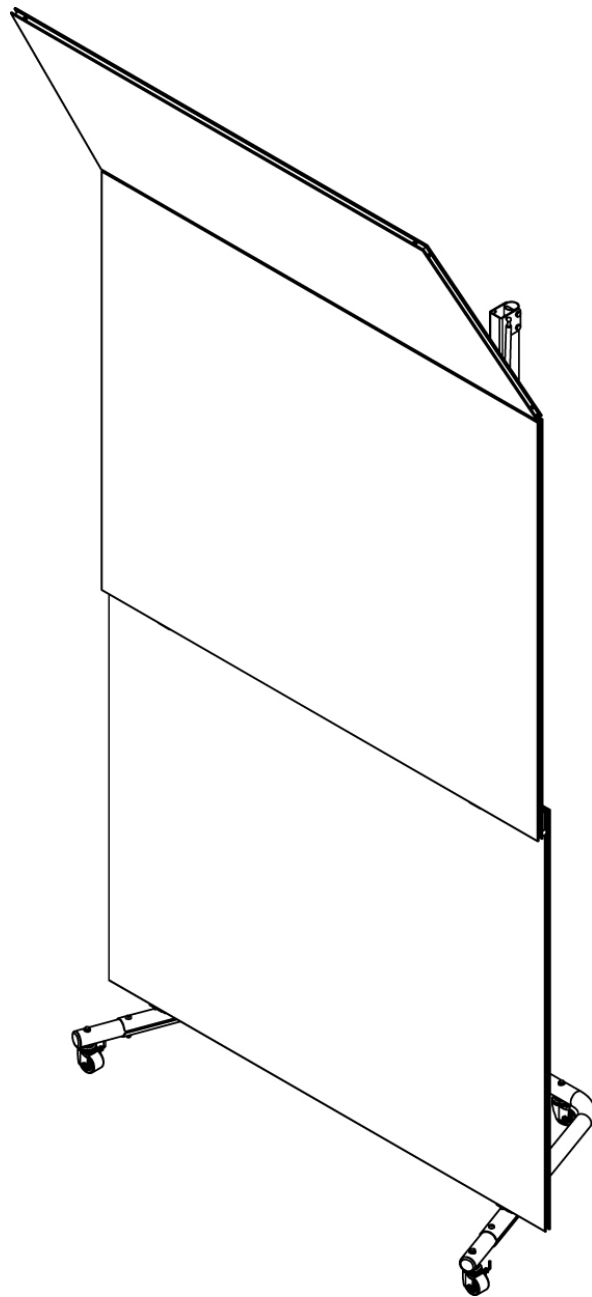




**STAGE**RIGHT

**PRODUCT INFORMATION PACKET**

**PRODUCT NAME: Alla Breve Music Shell**



**KEEP INFORMATION PACKET FOR FUTURE REFERENCE**

# Table Of Contents

---

- Introduction.....1
- General Safety Rules.....2
- Symbols.....3
- Technical Specifications.....4
- Instructions.....5
- Maintenance.....6
- Customer Service Information.....6

## Introduction

---

The StageRight Alla Breve Music Shell has been designed and manufactured with safety, performance and dependability as top priorities, making it easy to operate and maintain.

The care you give your Music Shell will greatly determine your satisfaction with its performance and service life. Careful study of this manual is encouraged to obtain a thorough understanding of your new Music Shell and its functions and maintenance.

If your manual becomes lost or destroyed, StageRight will gladly provide you with a new copy. Should you require additional information or assistance, please feel free to contact us at 1-800-438-4499.

BECAUSE STAGERIGHT CORPORATION MAINTAINS AN ONGOING PROGRAM OF PRODUCT DEVELOPMENT AND IMPROVEMENT, WE RESERVE THE RIGHT TO MAKE IMPROVEMENTS IN DESIGN OR CHANGES IN SPECIFICATIONS WITHOUT INCURRING ANY OBLIGATIONS TO INSTALL THEM ON UNITS PREVIOUSLY SOLD.

# General Safety Rules

---



---

## **WARNING!**

### **READ AND UNDERSTAND ALL INSTRUCTIONS.**

Failure to follow all instructions listed below may result in serious personal injury.


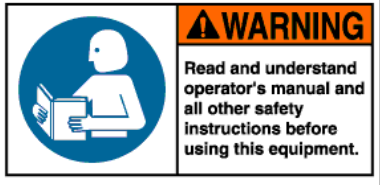
---

## **SAVE THESE INSTRUCTIONS**

- **Setup Music Shells on level surface.** Use the caster brakes when shell is in place.
- **Save this manual.** Refer to it frequently and use it to instruct others who may use the Alla Breve Music Shell.
- **Read the Product Information Packet.** Failure to read the information packet is considered a misuse of this equipment.
- **Become familiar with all caution and warning decals affixed to the staging equipment before use.**
- **Never cover or deface caution/warning labels.**

# Symbols

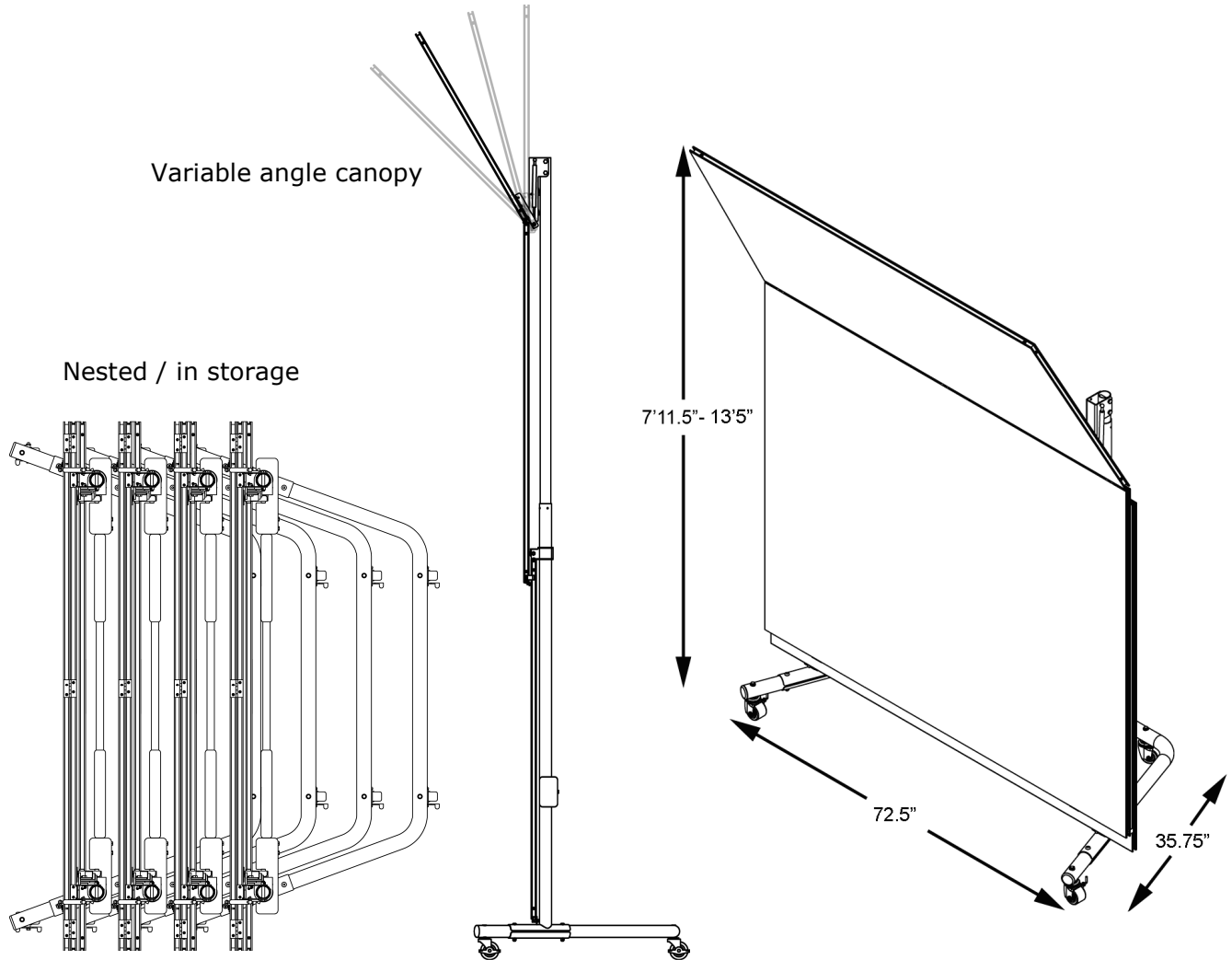
---

	<p><b>Safety Alert:</b> Precautions that involve your safety</p>
	<p><b>Read The Operator's Manual:</b> To reduce risk of injury, user must read and understand operator's manual before using this product</p>

# StageRight Corporation Technical Specifications

## Alla Breve Music Shell

Part #	Description	Weight	Shipping Dim.
370102	Warm Beige Color	210 lb	48"x73"x85"

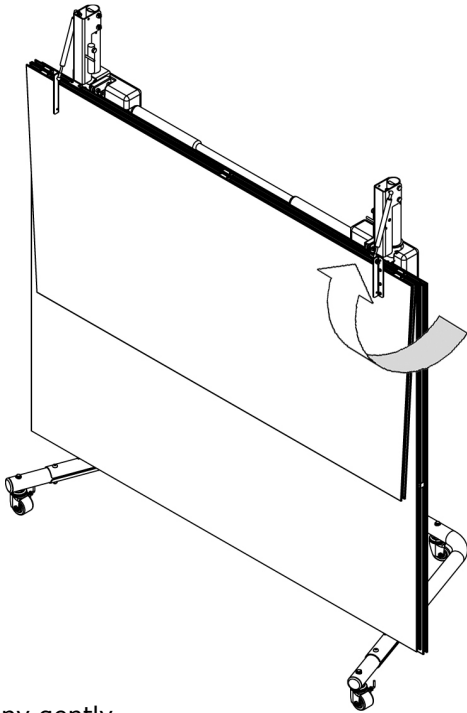


### Construction, Finish, and Hardware

- Constructed of ASTM specified steel or aluminum
- Baked-on powder coat finish.
- Zinc-plated hardware

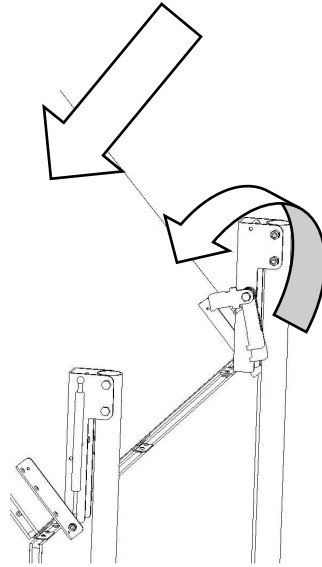
# Instructions

1



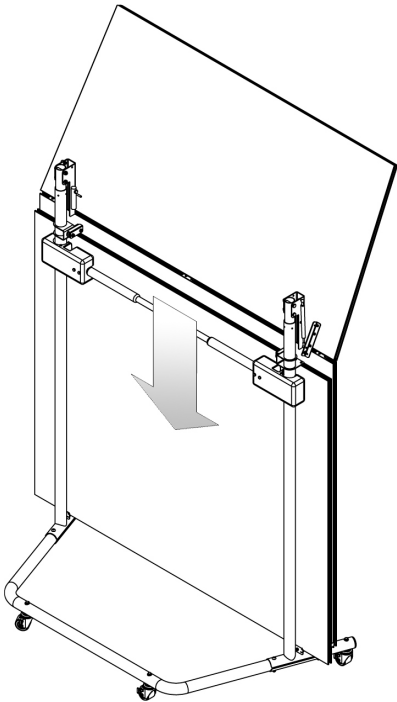
Lift canopy gently.

2



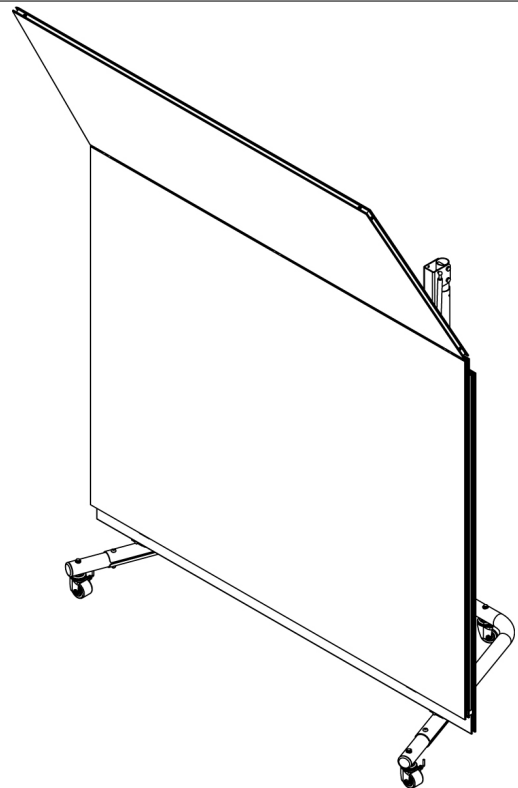
To adjust canopy angle, rotate canopy down, flip desired length canopy stop into position, and release canopy. The longer the canopy stop, the greater the angle of the canopy.

3



Twist handlebar slightly and use 2 hands to push handlebar down until tower reaches desired height.

4



## Maintenance

---



### **WARNING!**

#### **Read and Understand All Maintenance Procedures**

Failure to follow all procedures listed below may cause serious injury and a decrease in the equipments functional existence.

---

- **Frequently check to see that all fasteners are securely engaged.**
- **Music equipment should be cleaned periodically with household cleaners to maintain original surface finish.**
- **A silicone based lubricant may be used on moving parts to maintain proper function.**
- **Replace any damaged equipment with genuine StageRight parts.** Failure to do so may result in unsafe equipment and/or personal injury.

## Customer Service

---

For parts or service contact StageRight Corporation. When ordering parts be sure to provide all relevant information available including the name and part number of the equipment purchased. This information is located on the technical specification page of this product information package. Customer Service hours are Monday thru Friday from 8:00 a.m. to 5:00 p.m. Eastern Standard Time. Customers can phone toll-free at (800) 438-4499 or mail:

StageRight Corporation  
495 Pioneer Parkway  
Clare, Michigan 48617  
[www.stageright.com](http://www.stageright.com)



SET UP IN MINUTES



STURDY, WITH NO TOOLS REQUIRED



UNSURPASSED CUSTOMER SERVICE

StageRight Corporation  
495 Pioneer Parkway  
Clare, MI 48617  
Toll-free: 800-438-4499  
Phone: 989-386-7393  
Fax: 989-386-3500  
Email: [info@stageright.com](mailto:info@stageright.com)  
Web: [www.stageright.com](http://www.stageright.com)