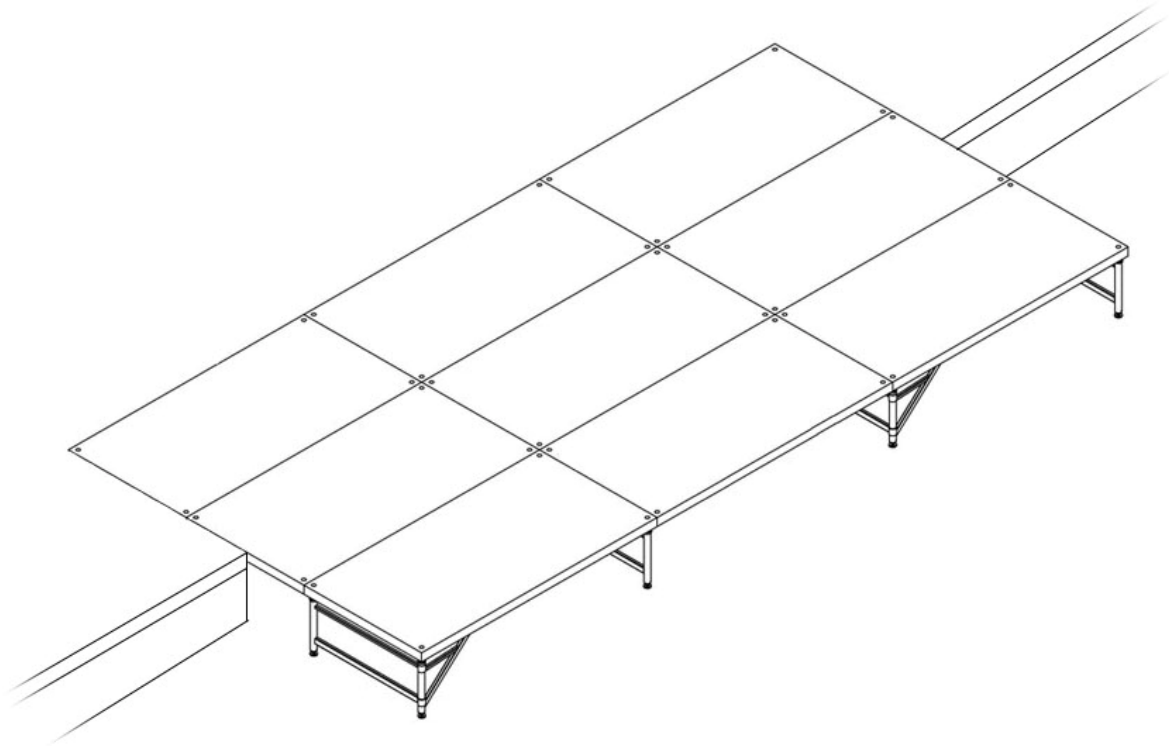




STAGERIGHT

PRODUCT INFORMATION PACKET

PRODUCT NAME: Pit Filler



KEEP INFORMATION PACKET FOR FUTURE REFERENCE

Table of Contents

▪ Introduction.....	1
▪ General Safety Rules.....	2
▪ Symbols.....	3
▪ ME-1000	4
▪ ZHD.....	10
▪ Stub Legs.....	14
▪ Deck Specs.....	16
▪ Maintenance.....	17
▪ Customer Service Information.....	17

Introduction

The StageRight All Purpose Deck has been designed and manufactured with safety, performance and dependability as top priorities, making it easy to operate and maintain.

The care you give your All Purpose Deck will greatly determine your satisfaction with its performance and service life. Careful study of this manual is encouraged to obtain a thorough understanding of your new All Purpose Deck and its functions and maintenance.

If your manual becomes lost or destroyed, StageRight will gladly provide you with a new copy. Should you require additional information or assistance, please feel free to contact us at 1-800-438-4499.

BECAUSE STAGERIGHT CORPORATION MAINTAINS AN ONGOING PROGRAM OF PRODUCT DEVELOPMENT AND IMPROVEMENT, WE RESERVE THE RIGHT TO MAKE IMPROVEMENTS IN DESIGN OR CHANGES IN SPECIFICATIONS WITHOUT INCURRING ANY OBLIGATIONS TO INSTALL THEM ON UNITS PREVIOUSLY SOLD.

General Safety Rules



WARNING!


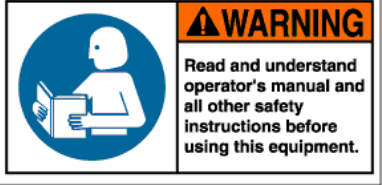

READ AND UNDERSTAND ALL INSTRUCTIONS.

Failure to follow all instructions listed below may result in serious personal injury.

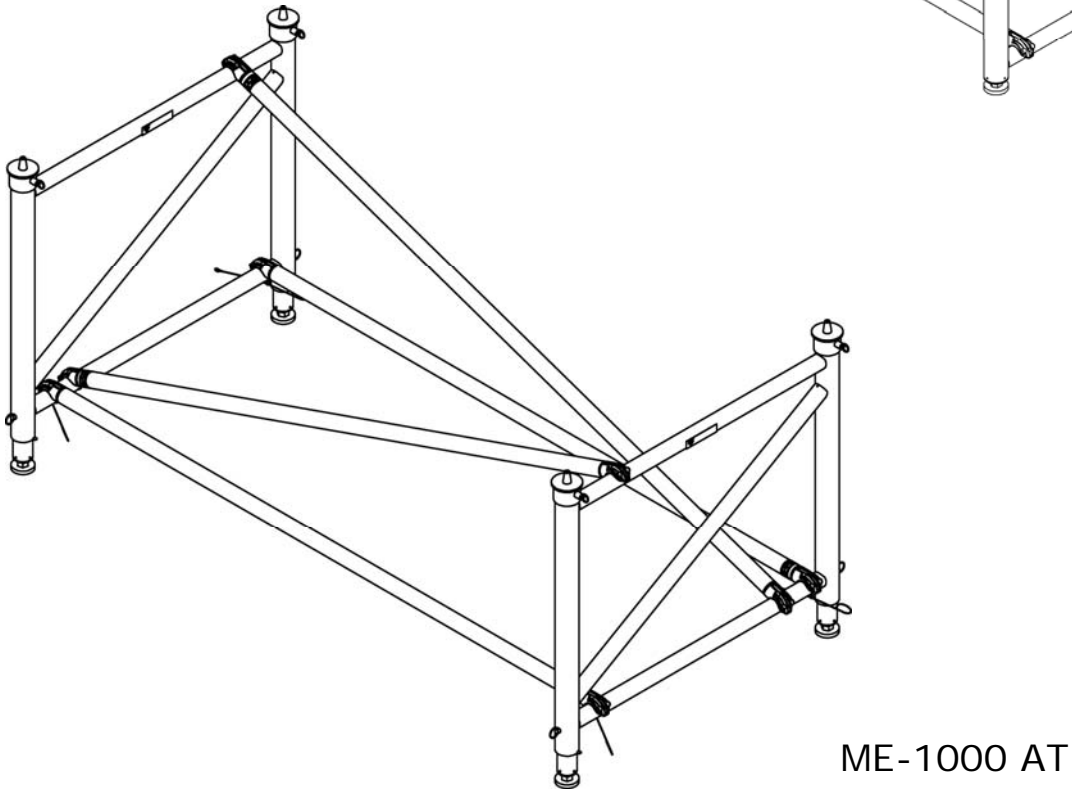
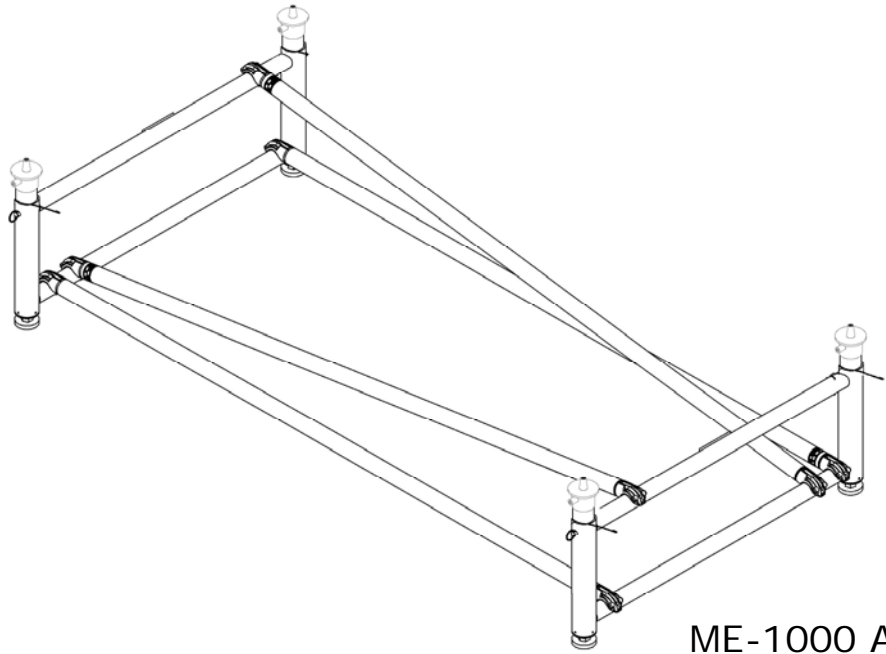
SAVE THESE INSTRUCTIONS

- **Stay clear of all pinch points.**
- **Make sure that all fasteners are properly engaged before use.** Quick pins, faspins, button stops, and jam nuts need to be properly engaged before use.
- **Save these instructions.** Refer to them frequently and use them to instruct others who may use the All Purpose Deck.
- **Read the Product Information Packet.** Failure to read the information packet is considered a misuse of this equipment.
- **Become familiar with all caution and warning decals affixed to the support system before use.**
- **Never cover or deface caution/warning labels.**
- **Make sure that all decks are positioned properly onto the support system.**

Symbols

	<p>Safety Alert: Precautions that involve your safety</p>
	<p>Read The Operator's Manual: To reduce risk of injury, user must read and understand operator's manual before using this product</p>
	<p>Pinch Point Warning Label: Failure to keep hands away from pinch points will result in personal injury</p>

ME-1000 Structure's



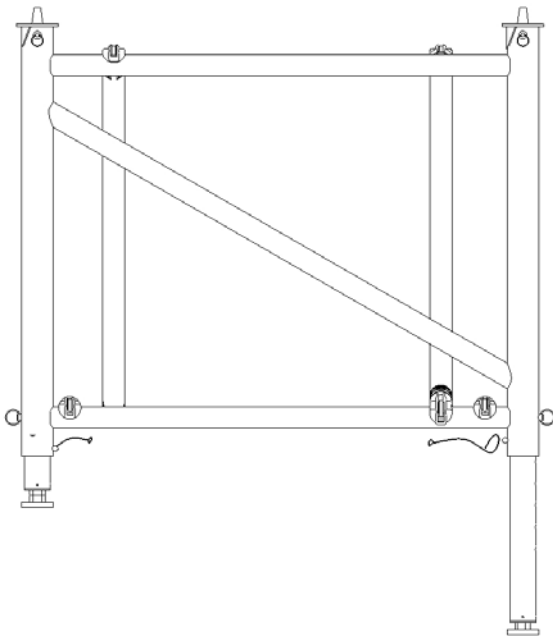
StageRight Corporation Technical Specifications

ME - 1000AT Support System, All Terrain Style

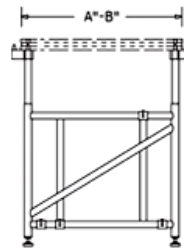
PART #	DESCRIPTION	WT. (LB.)	SHIPPING DIM.
314409	16"-24" Adjustable Height	65	110" x 48" x 6"
314410	24"-36" Adjustable Height	72	110" x 48" x 6"
314412	32"-48" Adjustable Height	79	110" x 48" x 6"
314415	36"-56" Adjustable Height	86	110" x 48" x 6"
314420	48"-78" Adjustable Height	108	110" x 48" x 6"

All – Terrain Style:

All – Terrain Style for variable contours or uneven spaces.



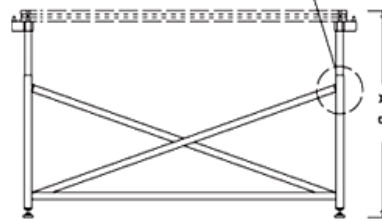
END VIEW:



Self – Locking Hooks:
Horizontal and diagonal braces attach to frame by self-locking hooks that require manual release.



SIDE VIEW:



TOP VIEW:

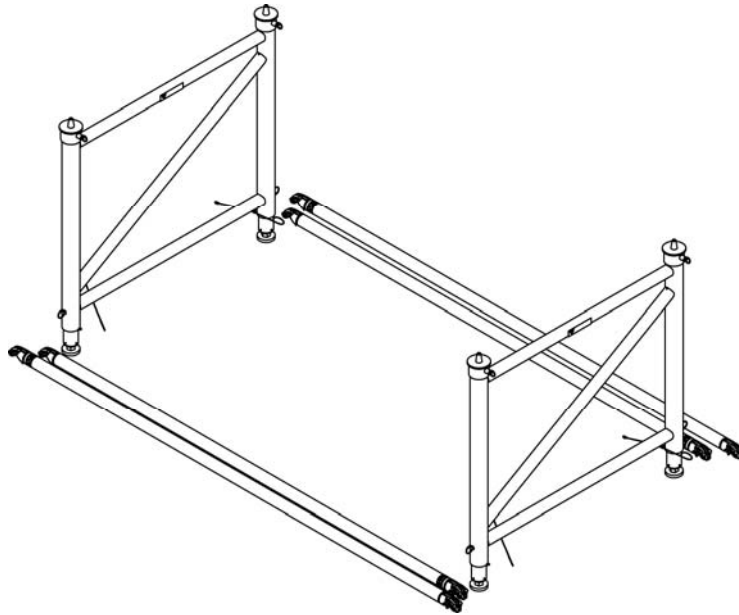


Construction, Finish, and Hardware

- Constructed of ASTM specified aluminum
- Baked-on powder coat finish.
- Zinc-plated hardware

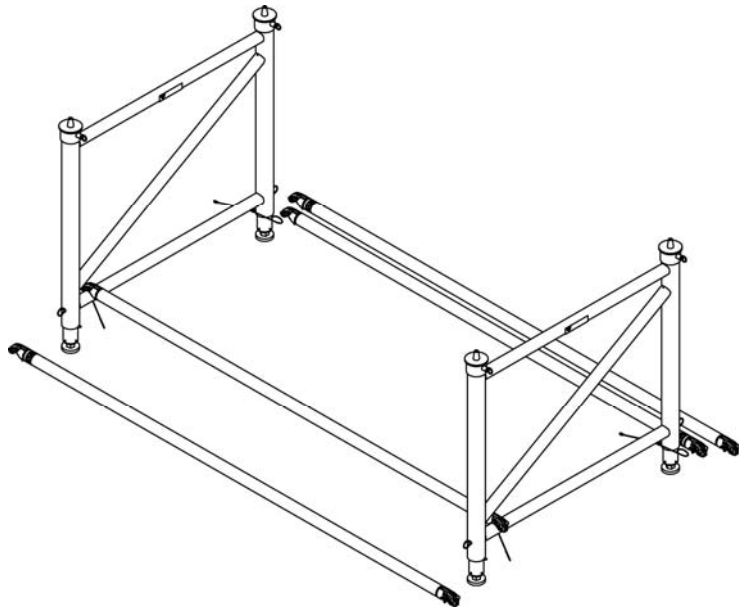
Instructions

1



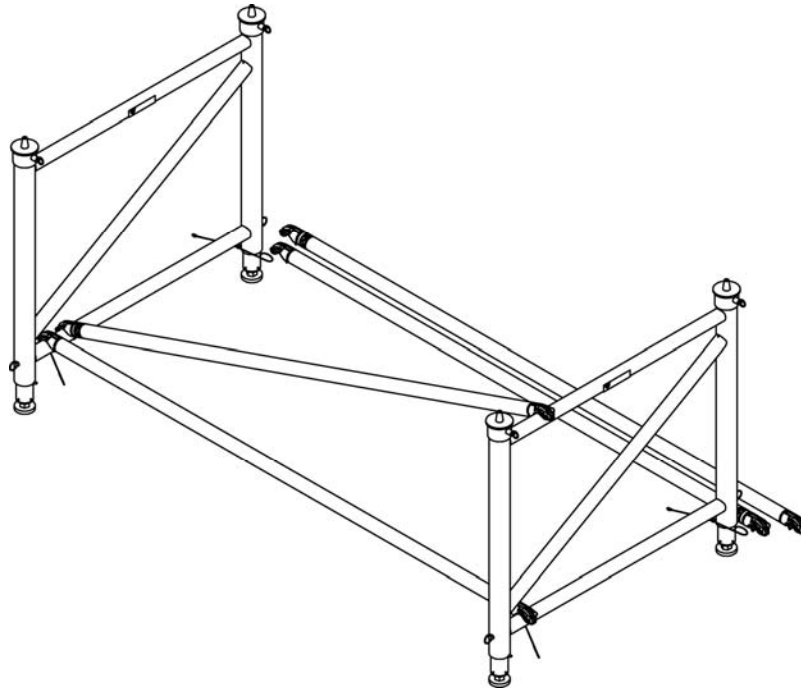
Begin the assembly of your ME – 1000AT Support System by laying out the components as shown above. Take note that the horizontal braces are marked with a green sticker while the diagonal braces are marked with a yellow sticker. Assembly of this structure should be done with at least two people and tools are not required.

2



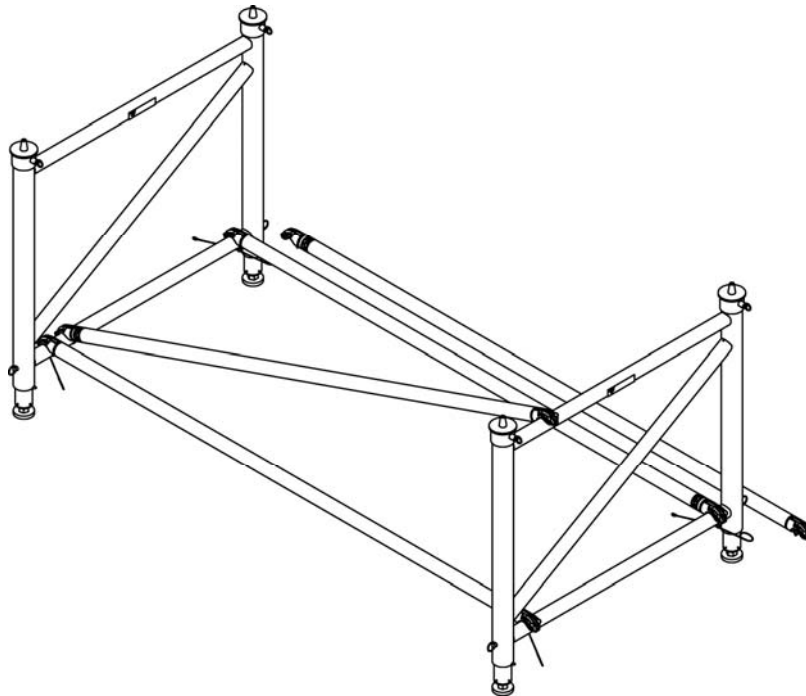
Start by assembling one of the horizontal braces as shown above. Attach one end of the horizontal brace to an H-section and then move the opposite section accordingly so that it can be hooked by the other end of the brace. It is recommended that you attach the horizontal braces as close as possible to the vertical tube of the H-section.

3



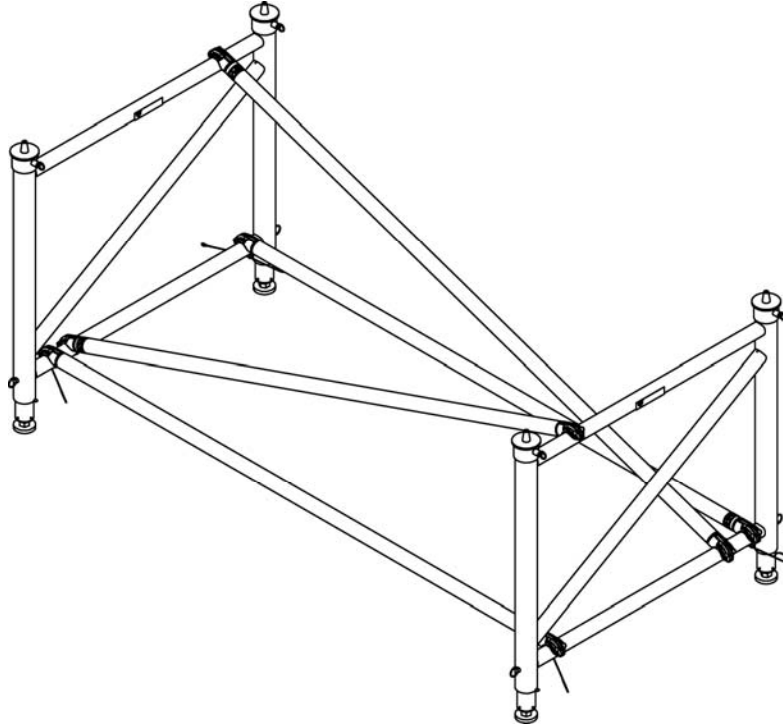
Next attach one of the diagonal braces to the assembly as shown above. Simply attach one end of the brace to the lower level of the H-section and then attach the opposite end to the top level of the H-section.

4



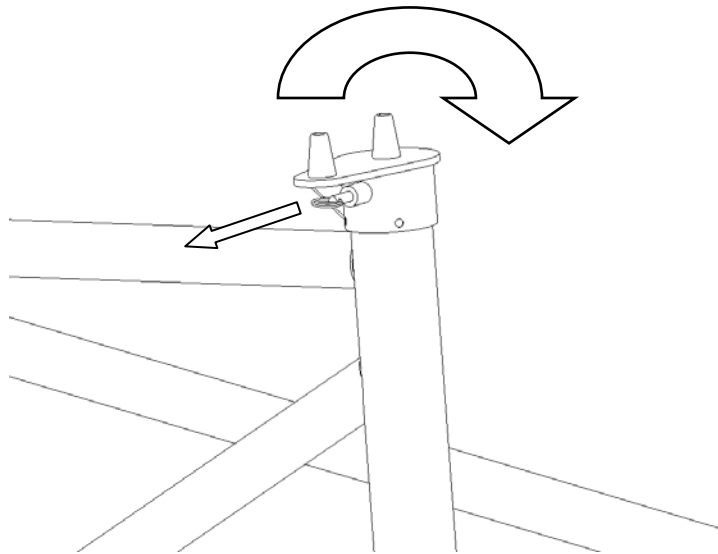
Attach the remaining horizontal brace as before.

5



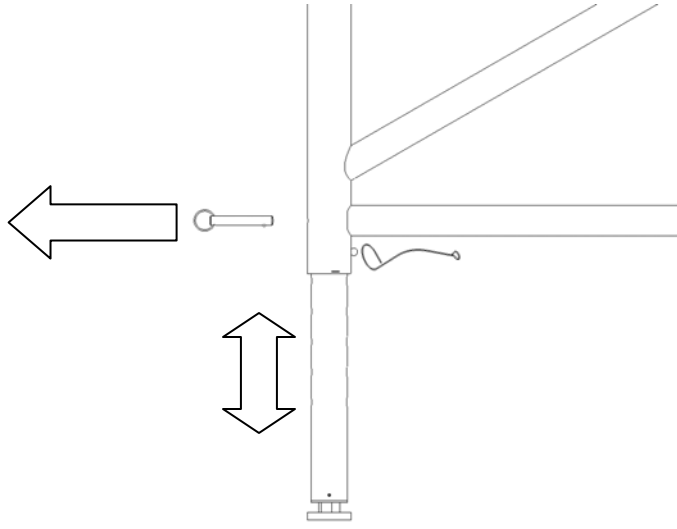
Complete the assembly by attaching the final diagonal brace.

6



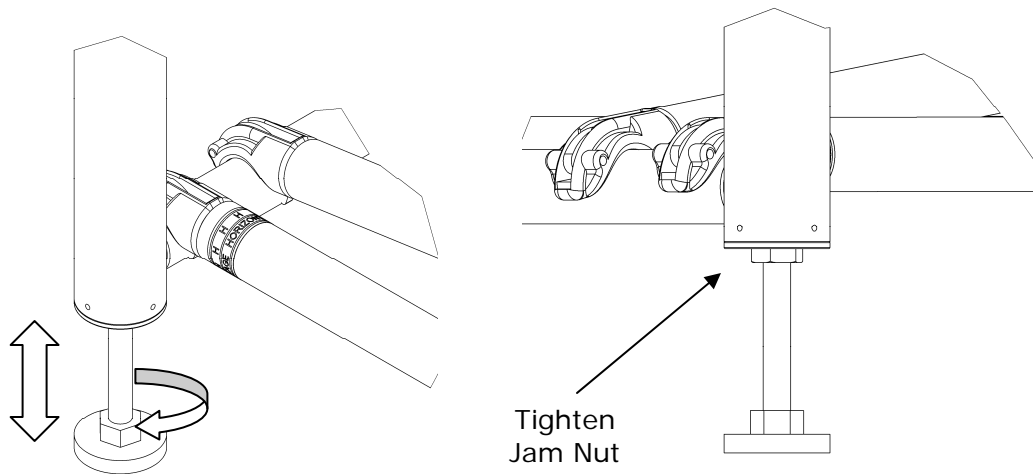
To change the position of the locator nodes begin by pulling the spring pin that keeps the locator assembly in place and rotate the locator to the desired position and then release the spring pin.

7



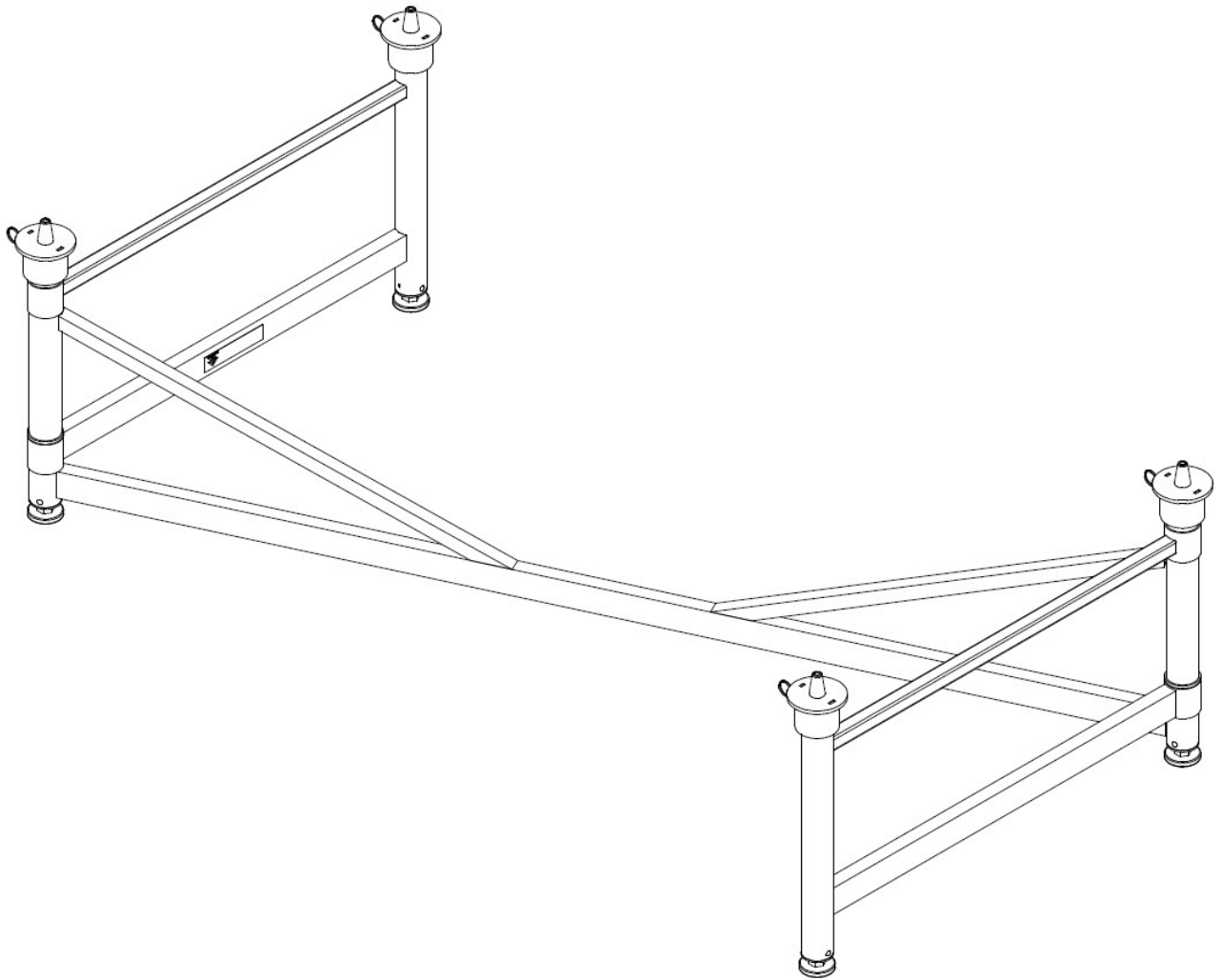
To select stage heights in two inch increments, simply remove the faspins from the leg tubes and then raise or lower the tubes to the desired height. Once the desired height is obtained, re-insert the faspins. If using an even number of decks, two understructures must be next to each other.

8



To level the deck after it has been placed on the ME-1000 Support System, simply raise or lower the adjustable screw feet by threading them in or out. Once the deck has been leveled, go back and tighten down all of the jam nuts on the screw feet to hold that position.

ZHD Structure

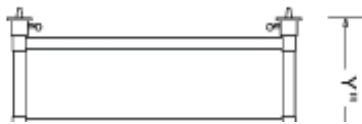


StageRight Corporation Technical Specifications

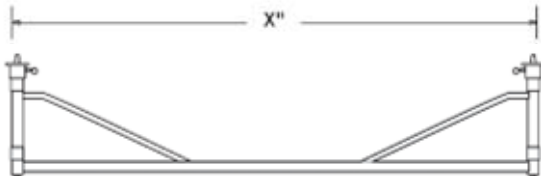
Z - HD Support Systems

	4' x 8'	4' x 6'	4' x 4'	3' x 8'	3' x 6'	2' x 8'		
12" Fixed Height	311010 34 lbs	311610 31 lbs	311410 28 lbs	311510 32 lbs	311310 29 lbs	311210 29 lbs		
16" Fixed Height	311015 36 lbs	311615 33 lbs	311415 30 lbs	311515 34 lbs	311315 31 lbs	311215 31 lbs		
24" Fixed Height	311020 54 lbs	311620 51 lbs	311420 59 lbs	311520 50 lbs	311320 47 lbs	311220 45 lbs		
32" Fixed Height	311025 59 lbs	311625 56 lbs	311425 53 lbs	311525 55 lbs	311325 52 lbs	311225 50 lbs		
40" Fixed Height	311027 64 lbs	311627 61 lbs	311427 58 lbs	311527 60 lbs	311327 57 lbs	311227 55 lbs		
18" - 24" Adjustable Height	311030 58 lbs	311630 55 lbs	311430 52 lbs	311530 54 lbs	311330 51 lbs	311230 49 lbs		
24" - 32" Adjustable Height	311035 63 lbs	311635 60 lbs	311435 57 lbs	311535 59 lbs	311335 56 lbs	311235 54 lbs		
32" - 40" Adjustable Height	311040 68 lbs	311640 65 lbs	311440 62 lbs	311540 64 lbs	311340 61 lbs	311240 59 lbs		
	Single Locator	Dual Locator	Quad Locator	Dual -Dual Locator	Dual-Quad Locator	Tri-Center Locator	Tri-Left Locator	Tri-Right Locator
Part #	314340	314345	314355	314456	314457	314350	314352	314351
Weight	2	3	5	4	6	4	4	4

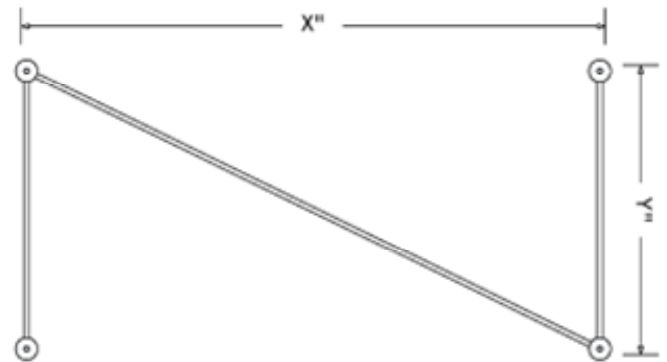
END VIEW: Z - HD Support System



SIDE VIEW: Z - HD Support System



TOP VIEW: Z - HD Support System

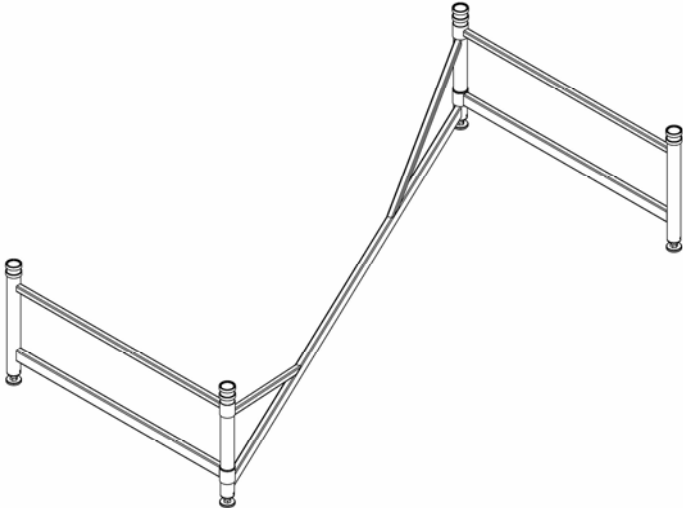


Construction, Finish, and Hardware

- Constructed of ASTM specified steel
- Baked-on powder coat finish.
- Zinc-plated hardware

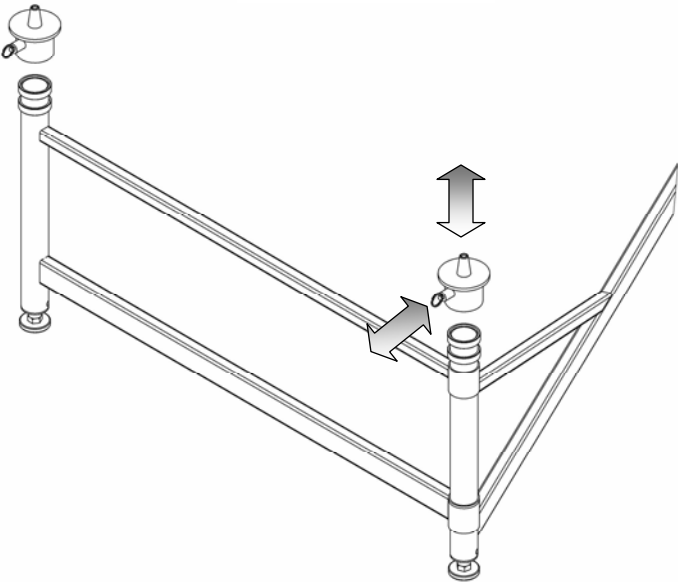
Instructions

1



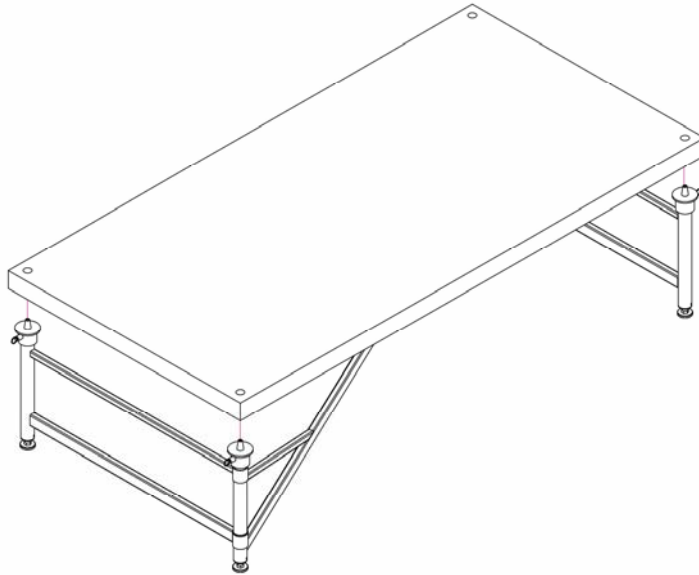
***Note: Two people are required for this assembly.** To begin the setup of your Z-HD support system, rotate the outside legs in opposite directions until the unit can stand freely, creating a Z-shape.

2



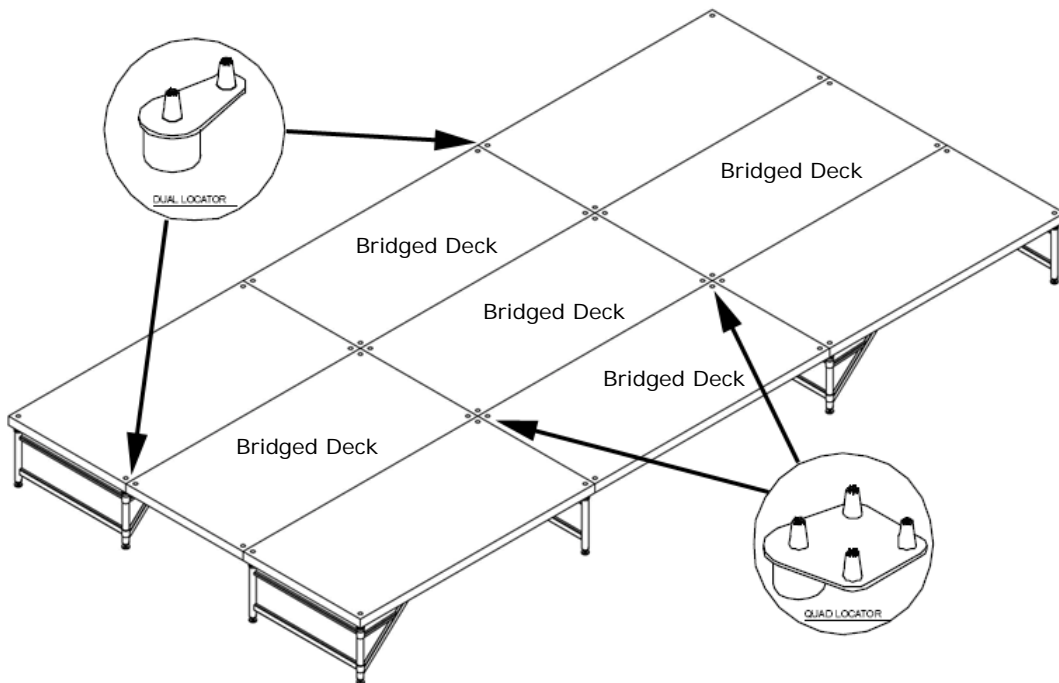
Next place the desired locators on the support system by pulling out on the lock pins and then lowering them onto the upright tubes. Release the pin to engage the locator.

3



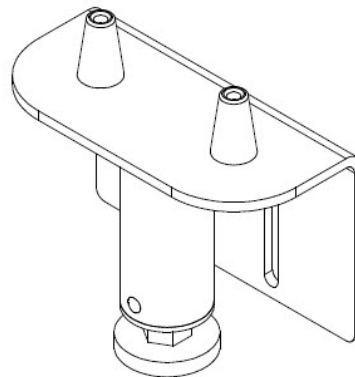
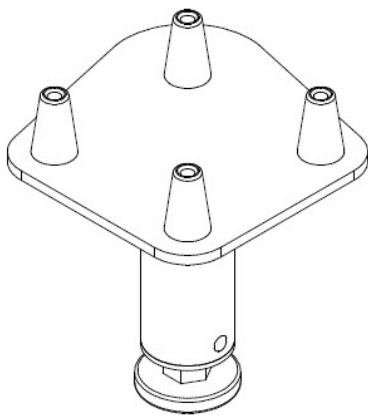
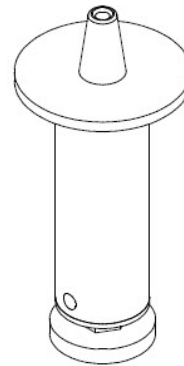
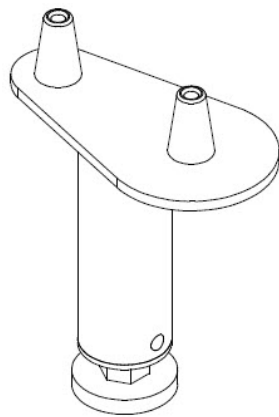
To place the deck on the Z-HD support system, begin by aligning the holes at one end of the deck to the locating nodes at the corresponding end of the support system. Lower the end down. Align the remaining holes of the deck to the support system and lower the deck completely onto the supports. If equipped, the decks can be tied down to the support system by removing the deck plugs and screwing a tie down bolt into the locating node.

4

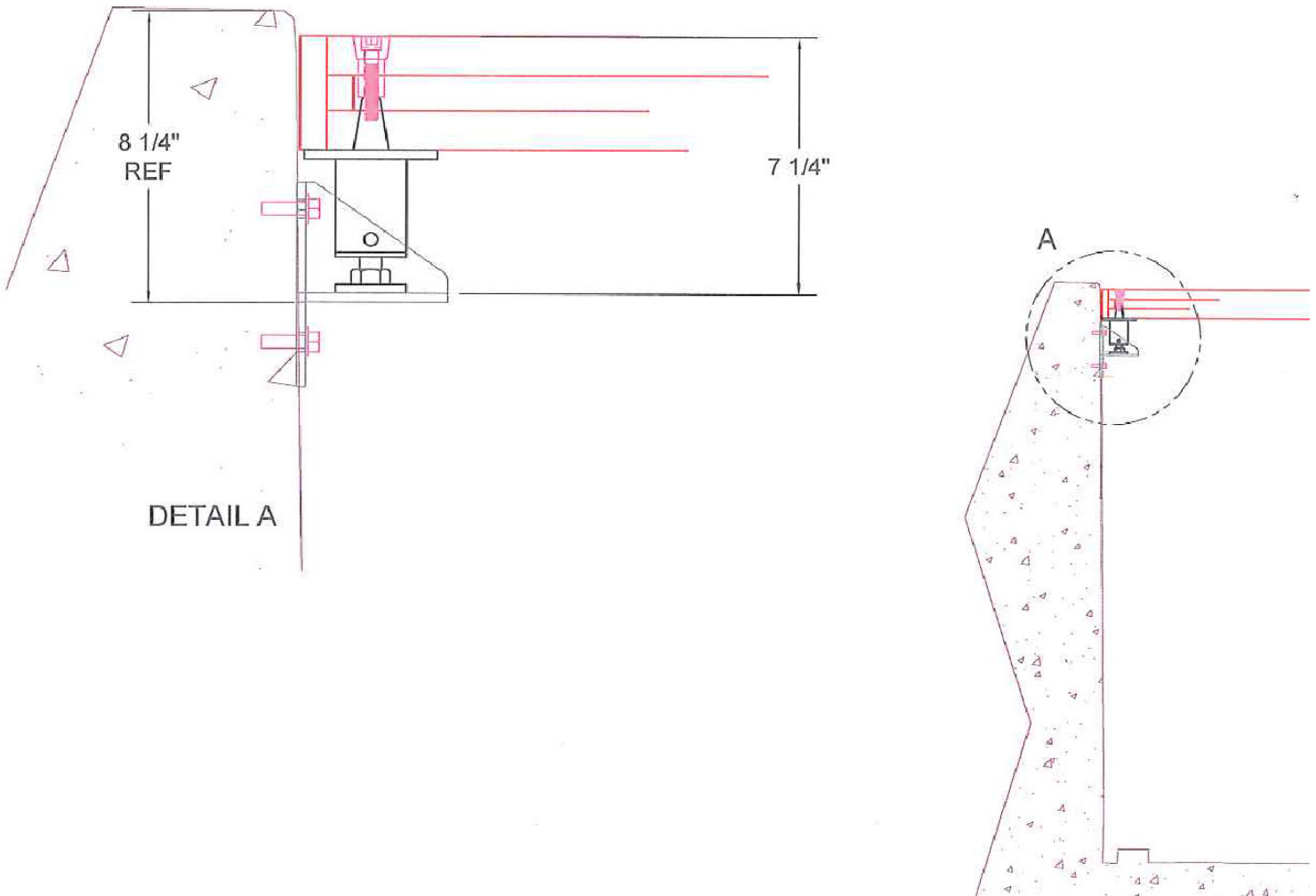


With the correct usage of the deck locators, decks can be bridged between support systems. The 3 x 3 deck arrangement as shown above can be assembled with only four support systems due to bridging decks.

Stub Leg Structure



Stub Leg Detail



A StageRight pit filler system that is designed to sit on angle or wall mount brackets, utilizes stub legs. Typically, the stub legs sit directly on the angle or the wall mount bracket; the use of tie down bolts keeps the legs from shifting in either direction.

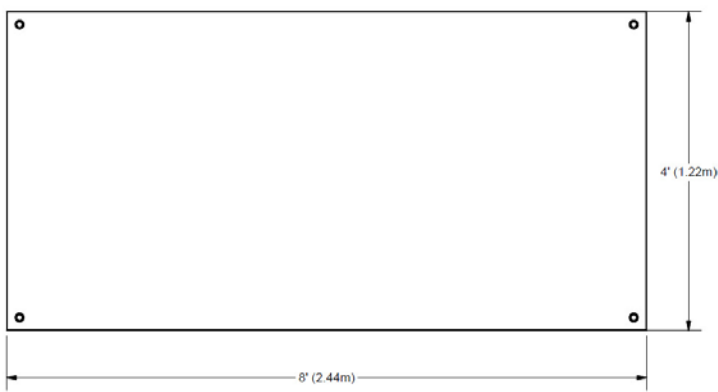
StageRight Corporation Technical Specifications

All Purpose Decks

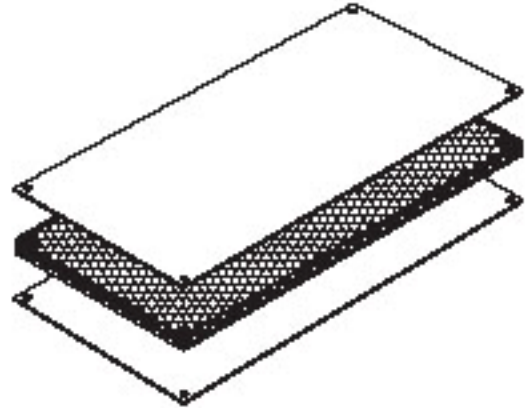
SIDE VIEW



TOP VIEW

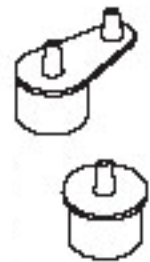


Laminated honeycomb-core construction is rigid yet lightweight.



Conical Locator Nodes

With StageRight's unique locator nodes, decks can be used on several support systems in various configurations. These drawings represent a few locator plate samples



Construction, Finish, and Hardware

- High strength laminate outer layers bonded to a honeycomb core.
- Phenolic-treated cellulose or aluminum honeycomb between solid core fir plywood.
- Custom 6005-T5 extruded aluminum frame members
- Molded corners made of impact resistant injection molded polycarbonate.

Maintenance



WARNING!

Read and Understand All Maintenance Procedures

Failure to follow all procedures listed below may cause serious injury and a decrease in the equipments functional existence.

- **Frequently check to see that all fasteners are properly engaged.**
- **Touch up paint can be used to cover any scratches or blemishes sustained through use.**
- **Replace any damaged equipment with genuine StageRight parts.** Failure to do so may result in unsafe equipment and/or personal injury.

Customer Service

For parts or service contact Stageright Corporation. When ordering parts be sure to provide all relevant information available including the name and part number of the equipment purchased. This information is located on the technical specification page of this product information package. Customer Service hours are Monday thru Friday from 8:00 a.m. to 5:00 p.m. Eastern Standard Time. Customers can phone toll-free at (800) 438-4499 or mail:

StageRight Corporation
495 Pioneer Parkway
Clare, Michigan 48617
www.stageright.com



SET UP IN MINUTES



STURDY, WITH NO TOOLS REQUIRED



UNSURPASSED CUSTOMER SERVICE

StageRight Corporation
495 Pioneer Parkway
Clare, MI 48617
Toll-free: 800-438-4499
Phone: 989-386-7393
Fax: 989-386-3500
Email: info@stageright.com
Web: www.stageright.com