

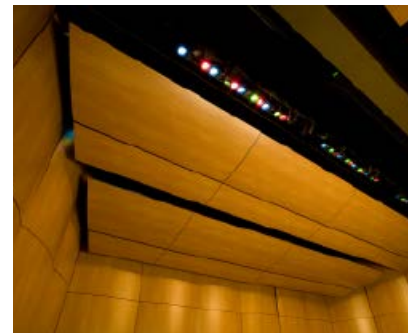
# Opus II Concert Shell

## Product Information Sheet



Bring the elegance  
of a concert hall to  
your multi-purpose  
stage.

The Opus II Concert Shell creates a beautiful acoustical performance space wherever you need it. Choose from over 200 colors and wood grains to create a beautiful concert hall appearance, one that is enhanced by our fastener-free surface and minimal joints. The plastic-laminate surface resists scratching and wipes clean for easy maintenance. Our revolutionary construction and patented tower transport make setup fast and safe. This beautiful system stores compactly - most requiring only the space of a grand piano.



## Features and Benefits

### Acoustical Reflector Panels

- Maximize sound reflection with bowed, structurally laminated stress-skin sandwich panel.
- Save on maintenance as plastic-laminate panel surface resists scratching and wipes clean.
- Complement your performance environment with choice of color or wood grain.
- Surpass typical fire code requirements with Class B rating.
- Enjoy aesthetically pleasing built-in look of the fastener-free surface.

### Tower Hardware

- Perform and work safely as one-piece cast iron counterweight provides tamper-proof stability.
- Save storage space with A-shaped bases that nest compactly.
- Change over safely as self-locking wing braces hold wings securely in locked position.
- Choose the location and quantity of access doors as bracketing is standard equipment on all side towers and wings.
- Protect floors with large, padded, adjustable feet that minimize point load.

### SmartMover™ Transport

- Move and position towers safely because their weight is evenly distributed.
- Save time during setup because orbital zero throw casters facilitate movement in any direction.
- Save time as the accurate alignment system correctly locates tower.
- Save on initial cost as one transport suffices for entire shell system.
- Save on maintenance costs as no load is placed on casters during storage, eliminating flat spots on the casters.

## Technical Specifications

### Function

Movable wall towers and ceiling that reflect a maximum range of audible frequencies.

### Towers

Self-standing, sound-reflecting towers with counter-weighted, nesting bases.

### Ceilings

Suspended from a single pipe batten.

### Installation

Original installation and training shall be by manufacturer.

### Construction

Sound-reflecting Laminated Panel Exposed face: Class B fire-rated high-pressure laminate. Substrate: 1/8" hardboard. Backing: Black, Class B fire-rated. Core: 3/8" cell 80-60-15 impregnated honeycomb. Frame: In-laid metal. Adhesive: High-solid pressure-cured urethane structural adhesive. Shape: 6'0" exterior surface radius. Weight: No less than 2 1/2" lb. per square foot excluding frame weight. Finish: No exposed fasteners in face Matte face finish. Color by owners representative from standard Formica® brand plastic laminate. Edges: Black, anodized aluminum protects edges.

### Tower Hardware

Frame: Modular, 2" O.D. steel tube. Counterweight: cast iron one-piece. Levelers: Acme thread with 3" diameter rubber pad. Finish: Black baked-on powder-coated finish.

### Transport

Lift: Hydraulic, reservoir with remote rams. Casters: Three "zero throw" casters each with five 2 1/2" diameter dual wheel stem casters; load capacity per caster 2,000 pounds. Footprint: 1'0" diameter circle on 10 points each. Frame: Built-in hand welded tubular frame. Finish: Black baked-on powder-coated finish.

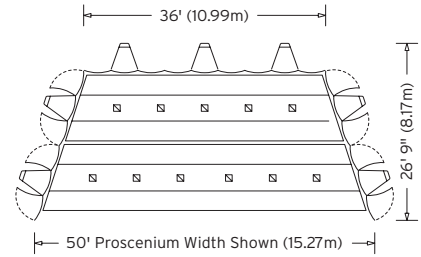
### Ceiling Hardware

Hardware must permit angular adjustment from horizontal plane to 40 degrees. The hardware must also have the capability of locking the panels in a vertical position so that they may be stored on the battens in the stage loft. Maximum storage space required varies from project to project, and will not typically exceed 6" either side of the pipe batten center line when light fixtures are incorporated within the ceilings.

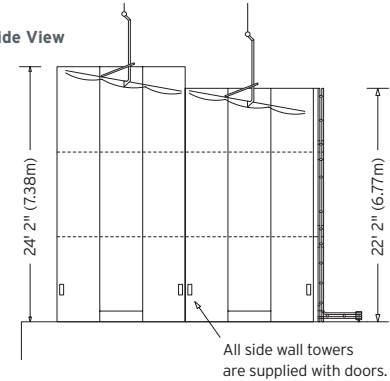
Patents #5,530,211

### Top View

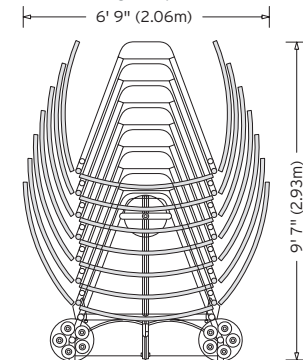
Light fixtures provide 100 foot candles at music stand.



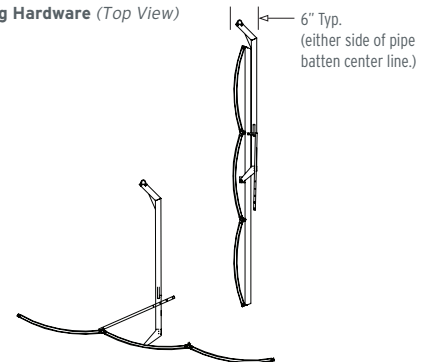
### Side View



### Tower Storage (Top View)



### Ceiling Hardware (Top View)



## Ordering Information

### Opus II Concert Shell

Due to the custom nature of the Opus II Concert Shell, please contact a sales representative to discuss your facility. Our Special Projects Engineers will combine the latest design technology with state-of-the-art manufacturing processes to meet all your unique performance needs.



**STAGERIGHT**