

## Alla Breve Music Shell

## Product Information Sheet



Enhanced sound  
and easy setup  
make this shell a  
top performer.

“Alla Breve” means “cut time”, which is exactly what this self-standing, portable music shell does during setup. This easy-to-handle shell can be rolled into any room and quickly set up to enhance sound. In fact, only one person is required to set it up, because panels glide easily into position with a minimal 15-pound lift effort. Durable, laminated panels reflect a maximum range of audible frequencies to improve the blend and mix of sounds. Performers and audiences alike love the mix and projection of sound enhanced by the Alla Breve Music Shell.



## Features and Benefits

### Tower With Canopy

- Improve sound for both performers and audience with better blend, mix and projection.
- Reflect a maximum range of audible frequencies.
- Reduce maintenance with tough, impact resistant ABS plastic "skin" on rigid 7/8"-thick panels.
- Realize maximum durability with a strong steel frame.
- Special canopy tool not required for canopy set-up

### Counterweight-Pulley Setup

- Save setup time as top panels glide into performance position with minimal, 15-pound lift effort.
- Save labor as only one person (even someone of slight build) is needed to raise or lower the Shell.

### Telescoping Height Adjustment

- Enjoy improved sound in various rooms at any height from 8'4" to 13'3."
- Reduce labor effort as Shell, measuring 79"5" tall in the storage position, will pass through standard doorways.

### Twin Casters

- Save time as shell rolls easily to and from safe-level storage area (if Shell must be lifted, its 256-lb. weight is more easily managed).
- Save labor as only one person is needed to roll shell (when in storage space).

### Nested Storage

- Save space as shells nest compactly in storage (six nested Shells occupy less than 39 square feet).

## Technical Specifications

### Function

Self-standing portable shell shall reflect a maximum range of audible frequencies.

### Size

Shell shall pass through standard doorways in the storage position and range in setup heights from 8'4" to 13'3." It shall be 6'3/8" wide.

### Setup

Shell shall be positioned and setup by one person with no tools or loose parts (a second person to spot ceiling obstructions is recommended). Base shall be fitted with casters making storage truck not necessary. Raising to performance position or lowering to storage position shall require no more than 15 pounds of lift effort.

### Storage

Shells shall nest compactly in storage.

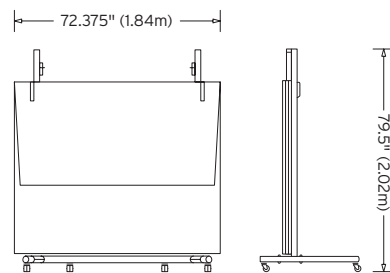
### Panel Construction

Panels shall be a "sandwich" laminate 7/8" thick. Core shall be 3/4" honeycomb. Surfaces shall be .060 ABS plastic in Warm Beige color. Side channel shall be made of custom aluminum channel.

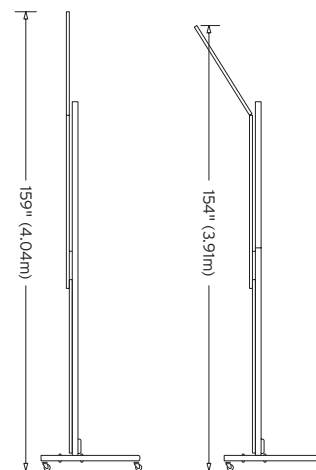
### Frame Construction

Base tube shall be 2" OD EWFC steel. Inner tube shall be 1 3/4" diameter EWFC steel. Outer tube shall be 2" diameter EWFC steel. Weight-assists (two per unit) shall be 30-pound cast gray iron. Pulley cable shall be 3/22" diameter galvanized wire rope. Casters shall be 2" twin 1/2"-13 x 3/4" and rated at 200 pounds each.

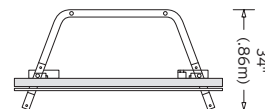
Side View Storage Position



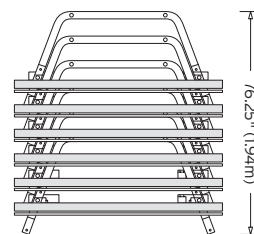
Side View Performance Position



Top View



Top View Nested Storage Position



## Ordering Information

### Alla Breve Music Shell

Parts #	Description	WT.(lbs.)	Shipping Dim.
370102	Warm Beige color	256	48" x 73" x 82"

### Related products include:

- Opus II Acoustical Music Shell
- Alla Breve Choral Riser
- FR-36 Choral Riser