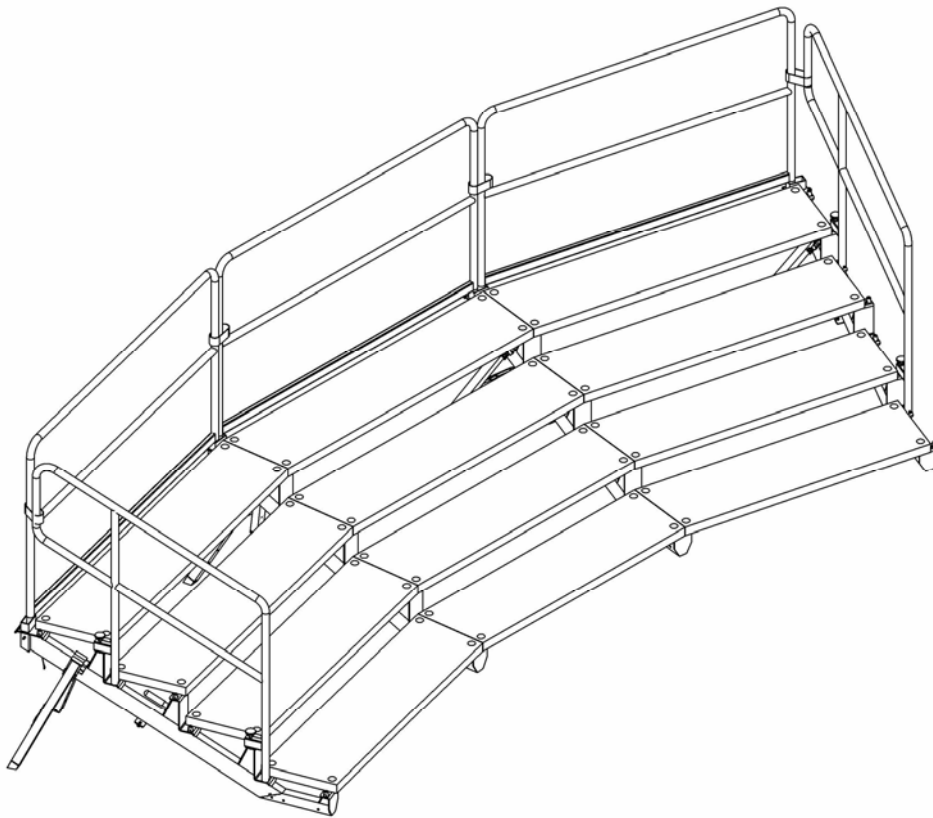




# STAGE RIGHT

## PRODUCT INFORMATION PACKET

PRODUCT NAME: Alla Breve Choral Riser



**KEEP INFORMATION PACKET FOR FUTURE REFERENCE**

# Table of Contents

---

- Introduction.....1
- General Safety Rules.....2
- Symbols.....3
- Technical Specifications.....4
- Instructions.....5
- Maintenance.....7
- Customer Service Information.....7

## Introduction

---

The StageRight Alla Breve Choral Riser has been designed and manufactured with safety, performance and dependability as top priorities, making it easy to operate and maintain.

The care you give your Alla Breve Choral Riser will greatly determine your satisfaction with its performance and service life. Careful study of this manual is encouraged to obtain a thorough understanding of your new Alla Breve Choral Riser and its functions and maintenance.

If your manual becomes lost or destroyed, StageRight will gladly provide you with a new copy. Should you require additional information or assistance, please feel free to contact us at 1-800-438-4499.

BECAUSE STAGERIGHT CORPORATION MAINTAINS AN ONGOING PROGRAM OF PRODUCT DEVELOPMENT AND IMPROVEMENT, WE RESERVE THE RIGHT TO MAKE IMPROVEMENTS IN DESIGN OR CHANGES IN SPECIFICATIONS WITHOUT INCURRING ANY OBLIGATIONS TO INSTALL THEM ON UNITS PREVIOUSLY SOLD.

# General Safety Rules

---



## **WARNING!**

### **READ AND UNDERSTAND ALL INSTRUCTIONS.**


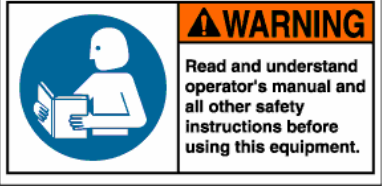

Failure to follow all instructions listed below may result in serious personal injury.

---

## **SAVE THESE INSTRUCTIONS**

- **Stay clear of all pinch points.**
- **Make sure that all fasteners are properly engaged before use.** Faspins, button stops, and jam nuts need to be properly engaged before use.
- **Make sure that all treads are positioned properly onto the support system.**
- **Save these instructions.** Refer to them frequently and use them to instruct others who may use the ALLA BREVE CHORAL RISER.
- **Read the Product Information Packet.** Failure to read the information packet is considered a misuse of this equipment.
- **Become familiar with all caution and warning decals affixed to the support system before use.**
- **Never cover or deface caution/warning labels.**

# Symbols

	<p><b>Safety Alert:</b> Precautions that involve your safety</p>
	<p><b>Read The Operator's Manual:</b> To reduce risk of injury, user must read and understand operator's manual before using this product</p>
	<p><b>Pinch Point Warning Label:</b> Failure to keep hands away from pinch points will result in personal injury</p>

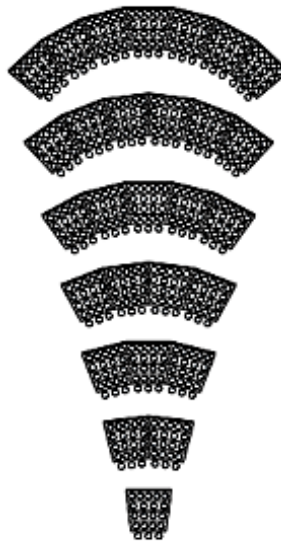
# StageRight Corporation Technical Specifications

## Alla Breve Choral Riser

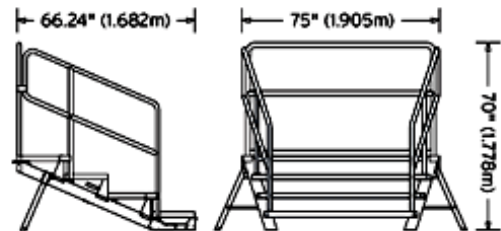
Part #	Description	Weight (lbs)	Shipping Dim.
340068	One Section	274	36"x96"x56"
340069	Two Section	454	36"x96"x56"
340070	Three Section	607	36"x96"x56"
340071	Four Section	833	72"x96"x56"
340072	Five Section	986	72"x96"x56"
340073	Six Section	1166	72"x96"x56"
340074	Seven Section	1365	108"x96"x56"
340113	*Add-On Section	153	36"x72"x13"
<b>ACCESSORIES</b>			
104679	4'8" Back Rail	27	3"x58"x50"
323212	Tie-Down	.5	2"x2"x2"
323210	T-Wrench	1	4"x6"x1"

### SAMPLE CAPACITIES:

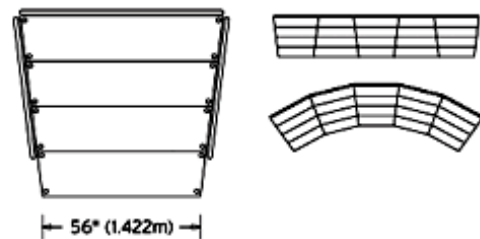
- Seven Sections**  
12'x37'  
(110-140 people)\*
- Six Sections**  
10'4"x33'  
(90-120 people)\*
- Five Sections**  
8'8"x28'  
(75-100 people)\*
- Four Sections**  
7'8"x23' (60-80 people)\*
- Three Sections**  
6'6"x18' (45-60 people)\*
- Two Sections**  
6'x12' (30-40 people)\*
- One Section**  
5'4"x6' (15-20 people)\*



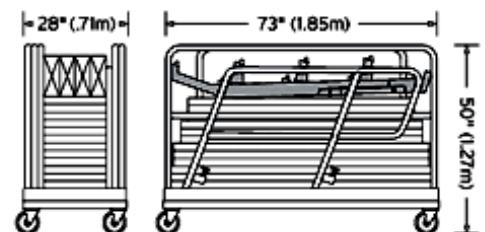
### SIDE VIEW:



### TOP VIEW:



### TRANSPORT: (Each transport holds 3 complete sections)

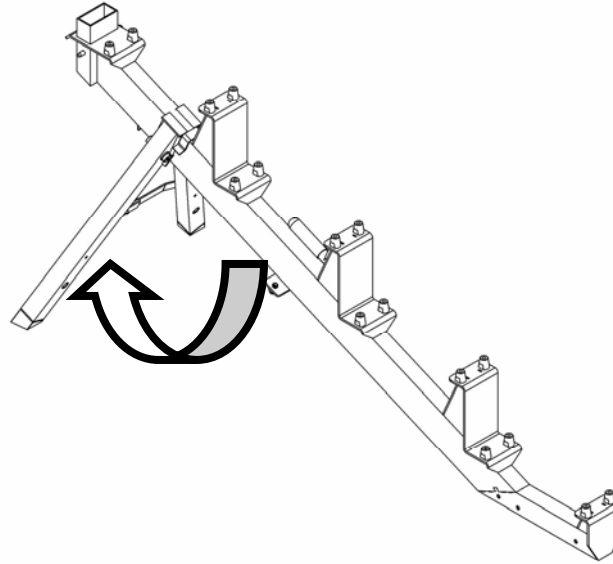


### Construction, Finish, and Hardware

- Constructed of ASTM specified steel
- Baked-on powder coat finish.
- Zinc-plated hardware

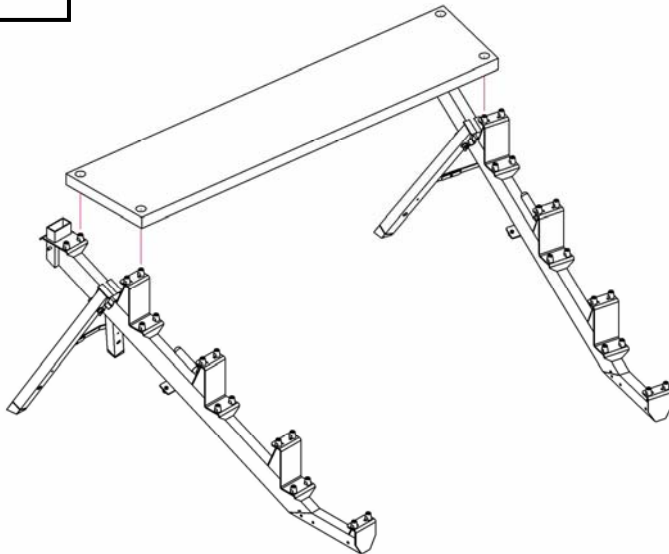
# Instructions

1

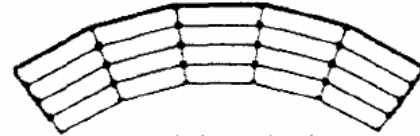


Rotate the legs of the support assembly to their locked out position. The support assembly can now be moved to the desired build location.

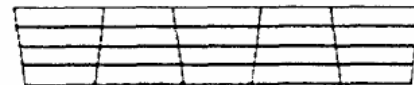
2



## Straight or semicircular alignment



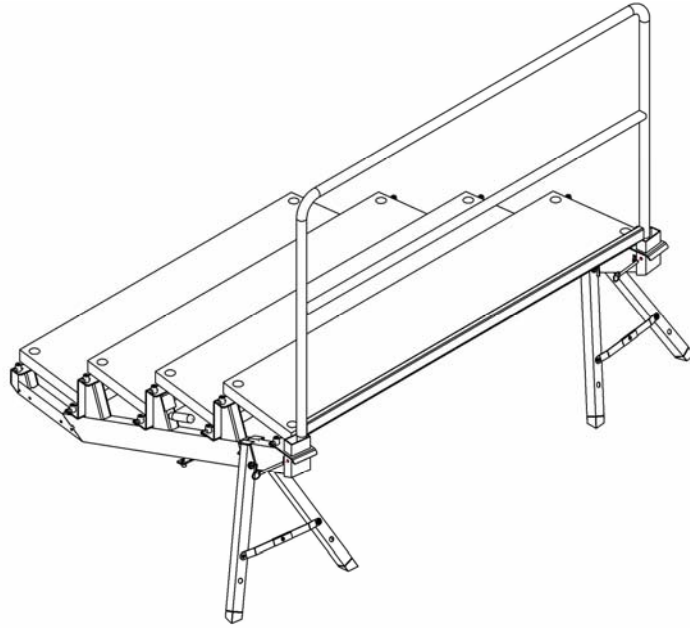
To set up curved, face the longest side of each tread toward the back. Place the longest tread at the back and progressively shorter treads to the front.



For a straight configuration, set up every other section as explained above. On the alternate sections, face the longest side of each tread toward the front. Place the shortest tread at the back and progressively longer treads to the front.

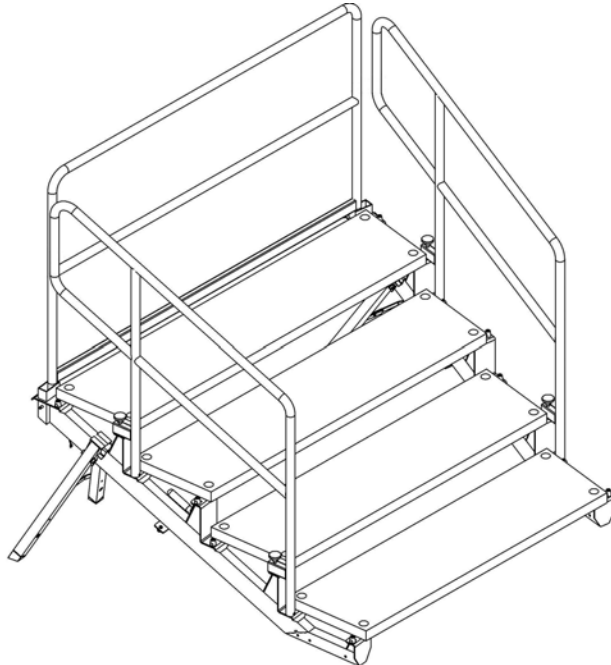
With two support assemblies in place, begin positioning the decks. Align the holes of the deck with the inside locator nodes on the support assembly and then lower into place. It is easiest to start positioning the top level deck and then working down to the bottom level.

3



With all of the decks in place, position the back rail onto the assembly. Align the holes on the back rail to the holes on the support assemblies and lock into place with the supplied quick pin.

4



Attach the side rails by positioning their locking knobs to the outside locator nodes of the support assemblies. With the rails in place turn the knobs to fully lock them into the locator nodes.

# Maintenance

---



## **WARNING!**

### **Read and Understand All Maintenance Procedures**

Failure to follow all procedures listed below may cause serious injury and a decrease in the equipments functional existence.

---

- **Frequently check to see that all fasteners are properly engaged.**
- **Touch up paint can be used to cover any scratches or blemishes sustained through use.**
- **Replace any damaged equipment with genuine StageRight parts.** Failure to do so may result in unsafe equipment and/or personal injury.

# Customer Service

---

For parts or service contact StageRight Corporation. When ordering parts be sure to provide all relevant information available including the name and part number of the equipment purchased. This information is located on the technical specification page of this product information package. Customer Service hours are Monday thru Friday from 8:00 a.m. to 5:00 p.m. Eastern Standard Time. Customers can phone toll-free at (800) 438-4499 or mail:

Stageright Corporation  
495 Pioneer Parkway  
Clare, Michigan 48617  
[www.stageright.com](http://www.stageright.com)





SET UP IN MINUTES



STURDY, WITH NO TOOLS REQUIRED



UNSURPASSED CUSTOMER SERVICE

StageRight Corporation  
495 Pioneer Parkway  
Clare, MI 48617  
Toll-free: 800-438-4499  
Phone: 989-386-7393  
Fax: 989-386-3500  
Email: [info@stageright.com](mailto:info@stageright.com)  
Web: [www.stageright.com](http://www.stageright.com)