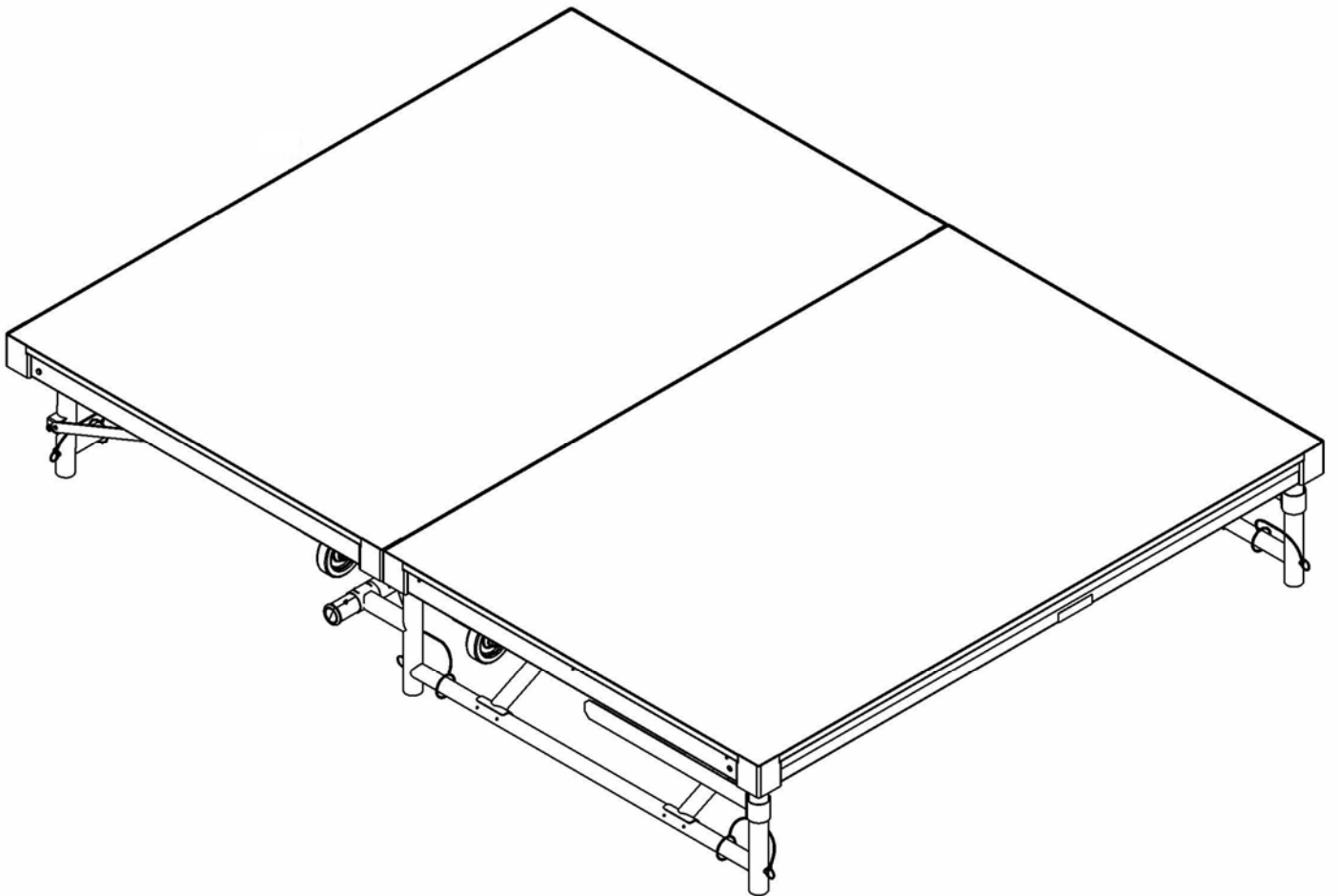




STAGE RIGHT

PRODUCT INFORMATION PACKET

PRODUCT NAME: AlphaRoll Riser



KEEP INFORMATION PACKET FOR FUTURE REFERENCE

Table of Contents

▪ Introduction.....	1
▪ General Safety Rules.....	2
▪ Symbols.....	3
▪ Technical Specifications.....	4
▪ Instructions.....	5
▪ Maintenance.....	8
▪ Customer Service Information.....	8

Introduction

The StageRight AlphaRoll Riser has been designed and manufactured with safety, performance and dependability as top priorities, making it easy to operate and maintain.

The care you give your AlphaRoll Riser will greatly determine your satisfaction with its performance and service life. Careful study of this manual is encouraged to obtain a thorough understanding of your new AlphaRoll Riser and its functions and maintenance.

If your manual becomes lost or destroyed, StageRight will gladly provide you with a new copy. Should you require additional information or assistance, please feel free to contact us at 1-800-438-4499.

BECAUSE STAGERIGHT CORPORATION MAINTAINS AN ONGOING PROGRAM OF PRODUCT DEVELOPMENT AND IMPROVEMENT, WE RESERVE THE RIGHT TO MAKE IMPROVEMENTS IN DESIGN OR CHANGES IN SPECIFICATIONS WITHOUT INCURRING ANY OBLIGATIONS TO INSTALL THEM ON UNITS PREVIOUSLY SOLD.

General Safety Rules



WARNING!


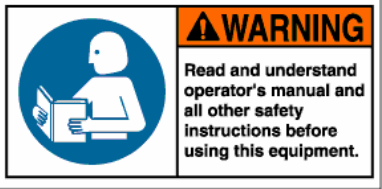

READ AND UNDERSTAND ALL INSTRUCTIONS.

Failure to follow all instructions listed below may result in serious personal injury.

SAVE THESE INSTRUCTIONS

- **Stay clear of all pinch points.**
- **Make sure that all fasteners are properly engaged before use.** Faspins, button stops, and jam nuts need to be properly engaged before use.
- **Make sure that all decks are positioned properly onto the support system.**
- **Save these instructions.** Refer to them frequently and use them to instruct others who may use the AlphaRoll Riser.
- **Read the Product Information Packet.** Failure to read the information packet is considered a misuse of this equipment.
- **Become familiar with all caution and warning decals affixed to the support system before use.**
- **Never cover or deface caution/warning labels.**

Symbols

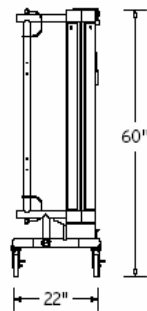
	<p>Safety Alert: Precautions that involve your safety</p>
	<p>Read The Operator's Manual: To reduce risk of injury, user must read and understand operator's manual before using this product</p>
	<p>Pinch Point Warning Label: Failure to keep hands away from pinch points will result in personal injury</p>

StageRight Corporation Technical Specifications

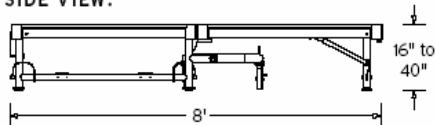
AlphaRoll Riser

Description	AlphaRoll Value Model		AlphaRoll Elite Model		Leg Sets	
	4'x8'	6'x8'	4'x8'	6'x8'		
	360037	360038	360021	360022		
	245 lbs	330 lbs	265 lbs	350 lbs		
16"-24" Dual Height					107041	10 lbs
24"-32" Dual Height					107044	15 lbs
32"-40" Dual Height					107046	25 lbs
18"-24" Dual Height					107042	10 lbs
24"-30" Dual Height					107043	14 lbs
30"-36" Dual Height					107045	25 lbs
16"-24"-32"-40" Quad Height					107600	35 lbs
18"-24"-30"-36" Quad Height					107602	35 lbs

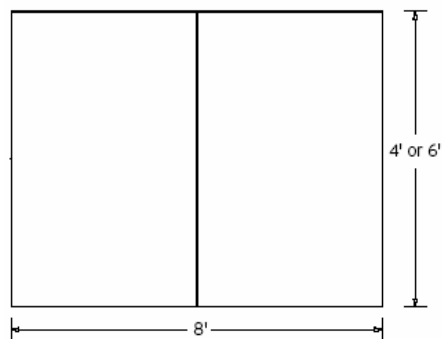
STORAGE POSITION:



SIDE VIEW:



TOP VIEW:

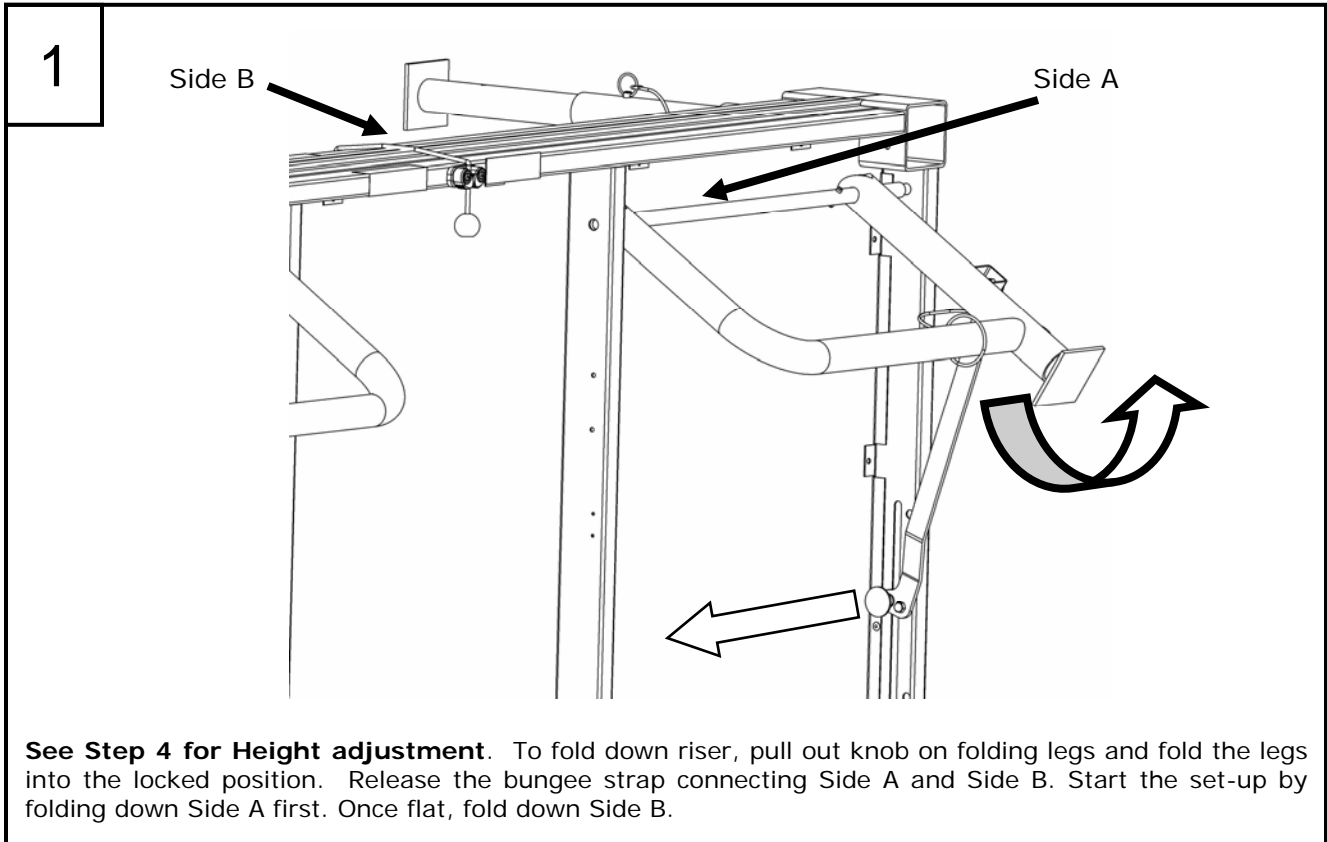


Construction, Finish, and Hardware

- UHMW-PE bushings
- Constructed of ASTM specified steel
- Baked-on powder coat finish.
- Zinc-plated hardware

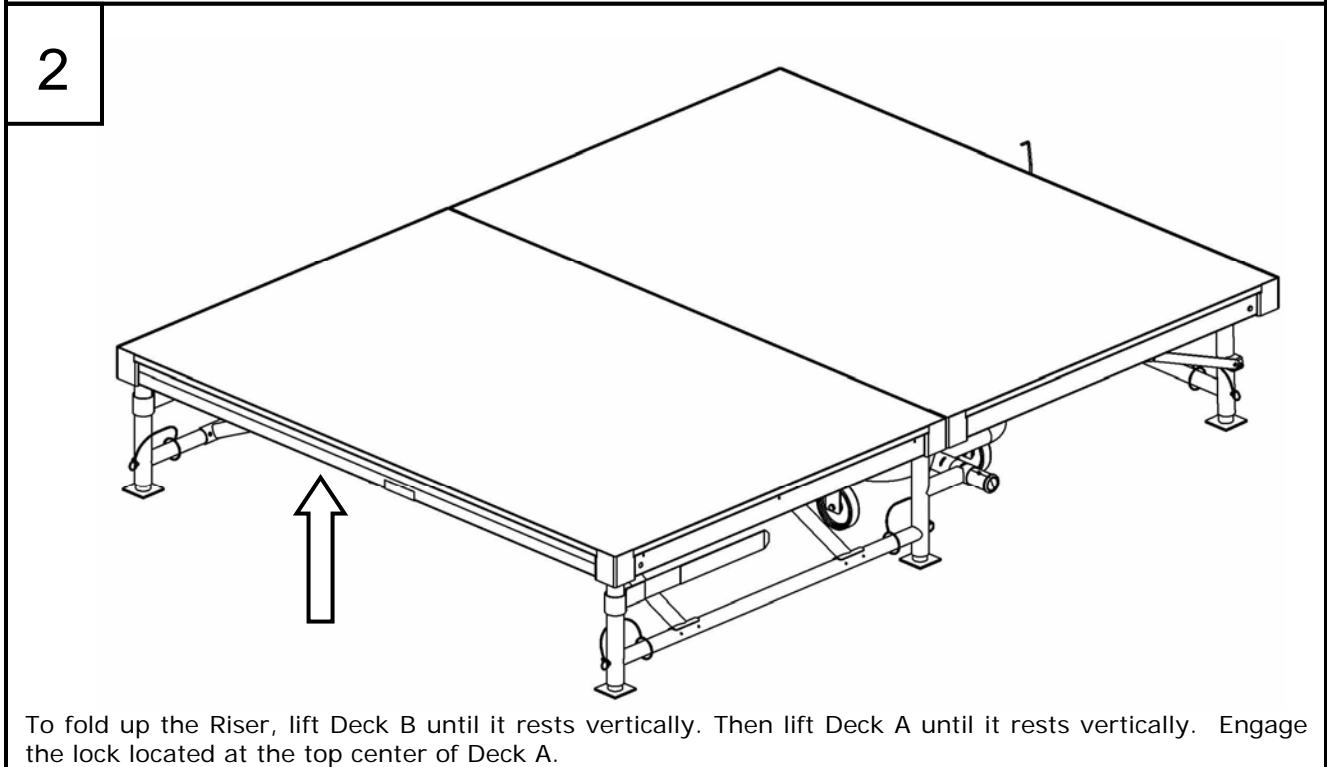
Instructions

1



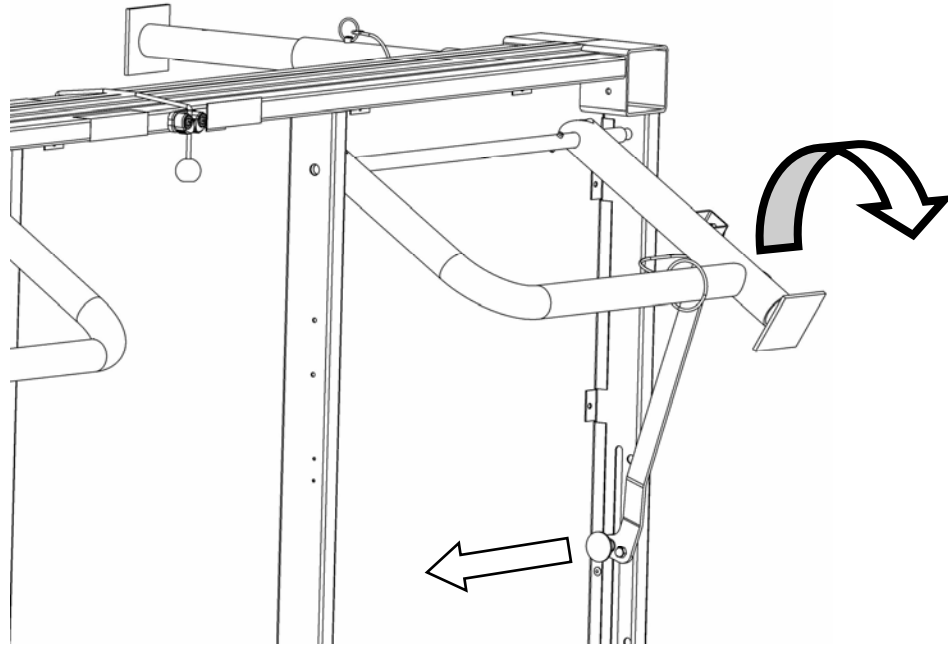
See Step 4 for Height adjustment. To fold down riser, pull out knob on folding legs and fold the legs into the locked position. Release the bungee strap connecting Side A and Side B. Start the set-up by folding down Side A first. Once flat, fold down Side B.

2



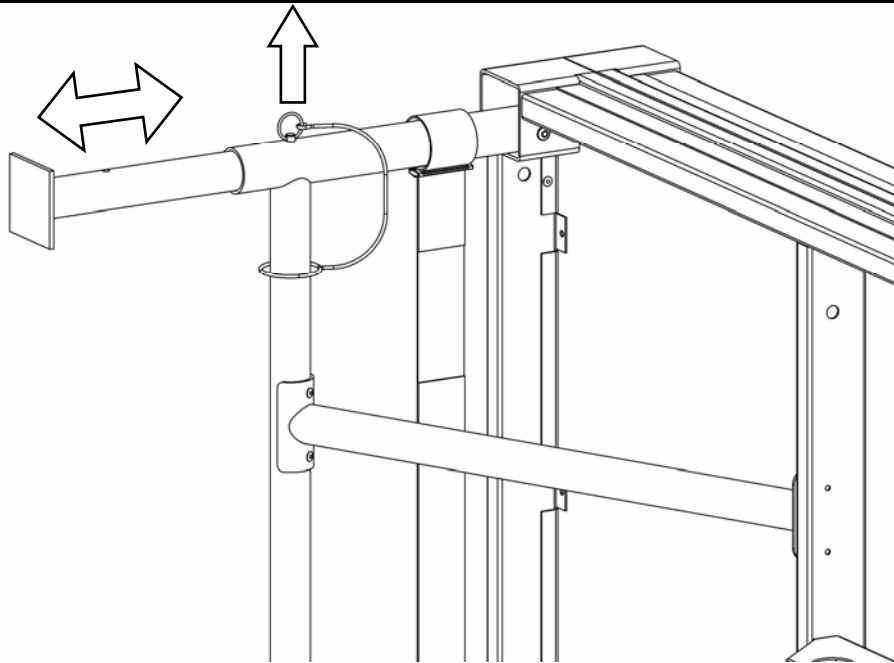
To fold up the Riser, lift Deck B until it rests vertically. Then lift Deck A until it rests vertically. Engage the lock located at the top center of Deck A.

3



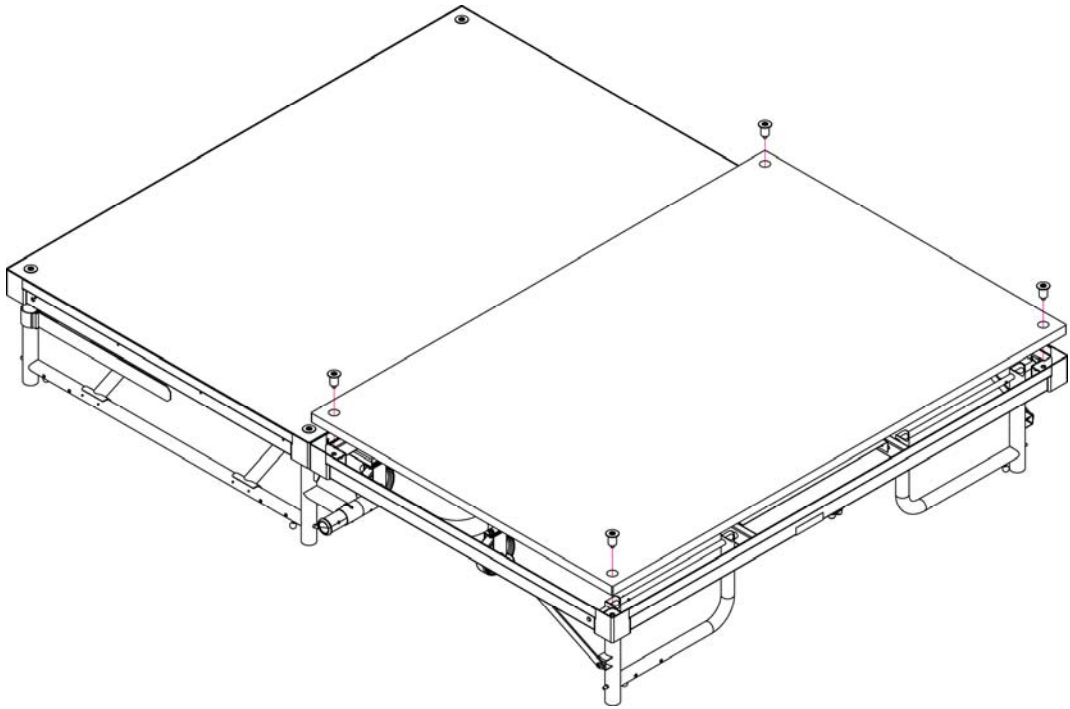
Engage bungee strap and finish putting into storage position by pulling out the knob on each leg and fold them into the locked position.

4



Adjust height or replace leg set with the riser in the transport/storage position. To adjust height, remove faspin, slide adjustable leg into desired position and reinsert faspin. Make sure ALL adjustable legs and center supports are in the same position on the riser before using.

5



To switch deck surface, unbolt the four tie downs holding the deck down, lift the deck, flip, and drop in frame. Insert (4) bolts into deck and tighten.

Maintenance



WARNING!

Read and Understand All Maintenance Procedures

Failure to follow all procedures listed below may cause serious injury and a decrease in the equipments functional existence.

- **Frequently check to see that all fasteners are properly engaged.**
- **Touch up paint can be used to cover any scratches or blemishes sustained through use.**
- **Replace any damaged equipment with genuine StageRight parts.** Failure to do so may result in unsafe equipment and/or personal injury.

Customer Service

For parts or service contact StageRight Corporation. When ordering parts be sure to provide all relevant information available including the name and part number of the equipment purchased. This information is located on the technical specification page of this product information package. Customer Service hours are Monday thru Friday from 8:00 a.m. to 5:00 p.m. Eastern Standard Time. Customers can phone toll-free at (800) 438-4499 or mail:

StageRight Corporation
495 Pioneer Parkway
Clare, Michigan 48617
www.stageright.com



SET UP IN MINUTES



STURDY, WITH NO TOOLS REQUIRED



UNSURPASSED CUSTOMER SERVICE

StageRight Corporation
495 Pioneer Parkway
Clare, MI 48617
Toll-free: 800-438-4499
Phone: 989-386-7393
Fax: 989-386-3500
Email: info@stageright.com
Web: www.stageright.com