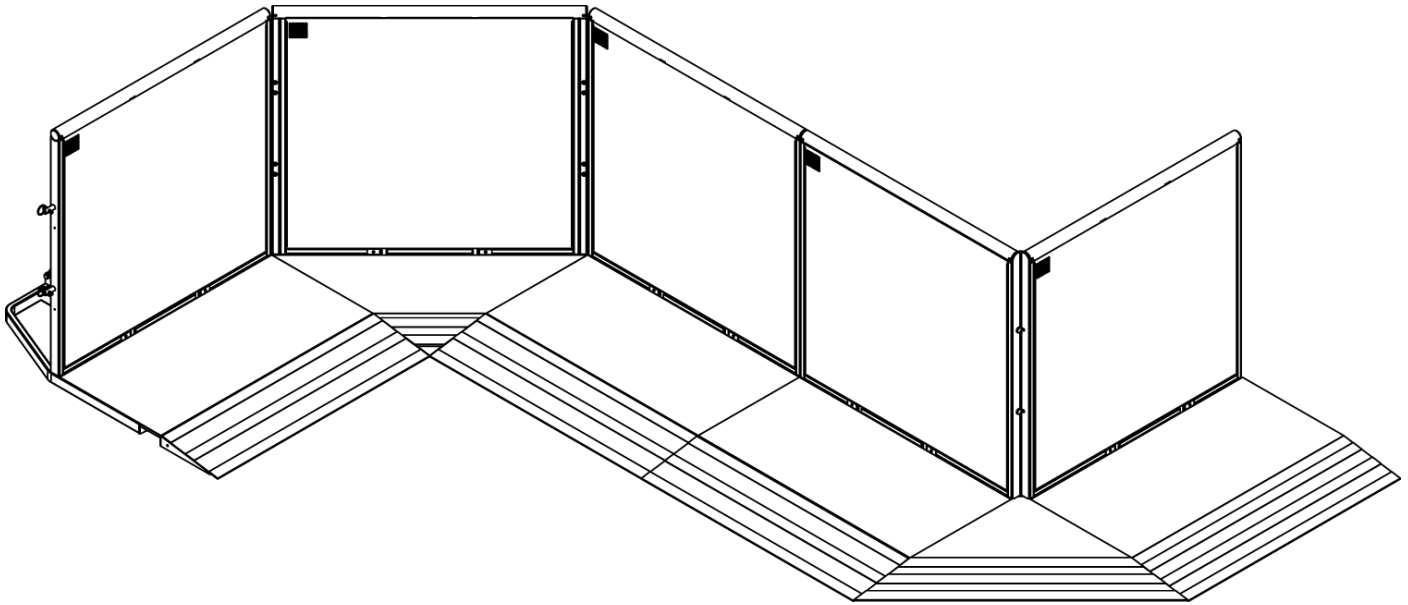




STAGE RIGHT

PRODUCT INFORMATION PACKET

PRODUCT NAME: CC-500 Crowd Control Barrier



KEEP INFORMATION PACKET FOR FUTURE REFERENCE

Table Of Contents

▪ Introduction.....	1
▪ General Safety Rules.....	2
▪ Symbols.....	3
▪ Technical Specifications.....	4
▪ Instructions.....	5
▪ Maintenance.....	8
▪ Customer Service Information.....	8

Introduction

The StageRight CC-500 Crowd Control Barrier has been designed and manufactured with safety, performance and dependability as top priorities, making it easy to operate and maintain.

The care you give your Crowd Control Barrier will greatly determine your satisfaction with its performance and service life. Careful study of this manual is encouraged to obtain a thorough understanding of your new Crowd Control Barrier and its functions and maintenance.

If your manual becomes lost or destroyed, StageRight will gladly provide you with a new copy. Should you require additional information or assistance, please feel free to contact us at 1-800-438-4499.

BECAUSE STAGERIGHT CORPORATION MAINTAINS AN ONGOING PROGRAM OF PRODUCT DEVELOPMENT AND IMPROVEMENT, WE RESERVE THE RIGHT TO MAKE IMPROVEMENTS IN DESIGN OR CHANGES IN SPECIFICATIONS WITHOUT INCURRING ANY OBLIGATIONS TO INSTALL THEM ON UNITS PREVIOUSLY SOLD.

General Safety Rules



WARNING!


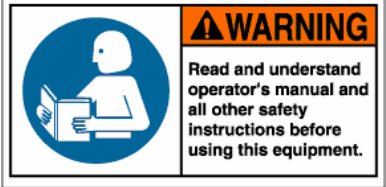

READ AND UNDERSTAND ALL INSTRUCTIONS.

Failure to follow all instructions listed below may result in serious personal injury.

SAVE THESE INSTRUCTIONS

- **Stay clear of all pinch points.**
- **Make sure that all fasteners are properly engaged before use.** Faspins, button stops, and jam nuts need to be properly engaged before use.
- **Setup Barricades on level surface.**
- **Save this manual.** Refer to it frequently and use it to instruct others who may use the Crowd Control Barrier
- **Read the Product Information Packet.** Failure to read the information packet is considered a misuse of this equipment.
- **Become familiar with all caution and warning decals affixed to the staging equipment before use.**
- **Never cover or deface caution/warning labels.**

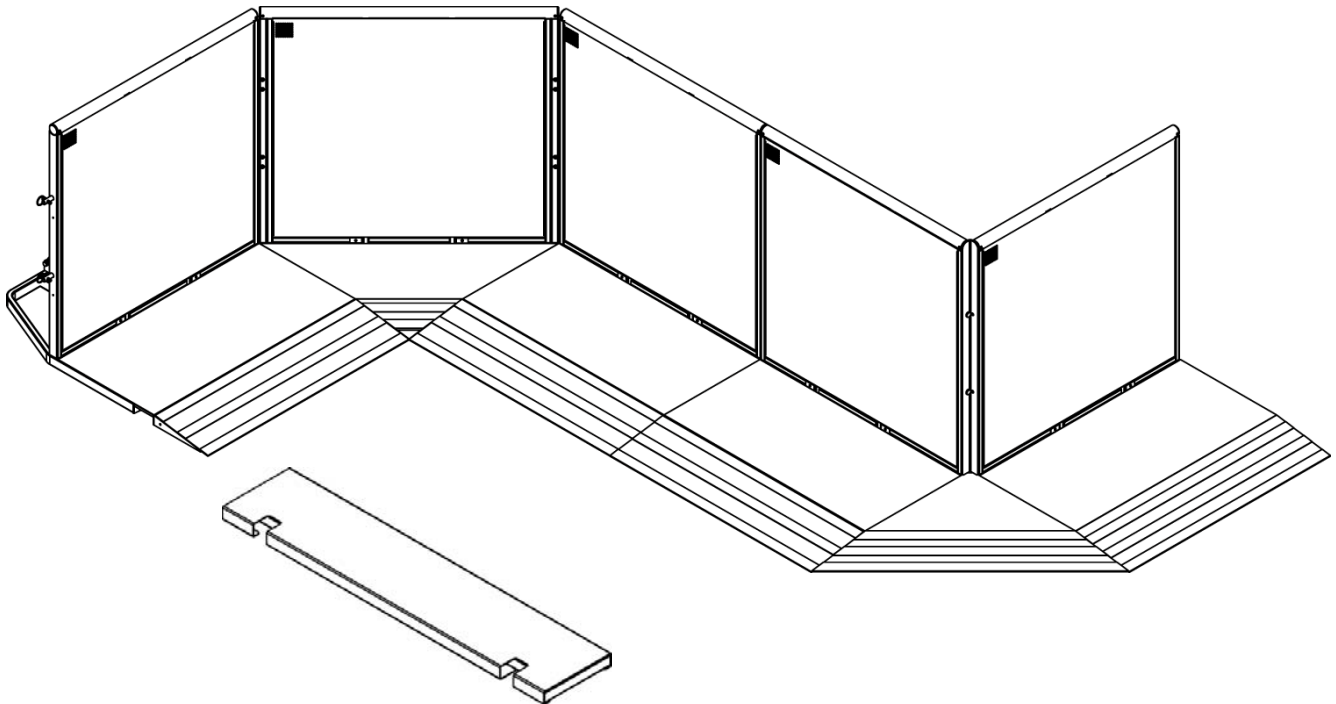
Symbols

	<p>Safety Alert: Precautions that involve your safety</p>
	<p>Read The Operator's Manual: To reduce risk of injury, user must read and understand operator's manual before using this product</p>
	<p>Pinch Point Warning Label: Failure to keep hands away from pinch points will result in personal injury</p>

StageRight Corporation Technical Specifications

CC-500 Crowd Control Barrier

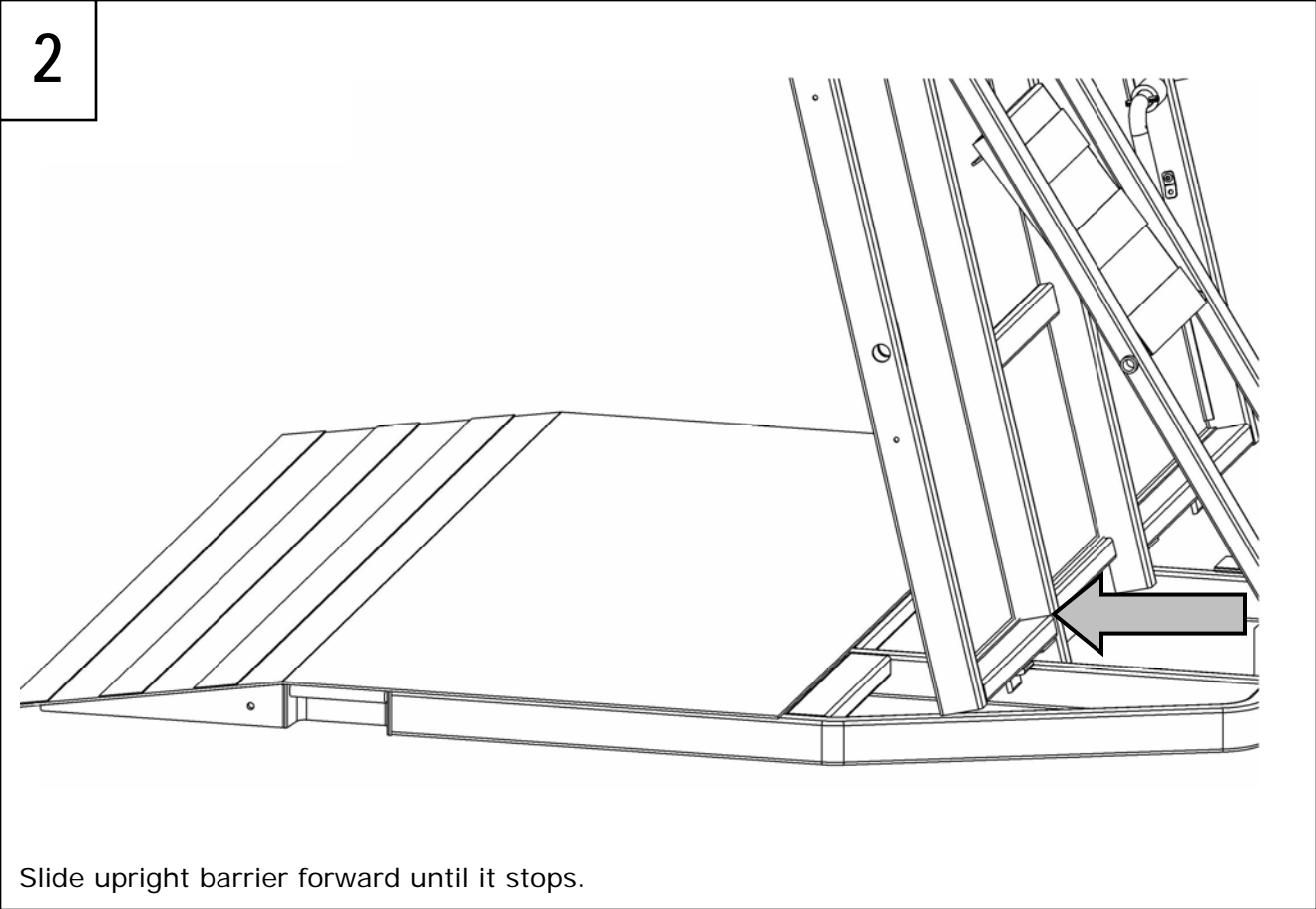
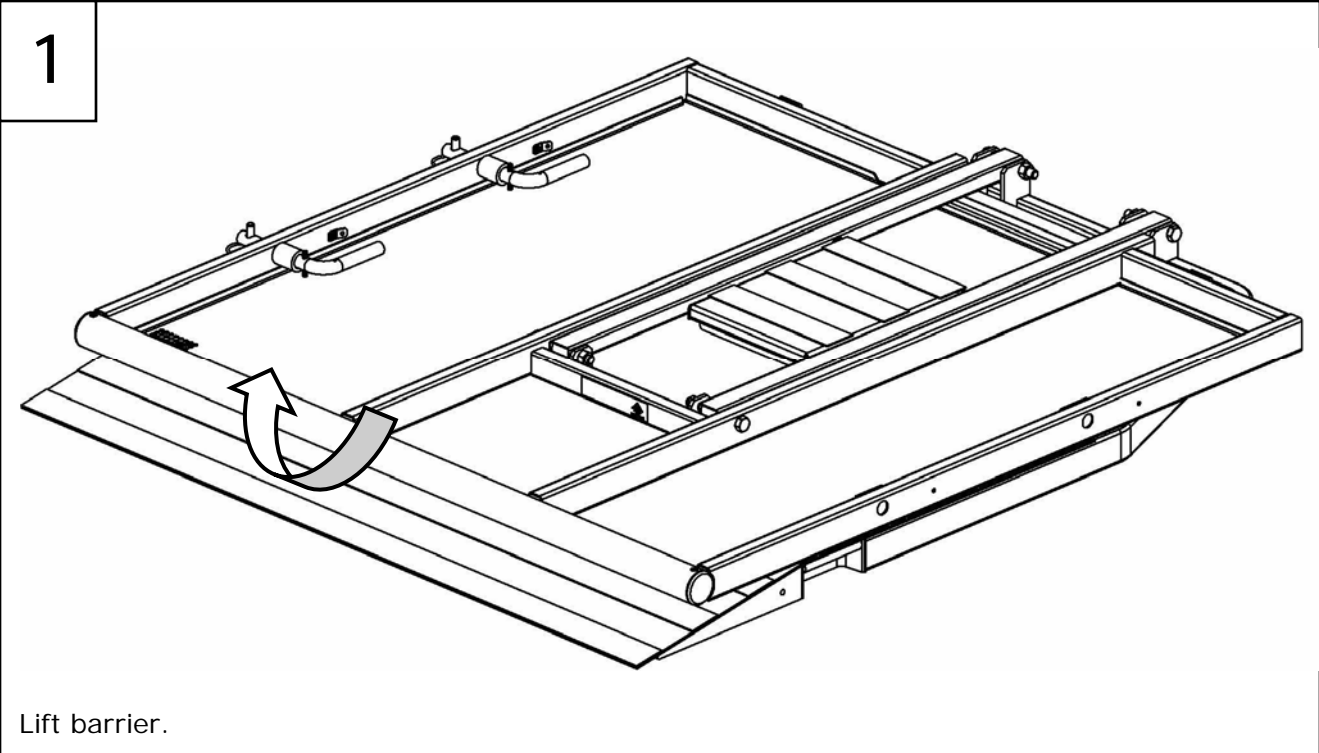
Part #	Description	Weight (lbs)
107271	CC-500 Step Extender	11
320600	CC-500 Barrier	215
340114	Transport	225
360137	CC-500 Inside Wedge	189
360138	Outside Corner Right	212
360139	Outside Corner Left	213
360140	CC-500 Outside Wedge	50



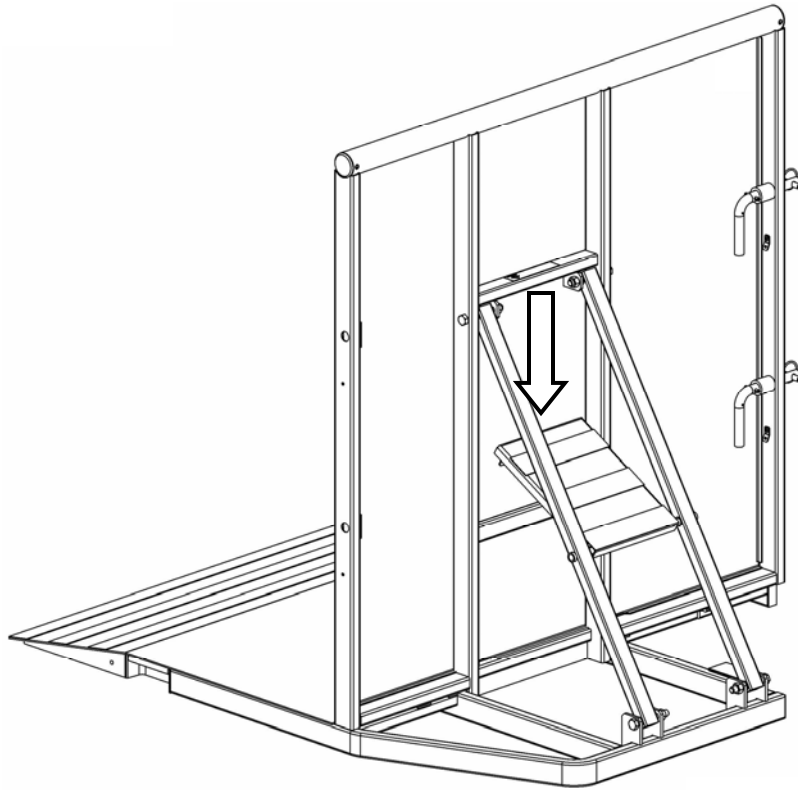
Construction, Finish, and Hardware:

- Constructed of ASTM specified steel
- Baked-on powder coat finish.
- Zinc-plated hardware

Instructions

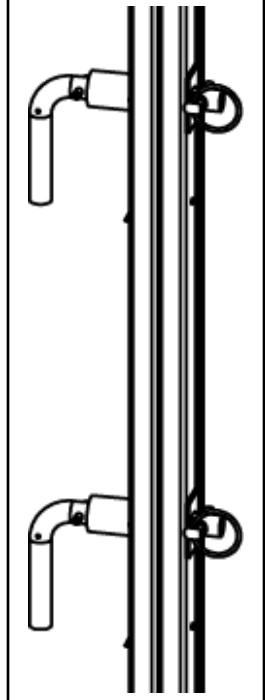
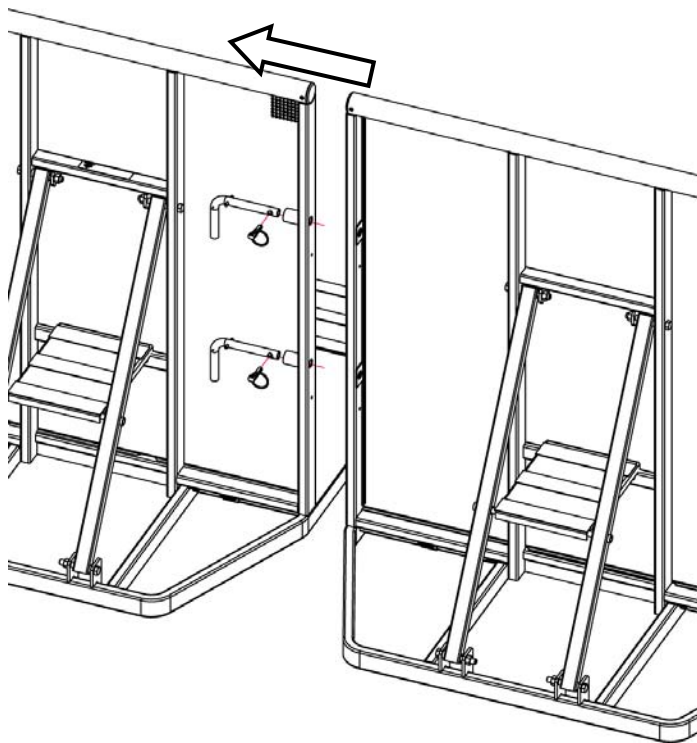


3



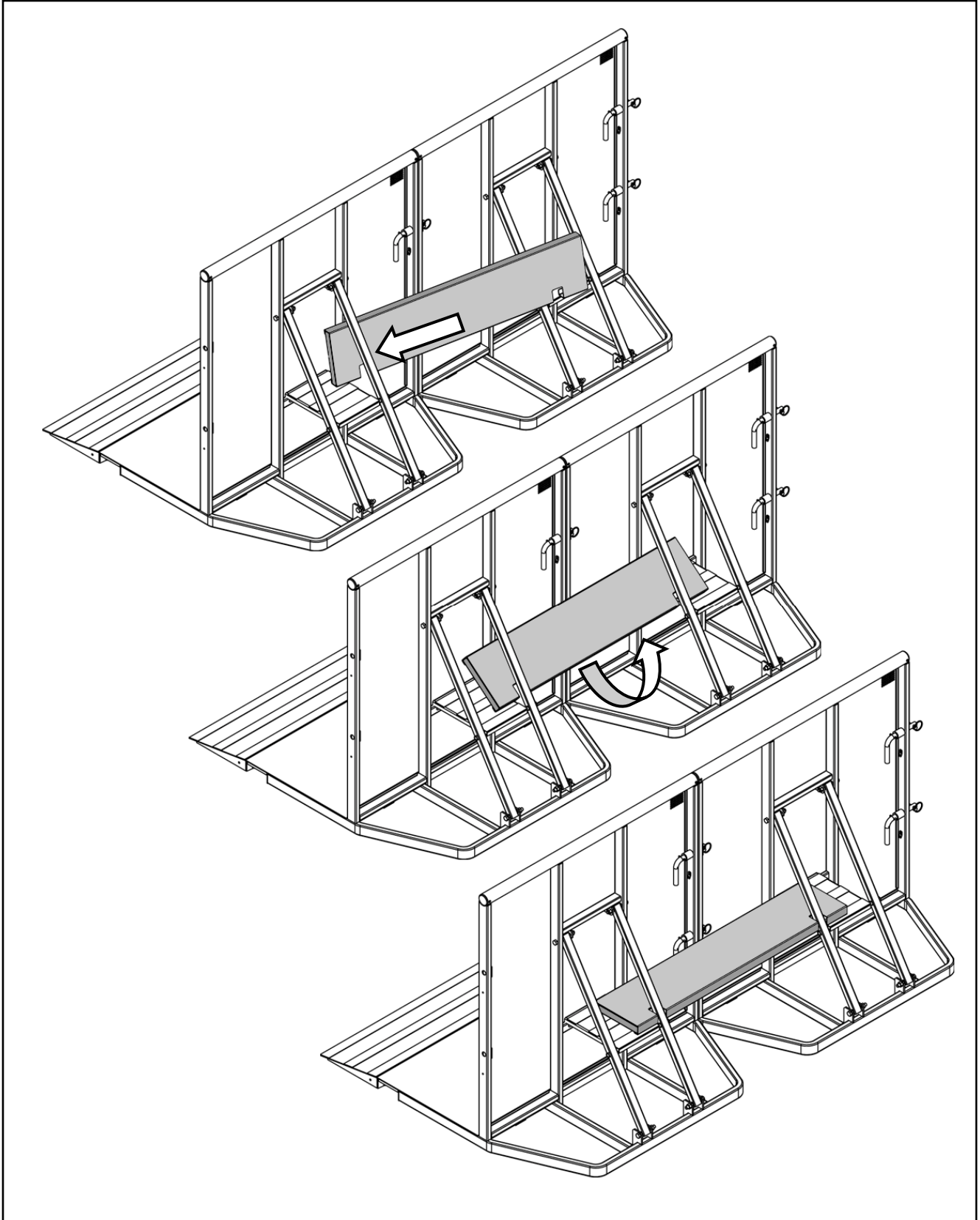
Lower step until it rests horizontally and is locked in place.

4



To attach barriers to each other, pull faspins, slide barriers together, push lock bars through holes, and reinsert faspins.

Optional Step Extension Installation



Maintenance



WARNING!

Read and Understand All Maintenance Procedures

Failure to follow all procedures listed below may cause serious injury and a decrease in the equipments functional existence.

- **Frequently check to see that all fasteners are securely engaged.**
- **A silicone based lubricant may be used on moving parts to maintain proper function.**
- **Replace any damaged equipment with genuine StageRight parts.** Failure to do so may result in unsafe equipment and/or personal injury.

Customer Service

For parts or service contact Stageright Corporation. When ordering parts be sure to provide all relevant information available including the name and part number of the equipment purchased. This information is located on the technical specification page of this product information package. Customer Service hours are Monday thru Friday from 8:00 a.m. to 5:00 p.m. Eastern Standard Time. Customers can phone toll-free at (800) 438-4499 or mail:

StageRight Corporation
495 Pioneer Parkway
Clare, Michigan 48617
www.stageright.com



SET UP IN MINUTES



STURDY, WITH NO TOOLS REQUIRED



UNSURPASSED CUSTOMER SERVICE

StageRight Corporation
495 Pioneer Parkway
Clare, MI 48617
Toll-free: 800-438-4499
Phone: 989-386-7393
Fax: 989-386-3500
Email: info@stageright.com
Web: www.stageright.com