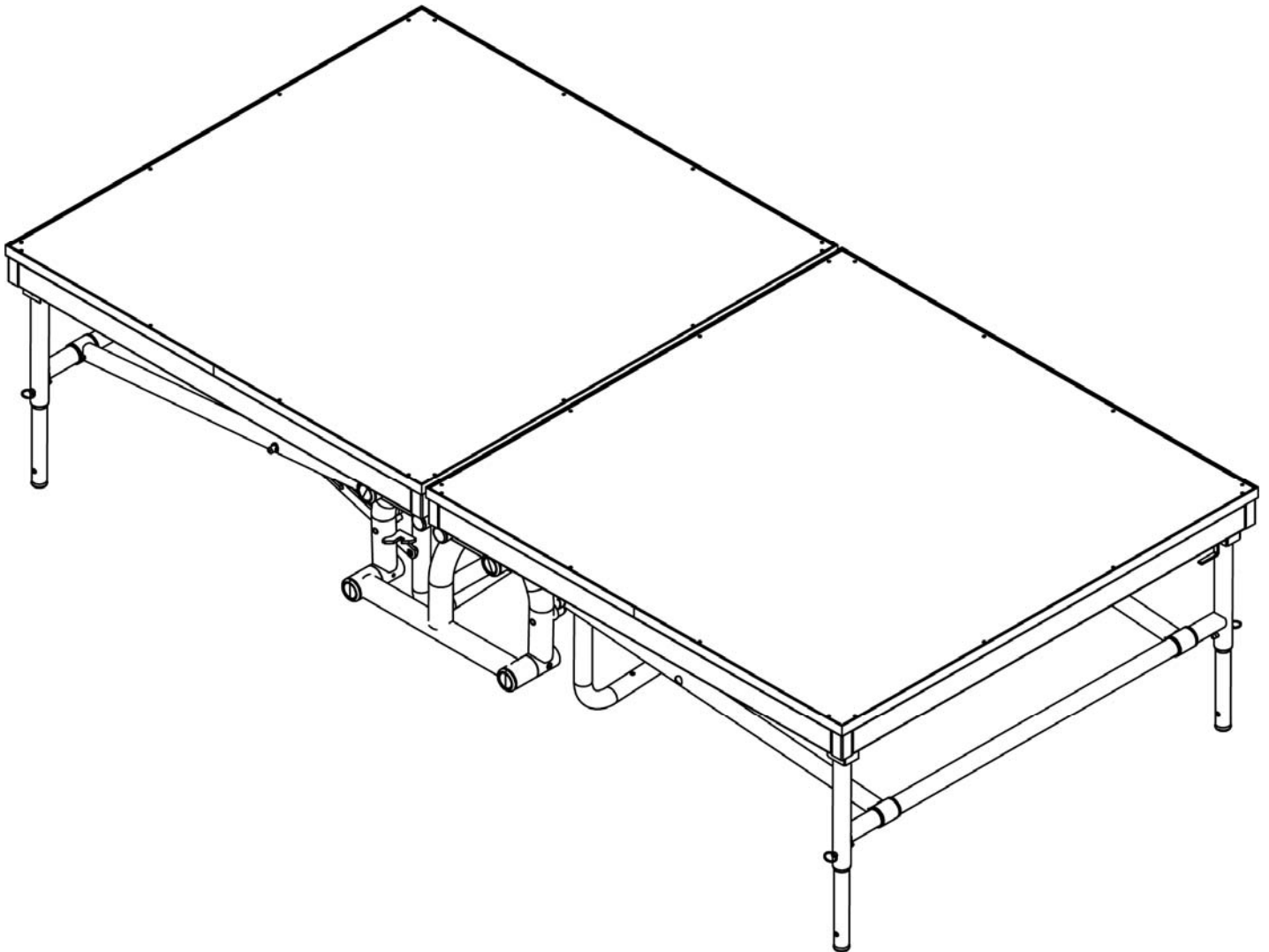




# STAGE RIGHT

## PRODUCT INFORMATION PACKET

PRODUCT NAME: FR-Series Fold & Roll Risers



**KEEP INFORMATION PACKET FOR FUTURE REFERENCE**

# Table of Contents

---

▪ Introduction.....	1
▪ General Safety Rules.....	2
▪ Symbols.....	3
▪ Technical Specifications.....	4
▪ Instructions.....	5
▪ Maintenance.....	9
▪ Customer Service Information.....	9

## Introduction

---

The StageRight FR-Series Fold & Roll Risers have been designed and manufactured with safety, performance and dependability as top priorities, making it easy to operate and maintain.

The care you give your FR-Series Fold & Roll Riser will greatly determine your satisfaction with its performance and service life. Careful study of this manual is encouraged to obtain a thorough understanding of your new FR-Series Fold & Roll Riser and its functions and maintenance.

If your manual becomes lost or destroyed, StageRight will gladly provide you with a new copy. Should you require additional information or assistance, please feel free to contact us at 1-800-438-4499.

BECAUSE STAGERIGHT CORPORATION MAINTAINS AN ONGOING PROGRAM OF PRODUCT DEVELOPMENT AND IMPROVEMENT, WE RESERVE THE RIGHT TO MAKE IMPROVEMENTS IN DESIGN OR CHANGES IN SPECIFICATIONS WITHOUT INCURRING ANY OBLIGATIONS TO INSTALL THEM ON UNITS PREVIOUSLY SOLD.

# General Safety Rules

---



## **WARNING!**

### **READ AND UNDERSTAND ALL INSTRUCTIONS.**


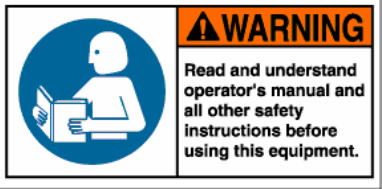

Failure to follow all instructions listed below may result in serious personal injury.

---

## **SAVE THESE INSTRUCTIONS**

- **Stay clear of all pinch points.**
- **Make sure that all fasteners are properly engaged before use.** Quick pins, button stops, and jam nuts need to be properly engaged before use.
- **Make sure that all decks are positioned properly onto the support system.**
- **Save these instructions.** Refer to them frequently and use them to instruct others who may use the FR-Series Fold & Roll Riser.
- **Read the Product Information Packet.** Failure to read the information packet is considered a misuse of this equipment.
- **Become familiar with all caution and warning decals affixed to the support system before use.**
- **Never cover or deface caution/warning labels.**

# Symbols

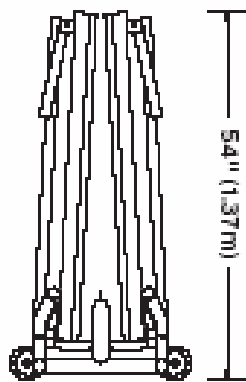
	<p><b>Safety Alert:</b> Precautions that involve your safety</p>
	<p><b>Read The Operator's Manual:</b> To reduce risk of injury, user must read and understand operator's manual before using this product</p>
	<p><b>Pinch Point Warning Label:</b> Failure to keep hands away from pinch points will result in personal injury</p>

# StageRight Corporation Technical Specifications

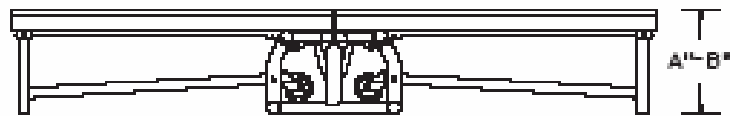
## FR-Series Fold & Roll Riser

Description	PART #					
	(FR-2402)		PolyTrac (FR-2403) & Gray Carpet		TechStage (FR-2404) & Gray Carpet	
	4'x8'	6'x8'	4'x8'	6'x8'	4'x8'	6'x8'
8" Fixed Height	N/A	N/A	305300	305310	305400	305410
16" Fixed Height	305201	305211	305301	305311	305401	305411
24" Fixed Height	305202	305212	305302	305312	305402	305412
32" Fixed Height	305203	305213	305303	305313	305403	305413
16-24" Dual Height	305205	305215	305305	305315	305405	305415
24-32" Dual Height	305206	305216	305306	305316	305406	305416
32-40" Dual Height	305207	305217	305307	305317	305407	305417

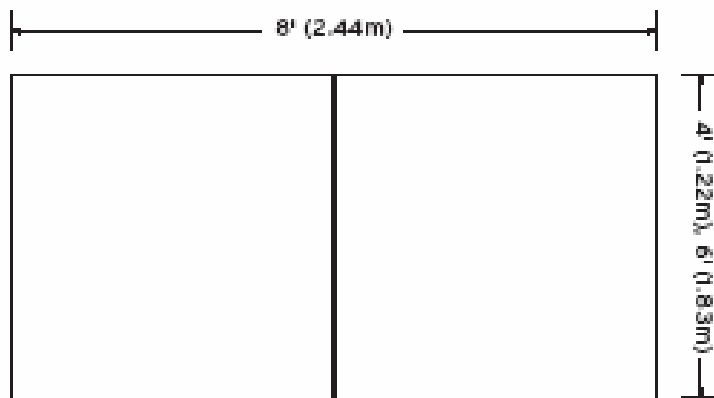
Side View Storage Position



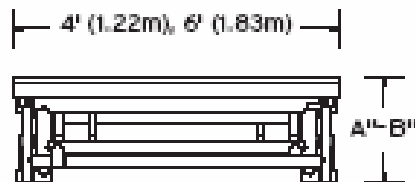
Side View Assembled Position



Top View



End View Assembled Position

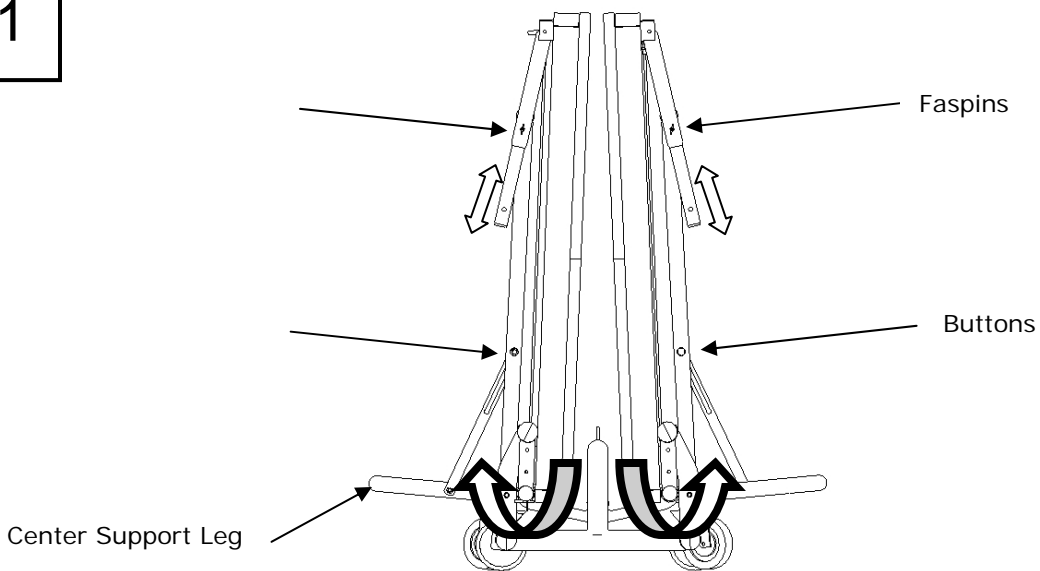


### Construction, Finish, and Hardware

- Constructed of ASTM specified steel
- Baked-on powder coat finish.
- Zinc-plated hardware

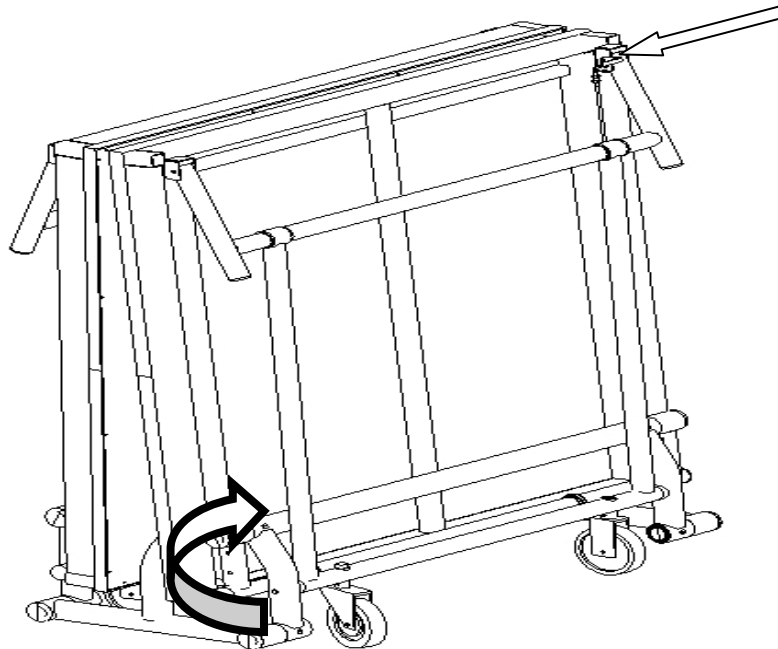
# Instructions

1



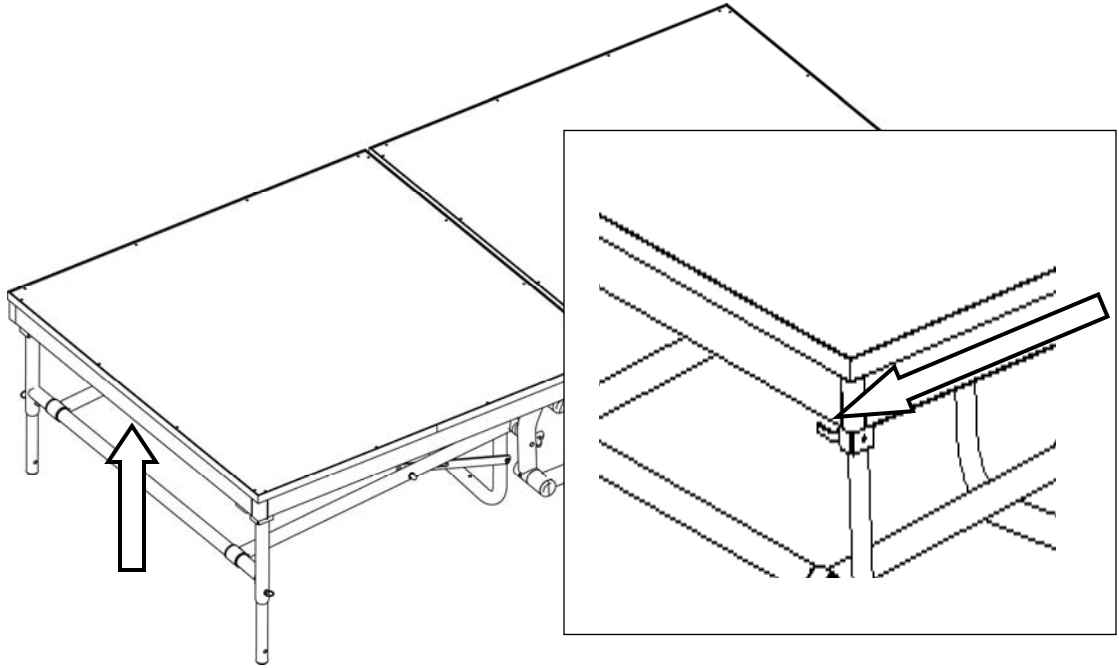
On the dual height riser, adjust height with the riser in the transport/storage position. To adjust height, pull faspin, slide adjustable leg to desired position. Re-insert faspin. Also, press locking buttons, rotate center leg support into desired position, making sure button re-snaps. Make sure ALL adjustable legs and center supports are in the same position before riser use.

2



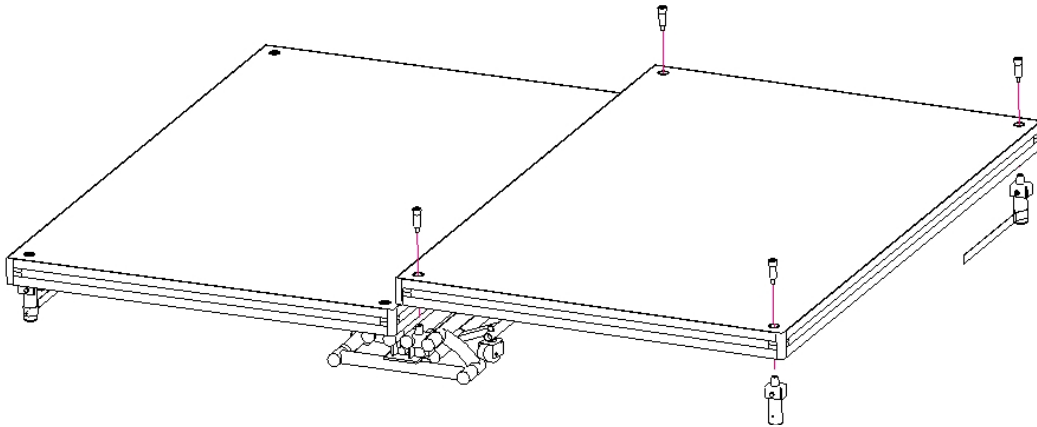
To fold down riser, pull lever, rotate deck until it snaps into open position. Repeat for other side.

3



To fold up the Riser, push the lever, and lift on the deck. Lift until deck snaps into transport position.

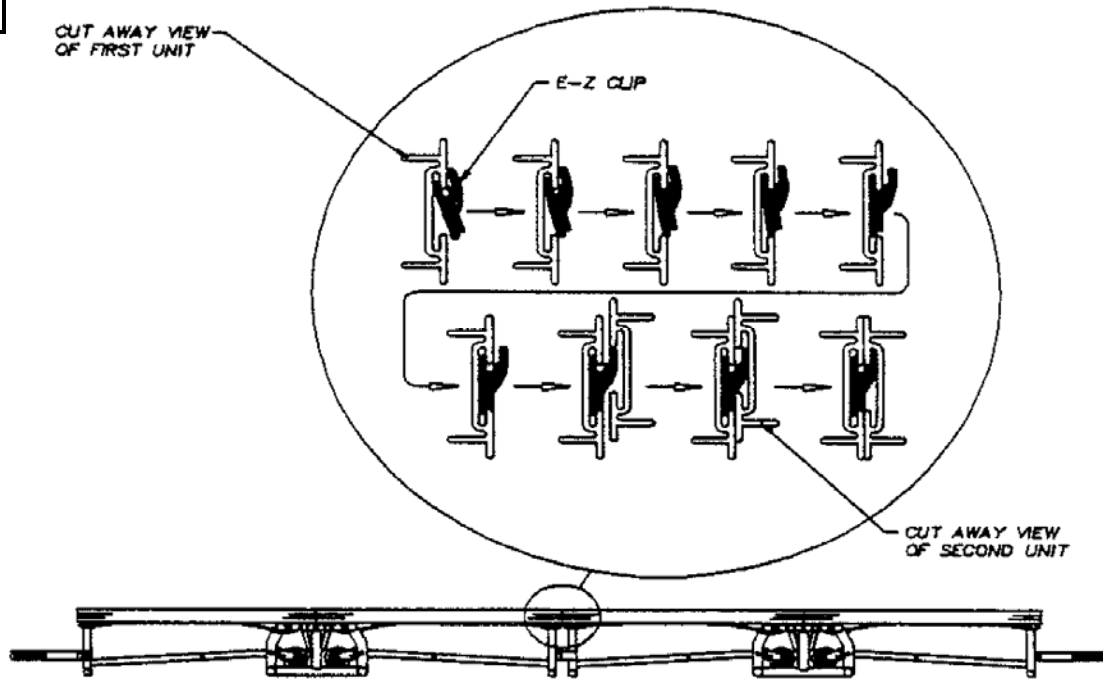
4



**For FR2403 and FR2404 models:**

To switch deck surface, unbolt the four bolts holding the deck down, lift the deck, flip, and place on locator nodes. Insert (4) bolts into deck and tighten.

5



**Multiple Unit Setups** - As each new section butts up to the next assembly, place E-Z clips in edging of first unit and place edging of second unit over E-Z clips as shown in illustration. For multi-leveled systems use the straps that are on the support uprights and loop it around the support upright of the adjoining sections, securely joining the Velcro hook and loop.

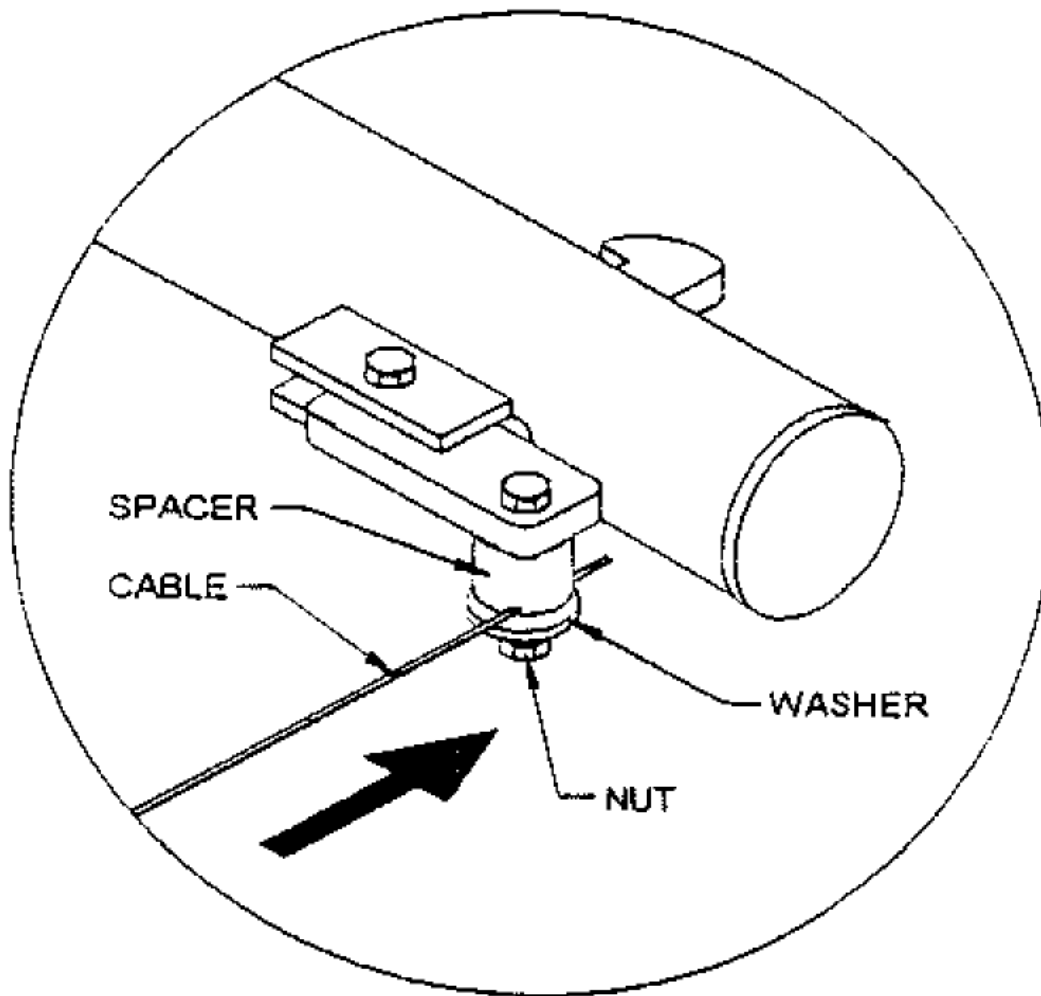


# Lock Adjustment Maintenance

---

Periodically the lock cable may need to be tightened. The procedure is as follows:

1. Roll the riser to a setup or work area. Set up the riser following the appropriate instructions for your model. Note: Do not remove the decks for this procedure. The decks are necessary for proper alignment and spacing.
2. Loosen, but don't remove, the lock nut that holds the washer against the cable. Pull the cable through the lock latch assembly until the cable is tight.
3. Tighten the lock nut, ensuring that the cable is in the groove between the spacer and the washer.



## Maintenance

---



### **WARNING!**

#### **Read and Understand All Maintenance Procedures**

Failure to follow all procedures listed below may cause serious injury and a decrease in the equipments functional existence.

---

- Frequently check to see that all fasteners are properly engaged.
- Nicks can be touched-up with spray paint or a permanent felt tip marker.
- The carpet can be vacuumed and cleaned with an aerosol spray foam cleaner, but never steam clean.
- Vinyl, TechStage, and TracTite surface can be sponge-mopped or wiped clean.
- Replace any damaged equipment with genuine StageRight parts. Failure to do so may result in unsafe equipment and/or personal injury.

## Customer Service

---

For parts or service contact StageRight Corporation. When ordering parts be sure to provide all relevant information available including the name and part number of the equipment purchased. This information is located on the technical specification page of this product information package. Customer Service hours are Monday thru Friday from 8:00 a.m. to 5:00 p.m. Eastern Standard Time. Customers can phone toll-free at (800) 438-4499 or mail:

StageRight Corporation  
495 Pioneer Parkway  
Clare, Michigan 48617  
[www.stageright.com](http://www.stageright.com)



SET UP IN MINUTES



STURDY, WITH NO TOOLS REQUIRED



UNSURPASSED CUSTOMER SERVICE

StageRight Corporation  
495 Pioneer Parkway  
Clare, MI 48617  
Toll-free: 800-438-4499  
Phone: 989-386-7393  
Fax: 989-386-3500  
Email: [info@stageright.com](mailto:info@stageright.com)  
Web: [www.stageright.com](http://www.stageright.com)