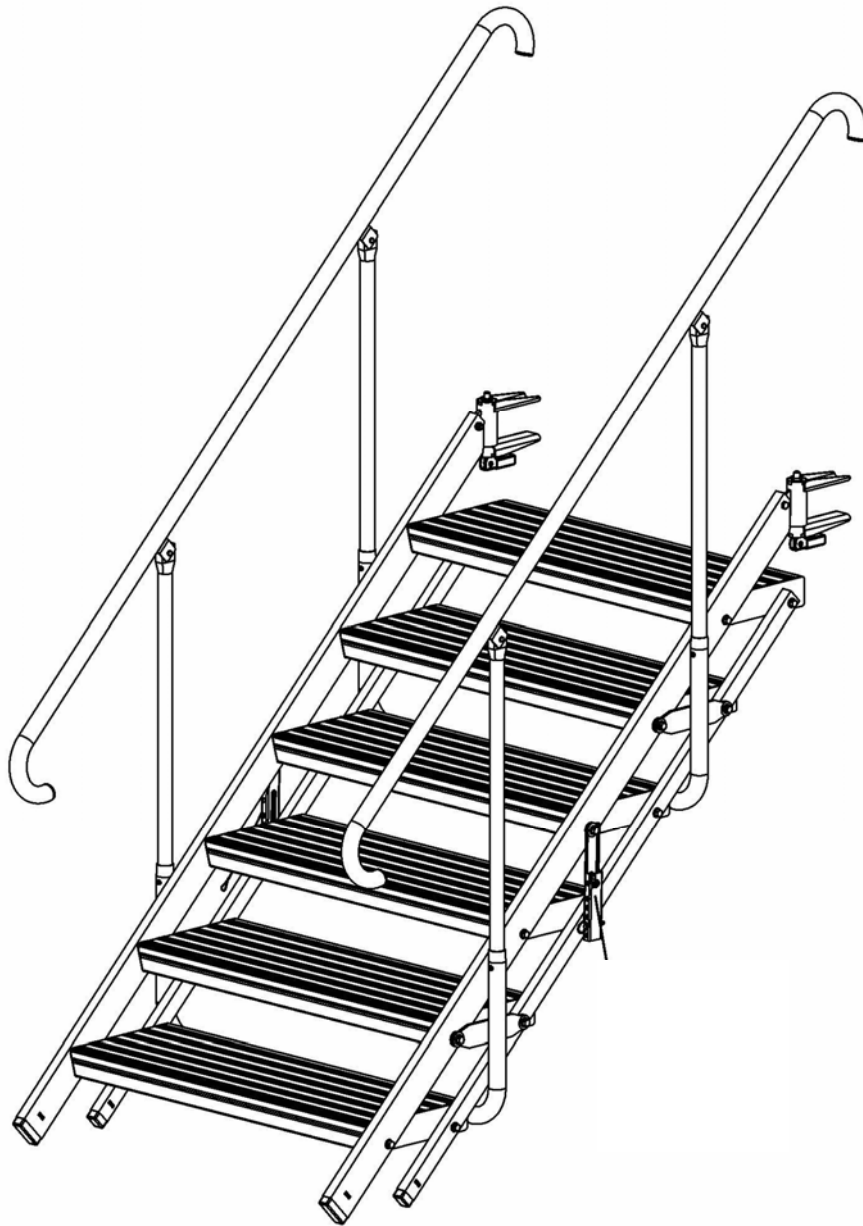




STAGE RIGHT

PRODUCT INFORMATION PACKET

PRODUCT NAME: Folding Adjustable Stair



KEEP INFORMATION PACKET FOR FUTURE REFERENCE

Table of Contents

- Introduction..... 1
- General Safety Rules..... 2
- Symbols..... 2
- Technical Specifications..... 3
- Instructions..... 4
- Maintenance..... 6
- Customer Service Information..... 6

Introduction

The StageRight Folding Adjustable Stair has been designed and manufactured with safety, performance and dependability as top priorities, making it easy to operate and maintain.

The care you give your Folding Adjustable Stair will greatly determine your satisfaction with its performance and service life. Careful study of this manual is encouraged to obtain a thorough understanding of your new Folding Adjustable Stair and its functions and maintenance.

If your manual becomes lost or destroyed, StageRight will gladly provide you with a new copy. Should you require additional information or assistance, please feel free to contact us at 1-800-438-4499.

BECAUSE STAGERIGHT CORPORATION MAINTAINS AN ONGOING PROGRAM OF PRODUCT DEVELOPMENT AND IMPROVEMENT, WE RESERVE THE RIGHT TO MAKE IMPROVEMENTS IN DESIGN OR CHANGES IN SPECIFICATIONS WITHOUT INCURRING ANY OBLIGATIONS TO INSTALL THEM ON UNITS PREVIOUSLY SOLD.

General Safety Rules



WARNING!
READ AND UNDERSTAND ALL INSTRUCTIONS.

Failure to follow all instructions listed below may result in serious personal injury.

SAVE THESE INSTRUCTIONS

- **Stay clear of all pinch points.**
- **Make sure that all fasteners are properly engaged before use.** Faspins and jam nuts need to be properly engaged before use.
- **Save these instructions.** Refer to them frequently and use them to instruct others who may use the Folding Adjustable Stairs.
- **Read the Product Information Packet.** Failure to read the information packet is considered a misuse of this equipment.
- **Become familiar with all caution and warning decals affixed to the support system before use.**
- **Never cover or deface caution/warning labels.**

Symbols

	<p>Safety Alert: Precautions that involve your safety</p>
	<p>Read The Operator's Manual: To reduce risk of injury, user must read and understand operator's manual before using this product</p>
	<p>Pinch Point Warning Label: Failure to keep hands away from pinch points will result in personal injury</p>

StageRight Corporation Technical Specifications

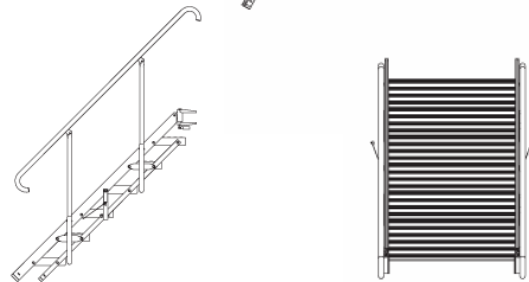
Folding Adjustable Stair

Description	Part # (w/o lights)	Part # (w/lights)
12-16" 1 Step w/o rail	360001	320011
16-24" 2 Step w/o rail	360002	320012
16-24" 2 Step w/rail	360012	320018
24-32" 3 Step w/rail	360003	320013
32-40" 4 Step w/rail	360004	320014
32-48" 5 Step w/rail	360015	320019
36-56" 6 Step w/rail	360006	320015
48-78" 8 Step w/rail	360008	320016
60-88" 10 Step w/rail	360010	320017

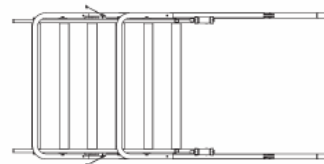
TOP VIEW:



SIDE VIEW:



FOLDED VIEW:

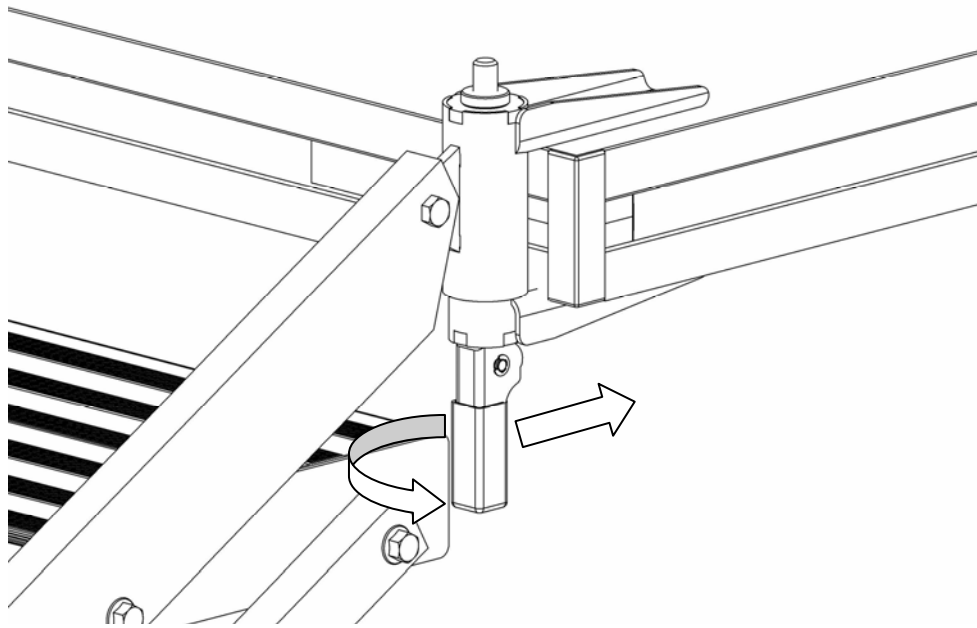


Construction, Finish, and Hardware

- Constructed of ASTM specified steel
- Baked-on powder coat finish.
- Zinc-plated hardware
- All Aluminum Treads

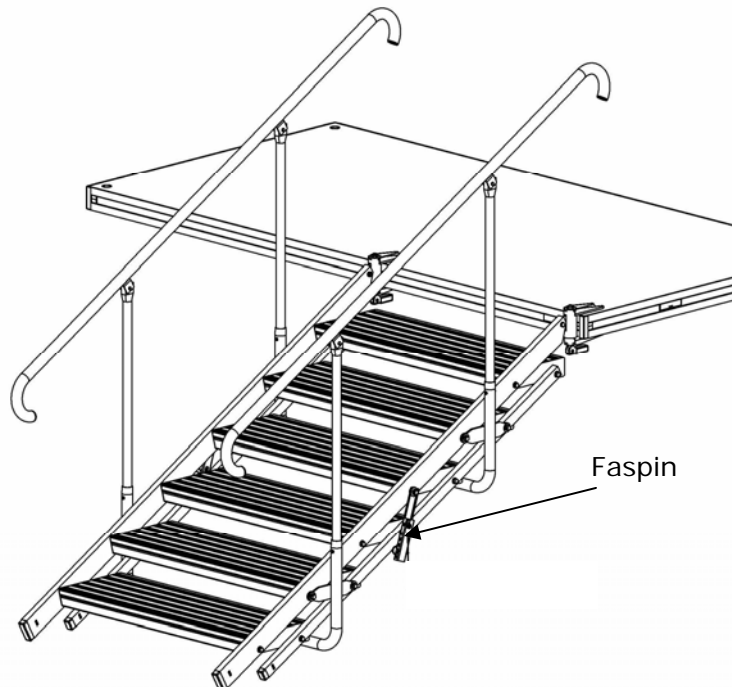
Instructions

1



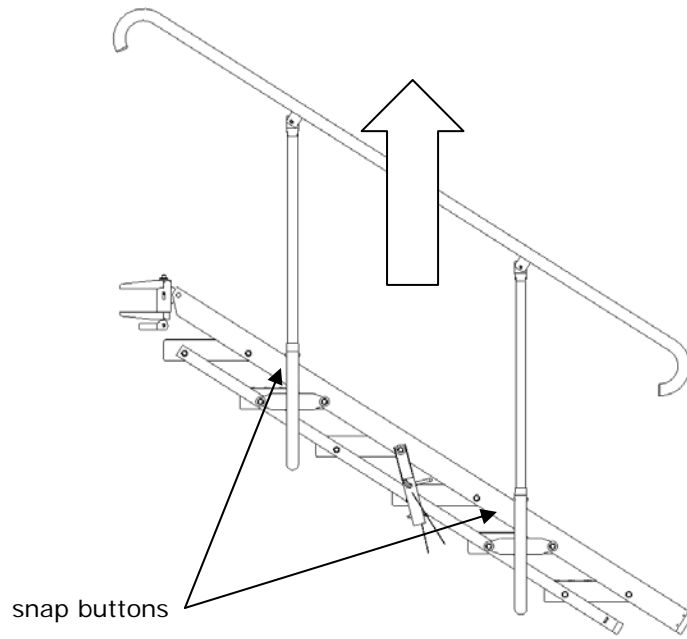
***Note: The complete set-up of this unit will require at least two people.** Begin by sandwiching the deck between the clamps and tighten the clamp by holding onto the knurled nut while turning the handle counterclockwise in the vertical position then locking the handle in the horizontal position.

2



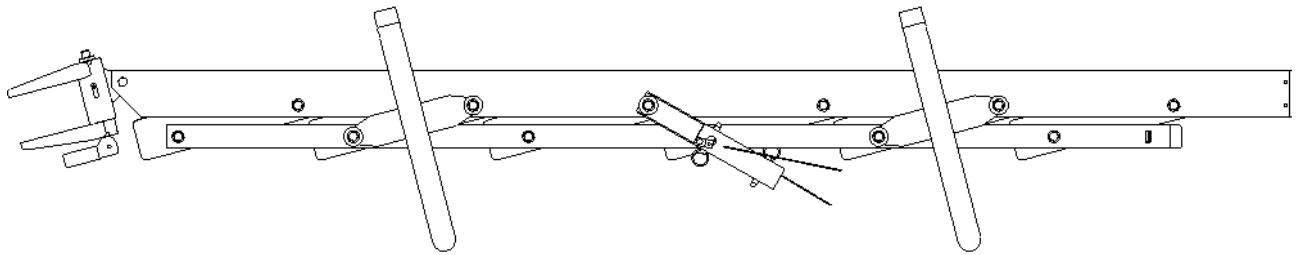
To set stair height, pull faspins from each side and allow stair to settle so the bottom tube rests on the ground and all stairs are horizontal. Once everything is in place, reinsert faspins to the position below the stop.

3



Prior to folding, remove guardrails by pressing the snap buttons and lifting the rail up.

4



To fold, remove faspins and compress into position shown. Re-insert faspin in the top hole.

Maintenance



WARNING!

Read And Understand All Maintenance Procedures

Failure to follow all procedures listed below may cause serious injury and a decrease in the equipments functional existence.

- **Frequently check to see that all fasteners are properly engaged.**
- **Touch up paint can be used to cover any scratches or blemishes sustained through use.**
- **Replace any damaged equipment with genuine StageRight parts.** Failure to do so may result in unsafe equipment and/or personal injury.

Customer Service

For parts or service contact StageRight Corporation. When ordering parts be sure to provide all relevant information available including the name and part number of the equipment purchased. This information is located on the technical specification page of this product information package. Customer Service hours are Monday thru Friday from 8:00 a.m. to 5:00 p.m. Eastern Standard Time. Customers can phone toll-free at (800) 438-4499 or mail:

StageRight Corporation
495 Pioneer Parkway
Clare, Michigan 48617
www.stageright.com



SET UP IN MINUTES



STURDY, WITH NO TOOLS REQUIRED



UNSURPASSED CUSTOMER SERVICE

StageRight Corporation
495 Pioneer Parkway
Clare, MI 48617
Toll-free: 800-438-4499
Phone: 989-386-7393
Email: info@stageright.com
Web: www.stageright.com