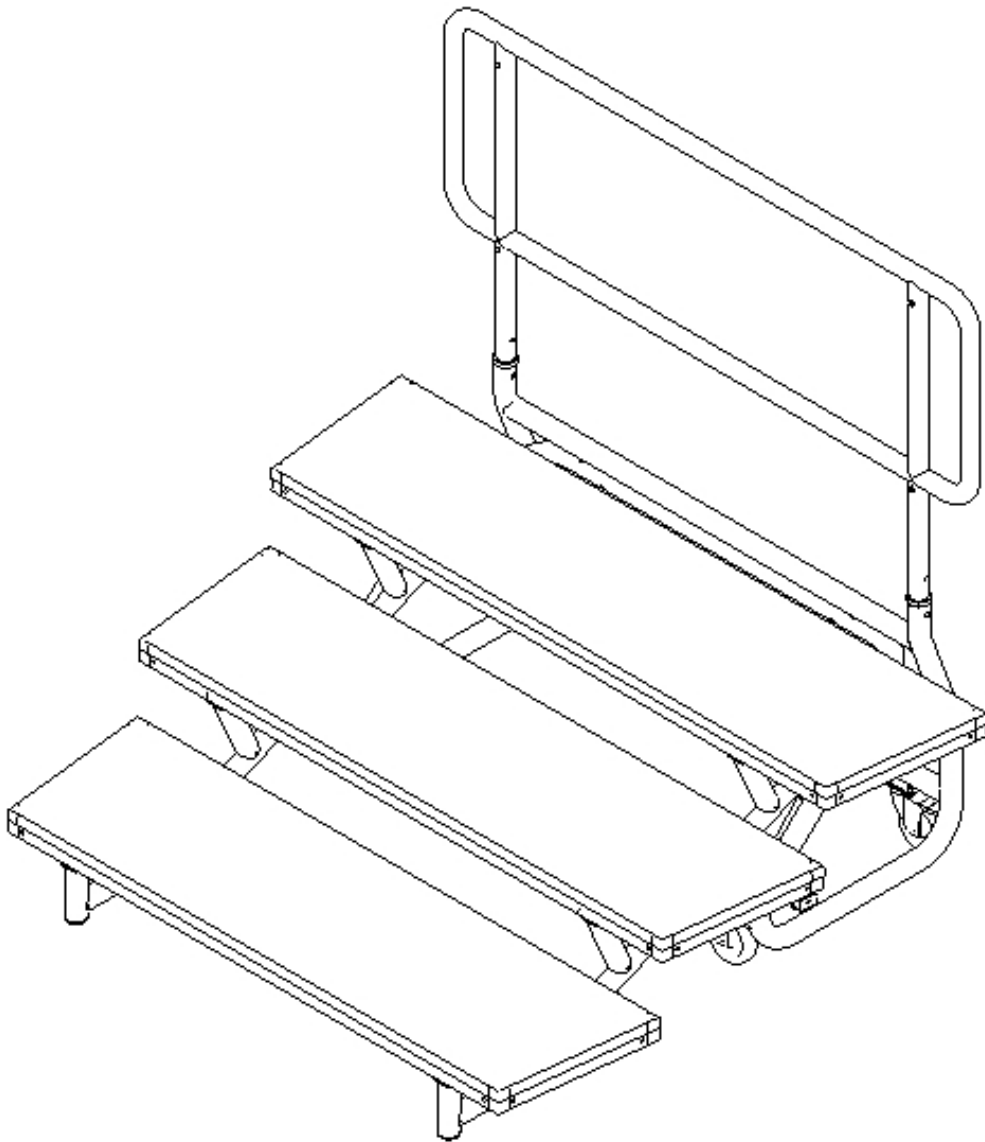




STAGERIGHT

PRODUCT INFORMATION PACKET

PRODUCT NAME: FR-36 Fold & Roll Riser



KEEP INFORMATION PACKET FOR FUTURE REFERENCE

Table of Contents

▪ Introduction.....	1
▪ General Safety Rules.....	2
▪ Symbols.....	3
▪ Technical Specifications.....	4
▪ Instructions.....	5
▪ Maintenance.....	7
▪ Customer Service Information.....	13
	14

Introduction

The StageRight FR-36 Fold & Roll Riser has been designed and manufactured with safety, performance and dependability as top priorities, making it easy to operate and maintain.

The care you give your FR-36 Fold & Roll Riser will greatly determine your satisfaction with its performance and service life. Careful study of this manual is encouraged to obtain a thorough understanding of your new FR-36 Fold & Roll Riser and its functions and maintenance.

If your manual becomes lost or destroyed, StageRight will gladly provide you with a new copy. Should you require additional information or assistance, please feel free to contact us at 1-800-438-4499.

BECAUSE STAGERIGHT CORPORATION MAINTAINS AN ONGOING PROGRAM OF PRODUCT DEVELOPMENT AND IMPROVEMENT, WE RESERVE THE RIGHT TO MAKE IMPROVEMENTS IN DESIGN OR CHANGES IN SPECIFICATIONS WITHOUT INCURRING ANY OBLIGATIONS TO INSTALL THEM ON UNITS PREVIOUSLY SOLD.

General Safety Rules



WARNING!



READ AND UNDERSTAND ALL INSTRUCTIONS.

Failure to follow all instructions listed below may result in serious personal injury.

SAVE THESE INSTRUCTIONS

- **Stay clear of all pinch points.**
- **Make sure that all fasteners are properly engaged before use.**
- **Make sure that all decks are positioned properly onto the support system.**
- **Load treads evenly. Placing people only on the top tread may cause tipping.**
- **Do not use without railing.** Railing must be used at all times for safety.
- **Save these instructions.** Refer to them frequently and use them to instruct others who may use the FR-36 Fold & Roll Riser.
- **Read the Product Information Packet.** Failure to read the information packet is considered a misuse of this equipment.
- **Become familiar with all caution and warning decals affixed to the support system before use.**
- **Never cover or deface caution/warning labels.**

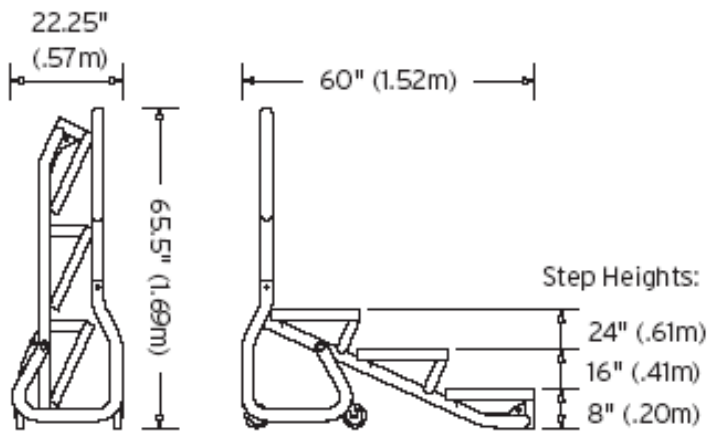
Symbols

	<p>Safety Alert: Precautions that involve your safety</p>
 <div data-bbox="370 451 565 625" style="border: 1px solid black; padding: 2px;"> <p>⚠ WARNING</p> <p>Read and understand operator's manual and all other safety instructions before using this equipment.</p> </div>	<p>Read The Operator's Manual: To reduce risk of injury, user must read and understand operator's manual before using this product</p>
 <div data-bbox="370 709 565 884" style="border: 1px solid black; padding: 2px;"> <p>⚠ CAUTION</p> <p>Pinch Point. Keep Hands And Fingers Clear</p> </div>	<p>Pinch Point Warning Label: Failure to keep hands away from pinch points will result in personal injury</p>
 <div data-bbox="370 976 565 1150" style="border: 1px solid black; padding: 2px;"> <p>⚠ WARNING</p> <p>INNER LEGS MUST BE ENGAGED PRIOR TO USE OR TIPPING MAY OCCUR</p> </div>	<p>4th Level Warning Label: Be sure 4th level legs are engaged when 4th level is in use to prevent injury, and stowed before transport to protect floor surfaces.</p>

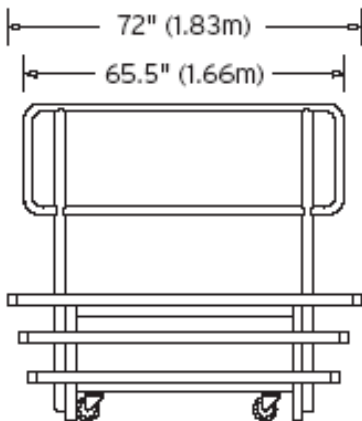
StageRight Corporation Technical Specifications

FR-36 Fold & Roll Riser

Part #	Description	Weight (lbs)	Shipping Dim.
307003	FR-36 Choral Riser	238	72"x36"x96"
307004	4 th Level Add-On (FR-36)	60	76"x21"x5"



Side View Assembled Position



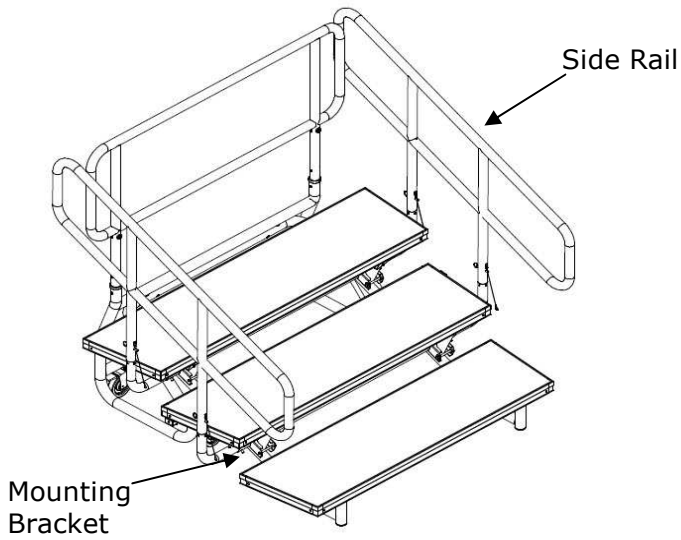
Construction, Finish, and Hardware

- Constructed of ASTM specified steel
- Baked-on powder coat finish.
- Zinc-plated hardware
- Heavy Duty casters

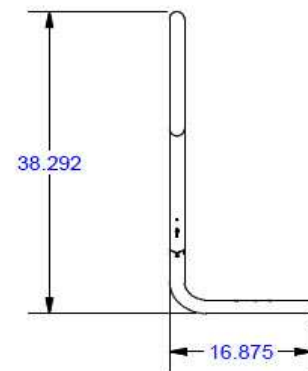
StageRight Corporation Technical Specifications

Part #	Description	Weight (lbs)	Shipping Dim.
108349	FR-36 Side Rail Kit	67	69"x17"x38"
107685	Mounting Bracket	10	55"x5"x3"

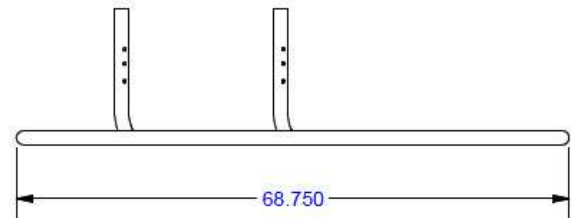
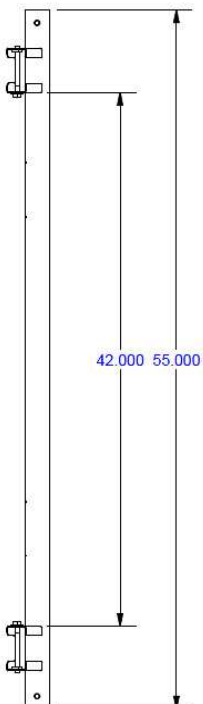
Shown with Optional Side Rail Kit 108349



Side Rail, (2) Required

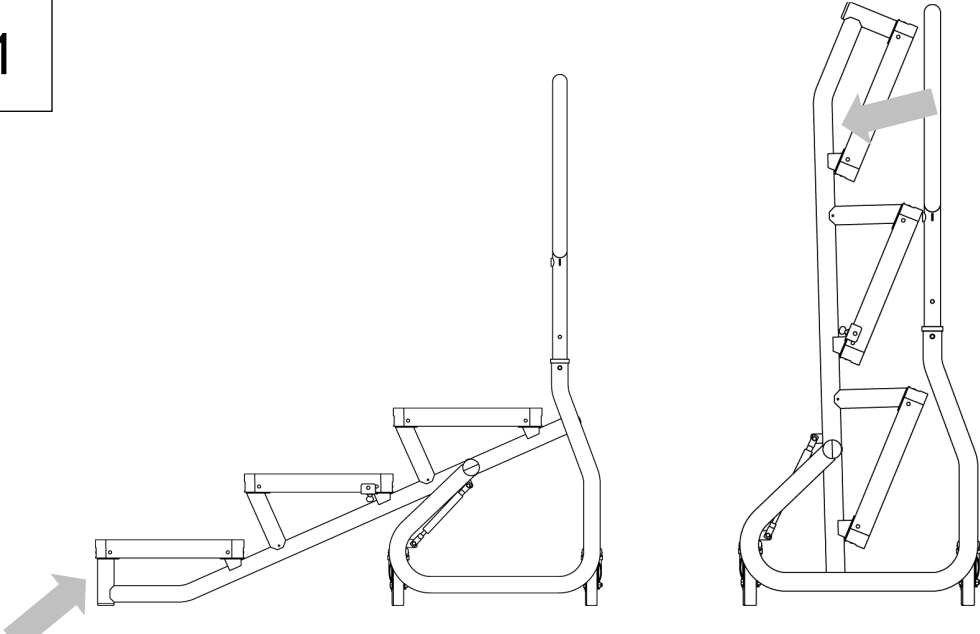


Mounting Bracket, (2) Required



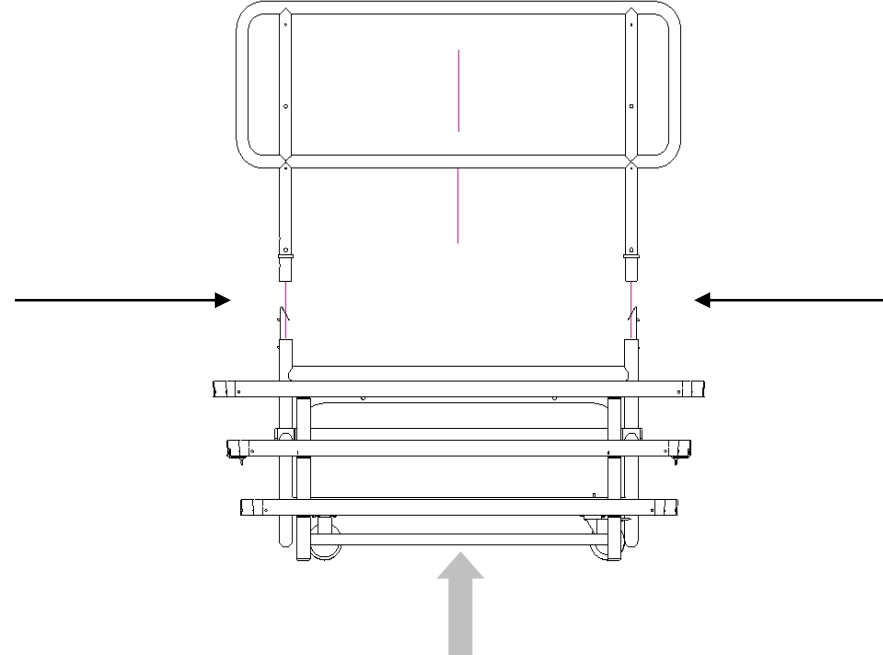
Instructions

1



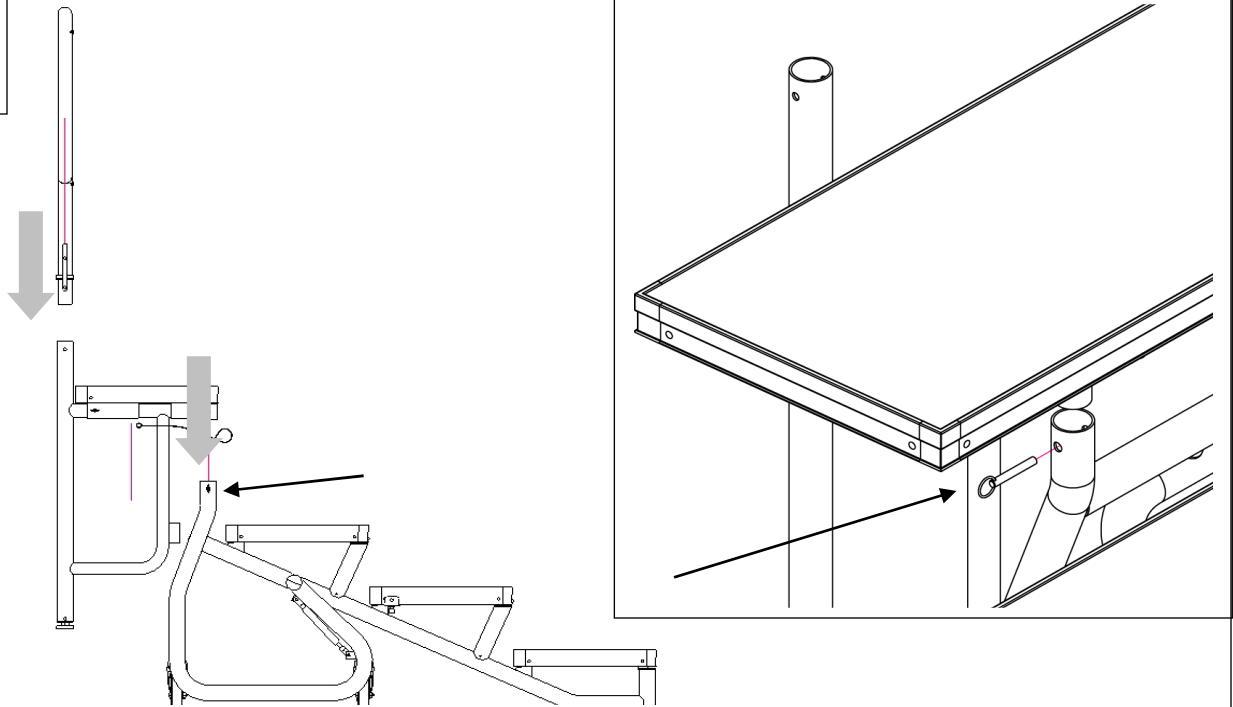
To fold up the FR-36, lock the wheels, and lift from the bottom tread. The tread assembly will rotate up and into the folded position. To unfold the assembly, lock the wheels, and pull on the bottom tread, the tread assembly will rotate down and into the unfolded position.

2



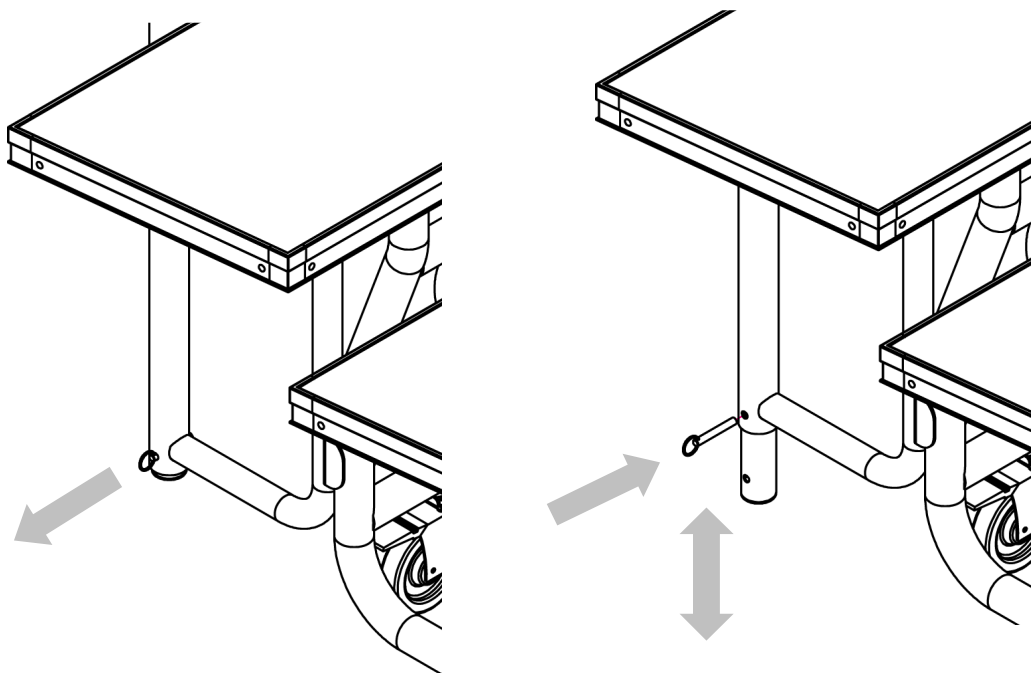
Note: 2 people necessary for this step! To add the fourth level, depress the spring locks, and *evenly lift* back rail up and out.

3



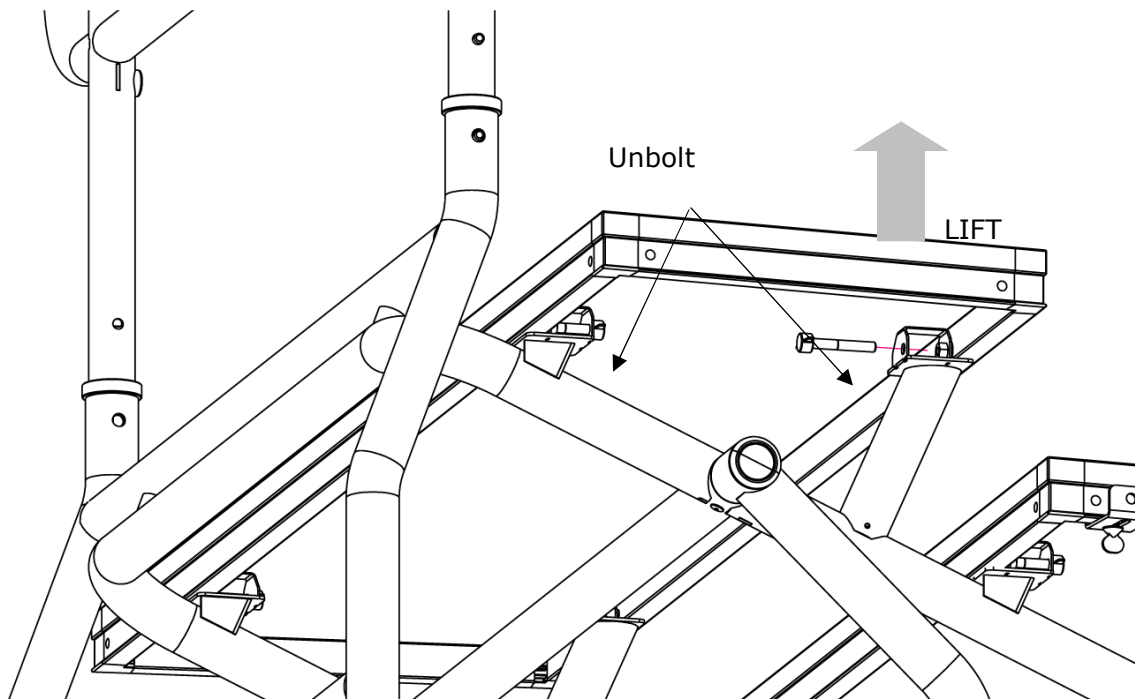
Lower the fourth level addition onto the lower levels. Insert fas-pins through hole as shown. Insert back rail into addition, making sure spring locks are snapped into place.

4



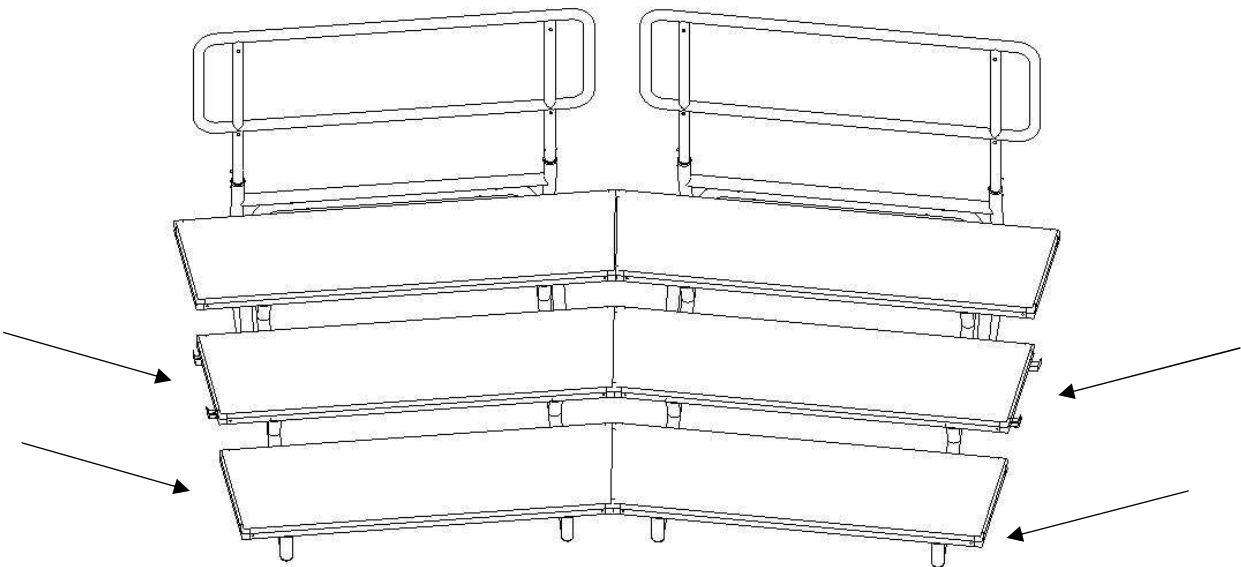
To keep the riser from tipping after the 4th level addition has been installed, pull the fas-pin out of the outer leg and lower the inner leg as shown. Line up the holes and replace the fas-pin. **Note: inner legs must be stowed prior to transport!**

5



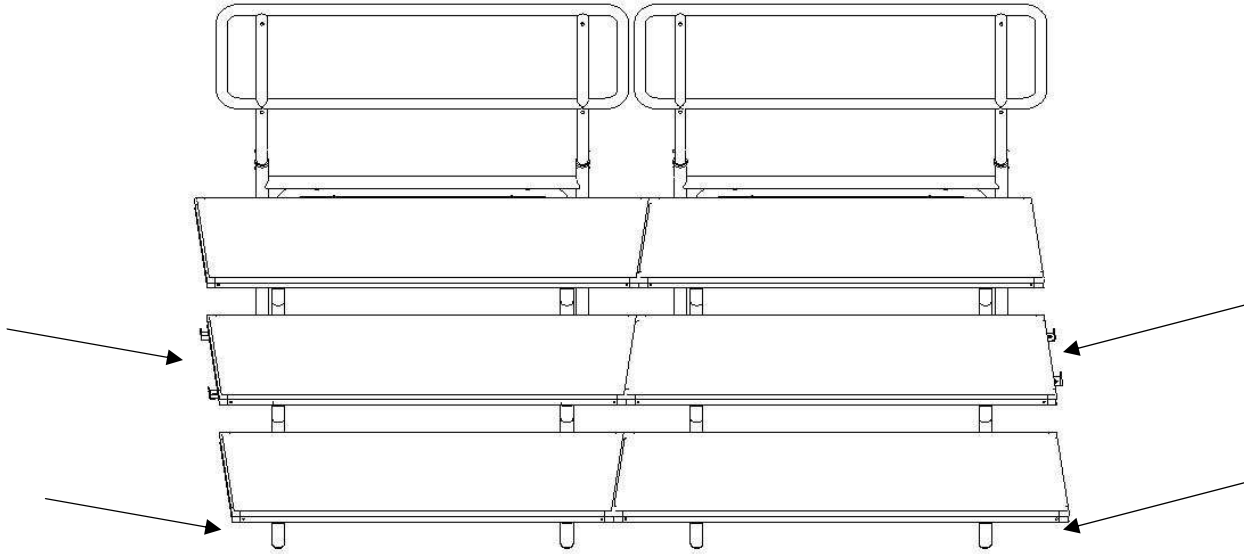
If multiple risers are being used, a straight or round shape can be made. Each level can be removed by unbolting the four bolts that hold on each tread.

6



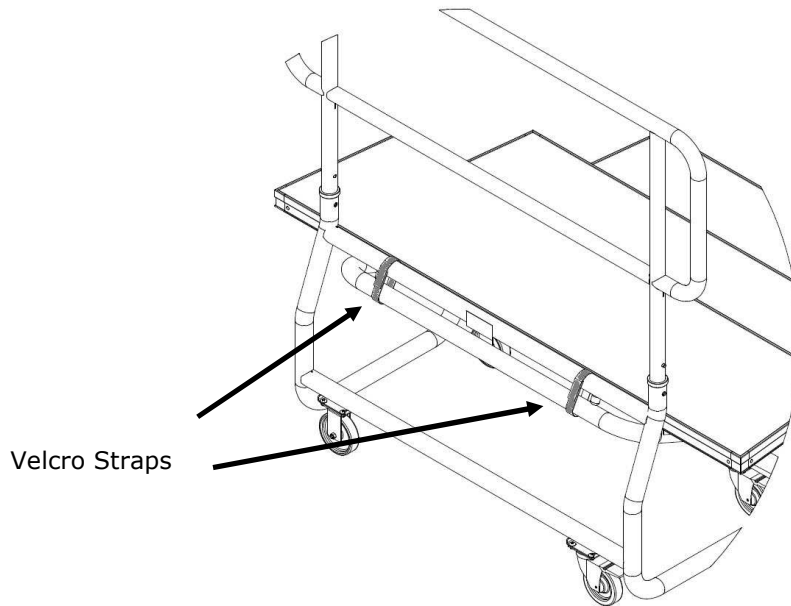
Note: Load treads evenly. Do not place people on the top tread alone, as tipping may occur. For a slightly curved shape, place the shortest tread on the bottom, with the shortest side facing forward. Use connecting brackets on middle tread to connect multiple risers together.

7



For a straight shape, alternate riser orientation. The first orientation is as shown above, the second is with the longest tread on the bottom, with the longer side facing forward. Use connecting brackets on middle tread to connect multiple risers together.

8

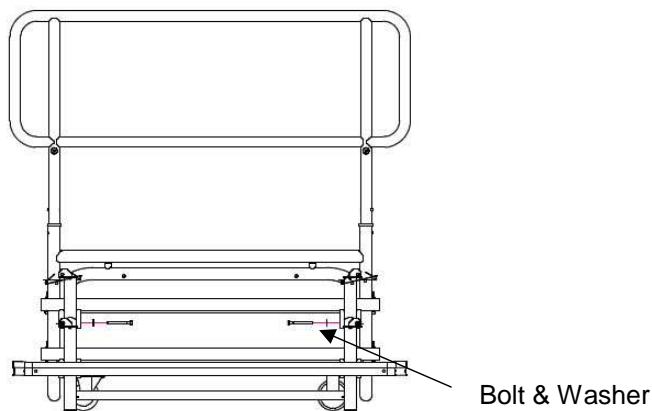
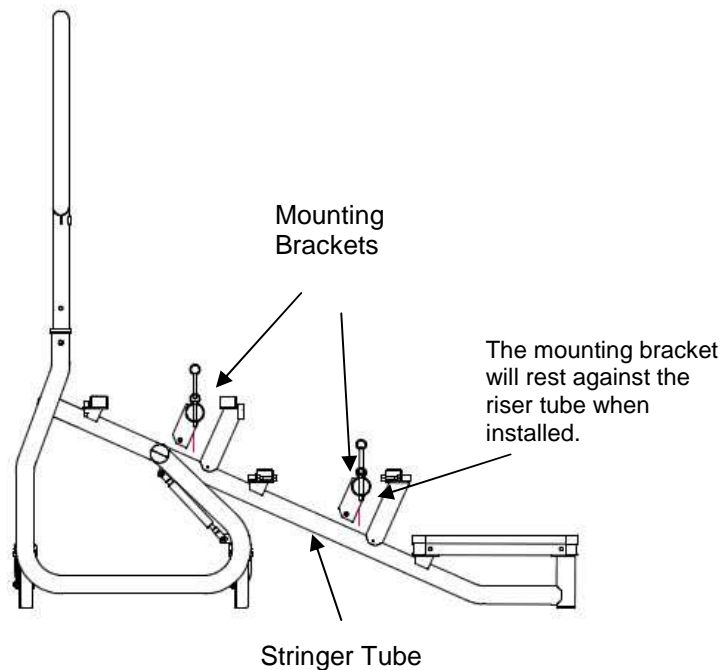


For improved performance, add Velcro straps to back of the riser. Adding Velcro straps to back of the riser will increase stability.

Instructions: Side Rail Kit

1

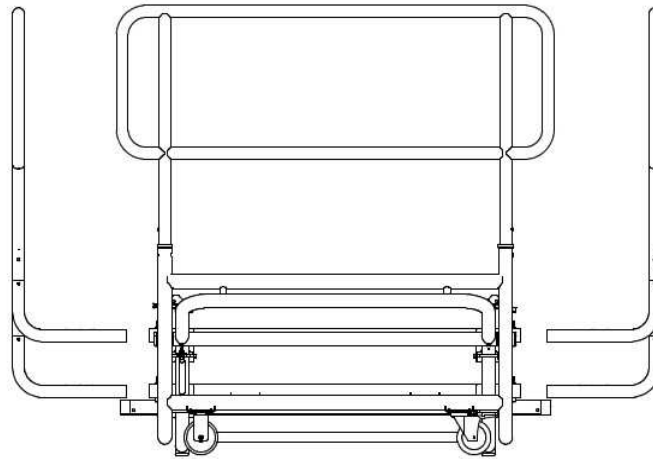
(Risers not shown for clarity.)



Position the Mounting Bracket on the stringer tubes as shown. Use a 3/8"-16 hex head bolt, a 3/8" washer and the 3/8"-16 square nut (the square nut is welded to the bracket) to secure the mounting bracket as shown. **Tighten bolts, do not over tighten as it will cause the bracket to bend!**

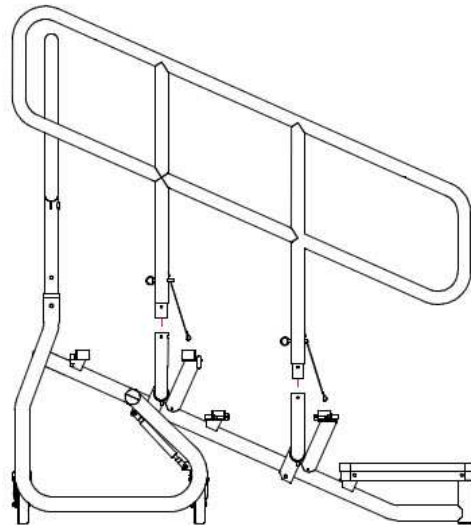
2

A



- A) Using two people attach the Side Rails to the brackets by sliding the rail tubes into the bracket tubes. Be sure to insert the rail tubes evenly to avoid binding. **Secure all tubes in place using the provided fas-pin!**

B



- B) Alternately you can attach the bent rail tubes into the bracket tubes first and then two people can place the side rail into the bent tubes from the top. Again be sure to insert the rail tubes evenly to avoid binding. **Secure all tubes in place using the provided fas-pin!**

Maintenance



WARNING!

Read and Understand All Maintenance Procedures

Failure to follow all procedures listed below may cause serious injury and a decrease in the equipments functional existence.

- **Frequently check to see that all fasteners are properly engaged.**
- **Touch up paint can be used to cover any scratches or blemishes sustained through use.**
- **Replace any damaged equipment with genuine StageRight parts.** Failure to do so may result in unsafe equipment and/or personal injury.

Customer Service

For parts or service contact StageRight Corporation. When ordering parts be sure to provide all relevant information available including the name and part number of the equipment purchased. This information is located on the technical specification page of this product information package. Customer Service hours are Monday thru Friday from 8:00 a.m. to 5:00 p.m. Eastern Standard Time. Customers can phone toll-free at (800) 438-4499 or mail:

StageRight Corporation
495 Pioneer Parkway
Clare, Michigan 48617
www.stageright.com



SET UP IN MINUTES



STURDY, WITH NO TOOLS REQUIRED



UNSURPASSED CUSTOMER SERVICE

StageRight Corporation
495 Pioneer Parkway
Clare, MI 48617
Toll-free: 800-438-4499
Phone: 989-386-7393
Fax: 989-386-3500
Email: info@stageright.com
Web: www.stageright.com