



STAGE RIGHT

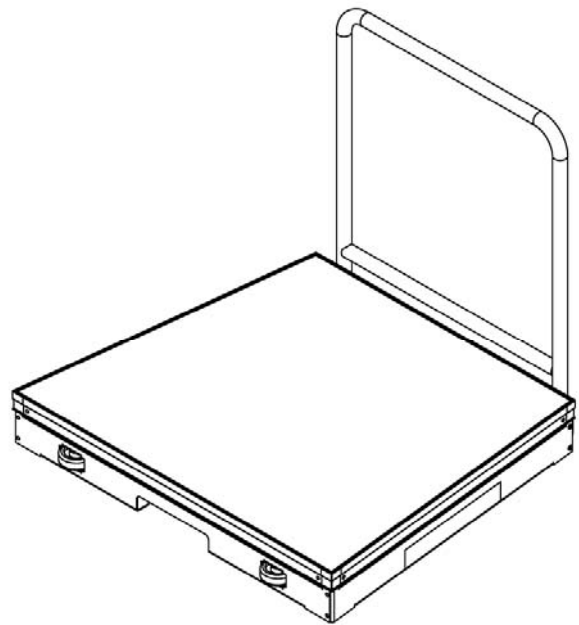
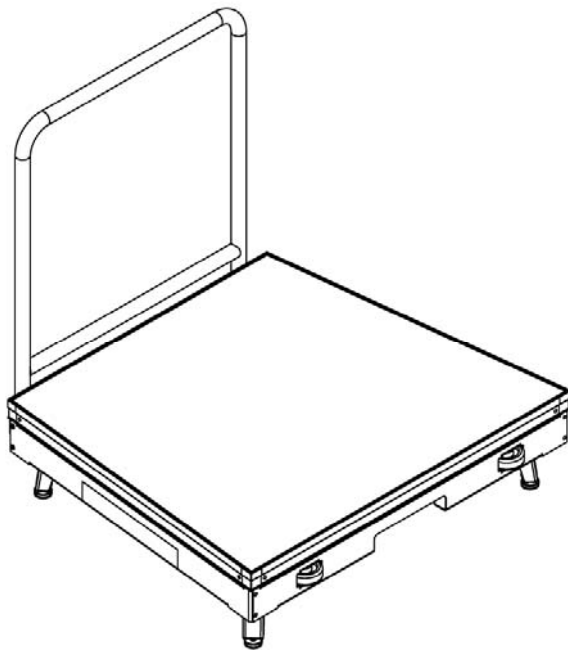
The Innovative Provider of Best in Class Furnishing Systems for Public Assembly

PRODUCT INFORMATION PACKET

PRODUCT NAME: Conductor's Podium

PRODUCT PART NUMBERS: 360163 – 6" FIXED HEIGHT

360172 – 6-12" ADJ HEIGHT



KEEP INFORMATION PACKET FOR FUTURE REFERENCE

Table of Contents

- *Introduction*.....1
- *General Safety Rules*.....2
- *Symbols*.....3
- *Technical Specifications*.....4
- *Use Instructions*.....5
- *Maintenance*.....7
- *Warranty*.....8
- *Customer Service Information*.....8

Introduction

This staging equipment has many features that make its use more pleasant and enjoyable. Safety, performance and dependability have been given top priority in the design and manufacture of this product making it easy to maintain and operate.

The care you give your staging equipment will greatly determine your satisfaction with its performance and service life. We urge a careful study of this manual to provide you with a thorough understanding of your new staging equipment before use as well as suggestions for set-up and maintenance.

If your manual should become lost or destroyed, StageRight Corporation will gladly provide you with a new copy. Should you require additional information or assistance, please feel free to contact us.

BECAUSE STAGERIGHT CORPORATION MAINTAINS AN ONGOING PROGRAM OF PRODUCT DEVELOPMENT AND IMPROVEMENT, WE RESERVE THE RIGHT TO MAKE IMPROVEMENTS IN DESIGN OR CHANGES IN SPECIFICATIONS WITHOUT INCURRING ANY OBLIGATIONS TO INSTALL THEM ON UNITS PREVIOUSLY SOLD.

General Safety Rules



WARNING!


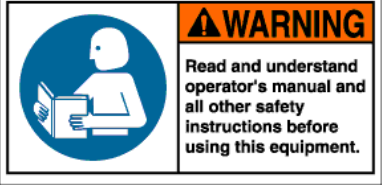

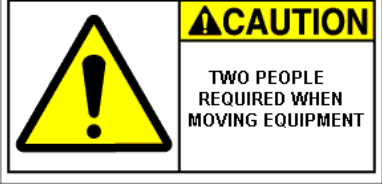
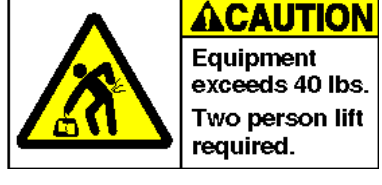
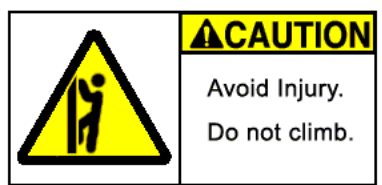
READ AND UNDERSTAND ALL INSTRUCTIONS.

Failure to follow all instructions listed below may result in serious personal injury.

SAVE THESE INSTRUCTIONS

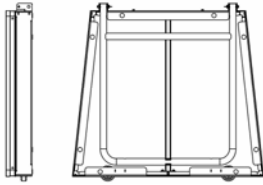
- **Stay clear of all pinch points.** When raising or lowering guardrail, keep hands away from pinch points.
- **Use caution when on podium platform.** Platform is raised 6" or 12" above ground, be aware of falling hazard.
- **Make sure that all fasteners are properly engaged before use.** Quick pins, button stops, and jam nuts need to be properly engaged before use.
- **Save these instructions.** Refer to them frequently and use them to instruct others who may use the Conductor's Podium.
- **Read the Product Information Packet.** Failure to read the information packet is considered a misuse of this equipment.
- **Become familiar with all caution and warning decals affixed to the field equipment before use.**
- **Never cover or deface caution/warning labels.**

Symbols

	<p>Safety Alert: Precautions that involve your safety</p>
	<p>Read The Operator's Manual: To reduce risk of injury, user must read and understand operator's manual before using this product</p>
	<p>Pinch Point Warning Label: Failure to keep hands away from pinch points will result in personal injury</p>
	<p>Two people required when moving equipment. Due to size and weight at least two people are required when moving equipment.</p>
	<p>Two people required when lifting equipment that exceeds 40 lbs.</p>
	<p>Do Not Climb Warning Label: To reduce risk of injury, do not climb or sit on guardrail.</p>

StageRight Corporation Equipment Specifications

Conductor's Podium



- Built in guard rail for added safety folds securely inside unit eliminating loose parts and wasted storage space
- Guard rail has built in chairstop which helps to keep conductor chair from falling off the platform
- Integrated casters allow for easy transportation from storage to practice to performance
- Carpeted platform for a quiet performance with cutout for a portable music stand
- Tapered design for more performance room in front, yet folds to store in half the space of other units
- Non marking polyurethane casters will not scuff or mark up the performance floor
- All pieces integrated with no separate pieces to store

6" PODIUM (360163)

FRONT WIDTH: 44 ½"
BACK WIDTH: 36"
LENGTH: 40 ½"
HEIGHT: 6"
RAIL HEIGHT: 31"
STORED WIDTH: 6"
STORED HEIGHT: 40 1/2"
WEIGHT: 90 LBS

ADJ PODIUM (360172)

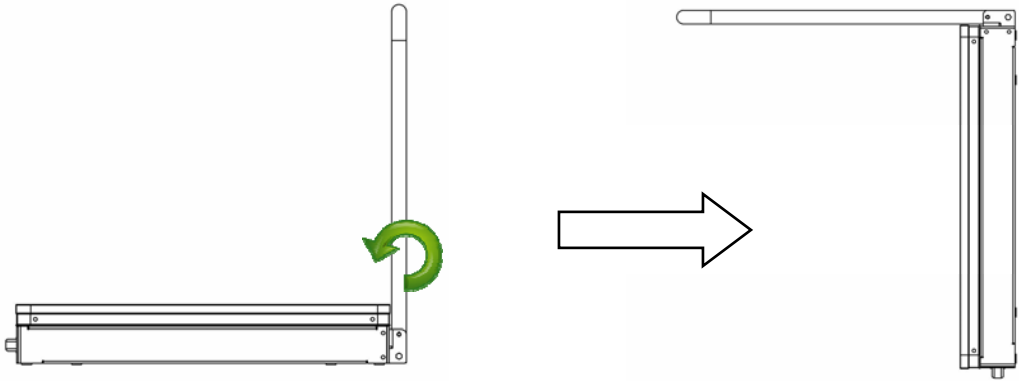
FRONT WIDTH: 44 ½"
BACK WIDTH: 36"
LENGTH: 40 ½"
HEIGHT: 6-12"
RAIL HEIGHT: 31"
STORED WIDTH: 6"
STORED HEIGHT: 40 1/2"
WEIGHT: 123 LBS

Construction:

- ASTM A513 tubing, steel plate
- Extrusion 6061-T6 Aluminum
- Molded corners
- Polyurethane casters
- Zinc plated hardware grade 5 or equivalent
- Baked on powder coat finish

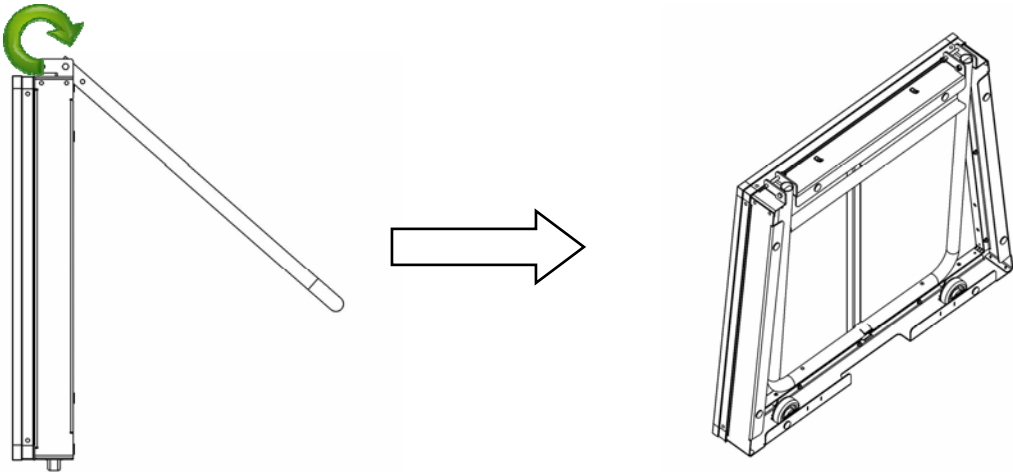
User Instructions *(6" podium shown)*

1



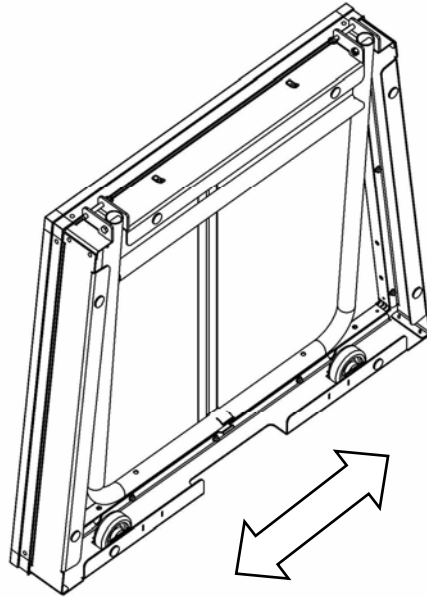
To fold the Conductor's Podium for storage begin by rotating the unit onto its casters. With the podium resting on the casters remove the quick pins from the guard rail.

2



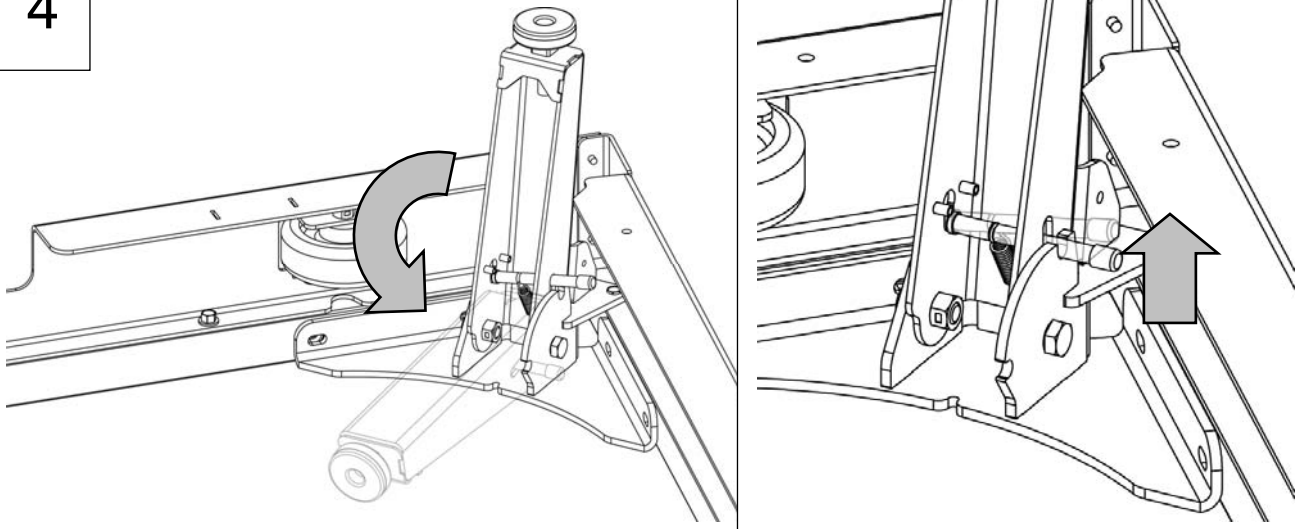
With the quick pins removed, slowly rotate the guard rail into the unit and snap it into the storage location. Insert quick pins back into rail brackets for storage.

3



With the rail securely locked into its storage position use the casters to roll the unit to the desired storage location. The podium can now be stored flat or vertically. * Note: If podium is to be stored vertically place at slight angle against something stationary to keep it from falling over. When moving podium by sliding unit across floor make sure all surface tape is in place to avoid floor damage.

4



Adjustable Height Podium: to fold legs, pull the lock pin out of its slot and rotate leg to desired position. Then screwfeet can be used to level podium. Note: legs store best with screw feet all the way in.

Maintenance



WARNING!

Read and Understand All Maintenance Procedures

Failure to follow all procedures listed below may cause serious injury and a decrease in the equipments functional existence.

- **Frequently check to see that all fasteners are properly engaged.**
- **Touch up paint can be used to cover any scratches or blemishes sustained through use.**
- **Replace any damaged equipment with genuine StageRight parts.** Failure to do so may result in unsafe equipment and/or personal injury.

StageRight Corporation Limited Warranty

We warrant each new StageRight product of our manufacture to be free from defects in material and workmanship for one (1) full year under normal use and service. Worn items must be replaced using genuine StageRight replacement parts only. This warranty shall not apply if other replacement parts are used.

Products by others will be covered, if at all, only by the warranty provided by the respective manufacturer.

Our obligations under this warranty will be limited to repairing or replacing at our factory any part or parts thereof within twelve (12) months after delivery of the StageRight product to the original consumer. Once the product is returned to StageRight, we will perform an inspection to determine if the product is defective in material or workmanship. If StageRight determines the product is defective in material or workmanship, StageRight will repair or replace any part or parts at no cost to the consumer. This warranty does not obligate us to bear the cost of transportation charges in connection with replacement or repair of defective parts.

THIS WARRANTY IS IN LIEU OF ANY OTHER WARRANTY, EXPRESSED OR IMPLIED, INCLUDING BUT NOT LIMITED TO ANY IMPLIED WARRANTIES OF MERCHANTABILITY AND FITNESS FOR A PARTICULAR PURPOSE. IN NO EVENT SHALL STAGERIGHT BE LIABLE FOR INCIDENTAL OR CONSEQUENTIAL DAMAGES OR FOR ANY DELAY IN PERFORMANCE UNDER THIS WARRANTY. This warranty does not cover damage in transit.

The warranty shall not apply to any StageRight product which shall have been used, repaired, or altered outside of the factory in any way so as to affect the intent of the design. Also excluded from warranty is any product which has been subject to misuse, negligence, accident, or has been operated in any way other than its intended use. The warranty does not include scratches in paint or other cosmetic damage arising from normal use.

Customer Service

For parts or service contact StageRight Corporation. When ordering parts be sure to provide all relevant information available including the name and part number of the equipment purchased. This information is located on the cover of this product information package. Individual part numbers can be found on the parts list page of this product information package. Hours of phone service are Monday thru Friday from 8:00 a.m. to 5:00 p.m. Eastern Standard Time. Customers can phone toll-free at (800) 438-4499 or mail:

StageRight Corporation
495 Pioneer Parkway
Clare, Michigan 48617



SET UP IN MINUTES



STURDY, WITH NO TOOLS REQUIRED



UNSURPASSED CUSTOMER SERVICE

StageRight Corporation
495 Pioneer Parkway
Clare, MI 48617
Toll-free: 800-438-4499
Phone: 989-386-7393
Email: info@stageright.com
Web: www.stageright.com