



STAGE RIGHT

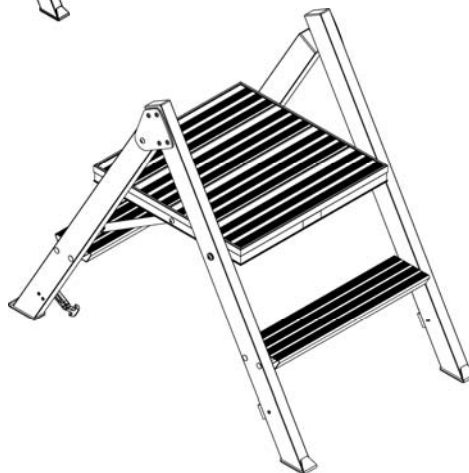
PRODUCT INFORMATION PACKET

PRODUCT NAME: Marching Band Podium

PRODUCT PART NUMBERS: 360177 (4 Step, 42" Height)

360178 (3 Step, 32" Height)

360188 (2 Step, 24" Height)



3 & 4 Steps shown with optional boundary rails

KEEP INFORMATION PACKET FOR FUTURE REFERENCE

Table of Contents

- *Introduction*.....1
- *General Safety Rules*.....2
- *Symbols*.....3
- *Technical Specifications*.....4
- *Use Instructions*.....5
- *Assembly Instructions*.....7
- *Maintenance*.....9
- *Customer Service Information*.....9

Introduction

The StageRight Marching Band Podium has many features that make its use more pleasant and enjoyable. Safety, performance and dependability have been given top priority in the design and manufacture of this product, as well as making it easy to maintain and operate.

The care you give your Marching Band Podium will greatly determine your satisfaction with its performance and service life. We urge a careful study of this manual to provide you with a thorough understanding of your new staging equipment before use as well as suggestions for set-up and maintenance.

If your manual should become lost or destroyed, StageRight Corporation will gladly provide you with a new copy. Should you require additional information or assistance, please feel free to contact us.

BECAUSE STAGERIGHT CORPORATION MAINTAINS AN ONGOING PROGRAM OF PRODUCT DEVELOPMENT AND IMPROVEMENT, WE RESERVE THE RIGHT TO MAKE IMPROVEMENTS IN DESIGN OR CHANGES IN SPECIFICATIONS WITHOUT INCURRING ANY OBLIGATIONS TO INSTALL THEM ON UNITS PREVIOUSLY SOLD.

General Safety Rules



WARNING!


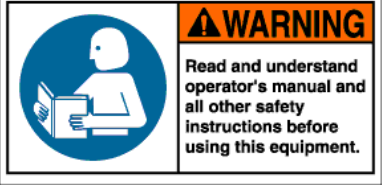
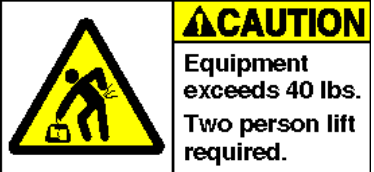

READ AND UNDERSTAND ALL INSTRUCTIONS.

Failure to follow all instructions listed below may result in serious personal injury.

SAVE THESE INSTRUCTIONS

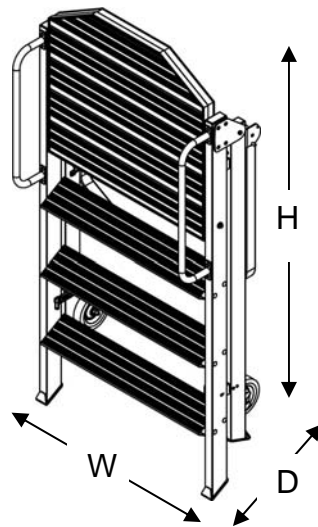
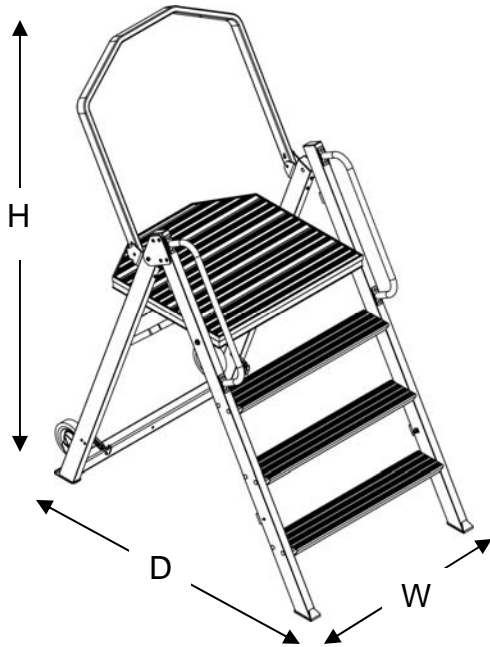
- **Use caution when on podium platform.** Platform is raised 42" above ground, be aware of falling hazard.
- **Use handrails when climbing up and down the stairs.**
- **Do not lean on Boundary Rail.** The Boundary Rail visually defines the platform space for safety while standing on the podium. It is not intended to support weight as a guardrail.
- **No more than one person on the podium.** The Marching Band Podium is designed and intended for use with one person at a time.
- **Make sure that all fasteners are properly engaged before use.**
- **Save these instructions.** Refer to them frequently and use them to instruct others who may use the Conductor's Podium.
- **Read the Product Information Packet.** Failure to read the information packet is considered a misuse of this equipment.
- **Become familiar with all caution and warning decals affixed to the field equipment before use.**
- **Never cover or deface caution/warning labels.**

Symbols

	<p>Safety Alert: Precautions that involve your safety</p>
	<p>Read The Operator's Manual: To reduce risk of injury, user must read and understand operator's manual before using this product</p>
	<p>Two people required when lifting equipment that exceeds 40 lbs.</p>
	<p>350 lb weight limit. Do not exceed 350 lb load on the podium.</p>

StageRight Corporation Equipment Specifications

Marching Band Podium



4 Step	OPEN	CLOSED
Weight:	77 lbs	--
Height:	58"	74"
Width:	37"	--
Depth:	59"	9"
Platform:	29" x 32"	

3 Step	OPEN	CLOSED
Weight:	69 lbs	--
Height:	48"	63"
Width:	37"	--
Depth:	50"	9"
Platform:	29" x 32"	

2 Step	OPEN	CLOSED
Weight:	43 lbs	--
Height:	40"	47 1/2"
Width:	27 1/2"	--
Depth:	47 1/2"	9 1/2"
Platform:	24" x 24"	

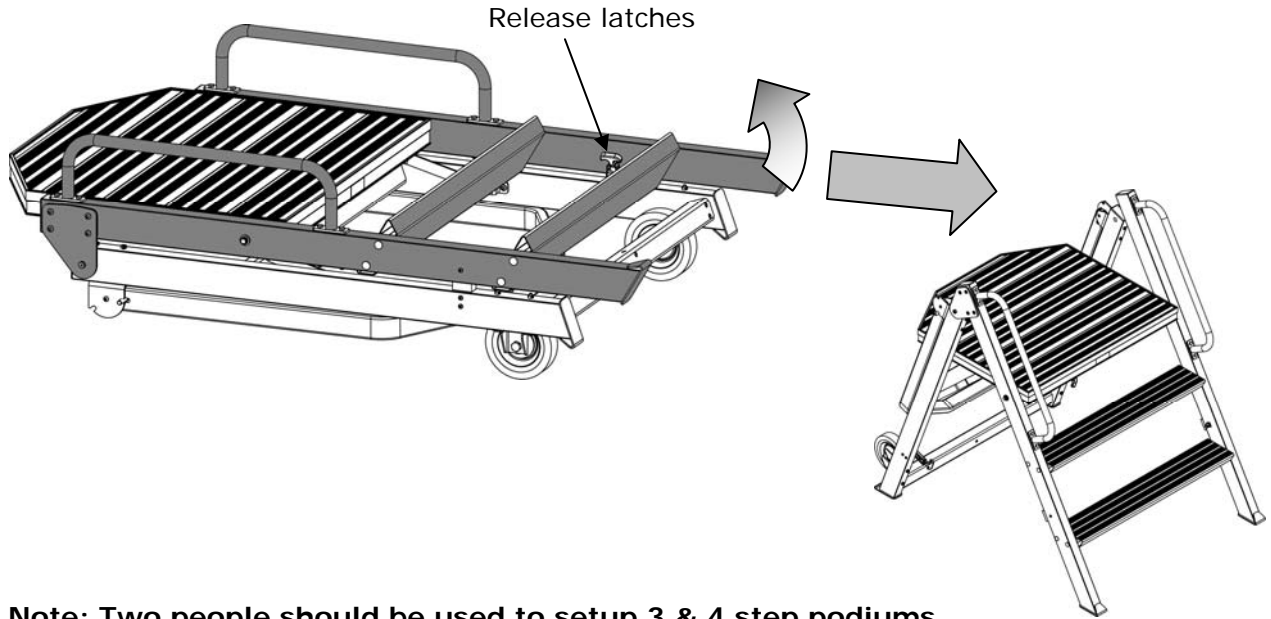
- Boundary rail can be folded up or left down according to drum major's preference.
- Integrated casters allow for easy transportation from storage to practice to performance.
- Textured aluminum platform and stair treads for traction and weather resistance.
- All pieces integrated with no separate pieces to store.
- Deep stair treads with handrails for added safety while climbing stairs.
- Positively locks in both open and closed positions for easy setup and take down.

Construction:

- ASTM A513 tubing, steel plate
- Extruded 6061-T6 Aluminum
- Polyurethane casters
- Zinc plated hardware grade 5 or equivalent
- Baked on powder coat finish

User Instructions

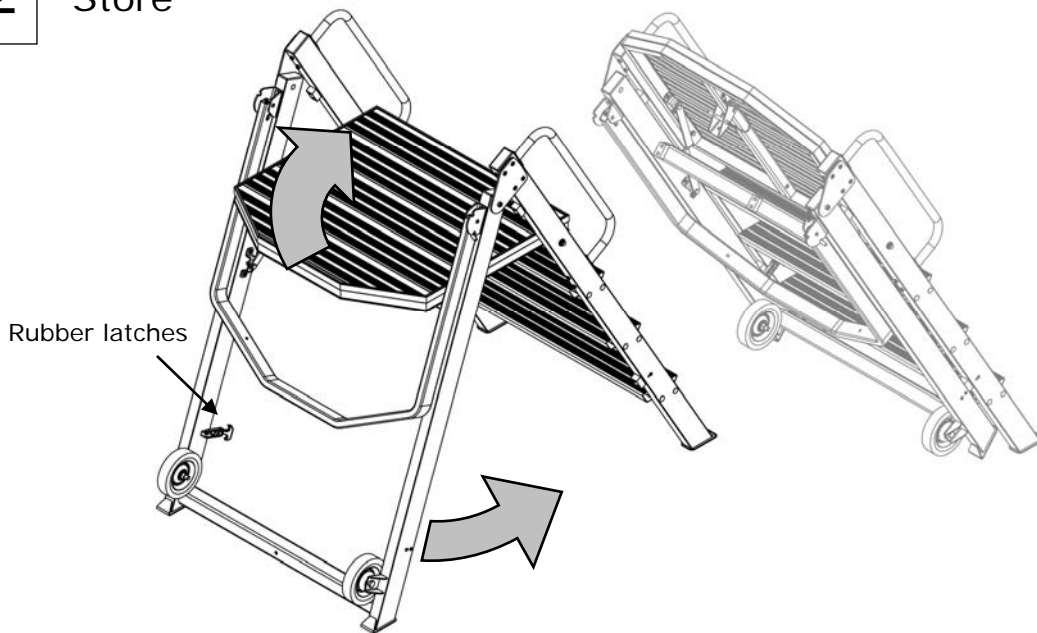
1 Setup



Note: Two people should be used to setup 3 & 4 step podiums.

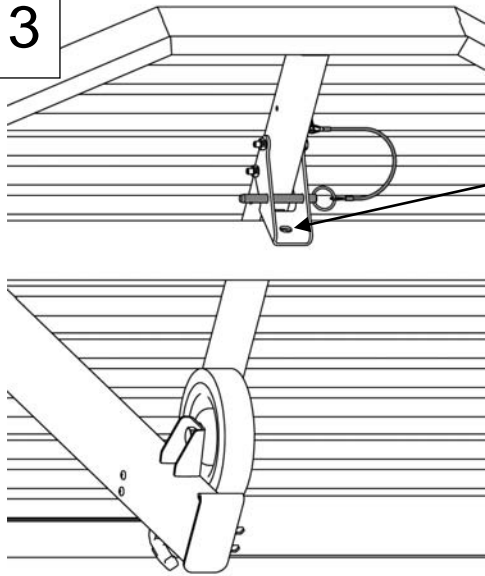
To open the Marching Band Podium, first release rubber latches, then lift stairs and pull unit toward you until it is standing upright.

2 Store

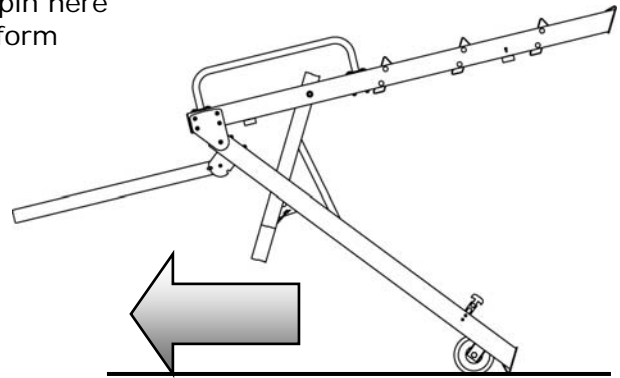


Lift the platform and walk the legs toward the stairs and lock them in place with the rubber latches. The podium can now be easily transported on its wheels, using the platform edge as a handle.

3



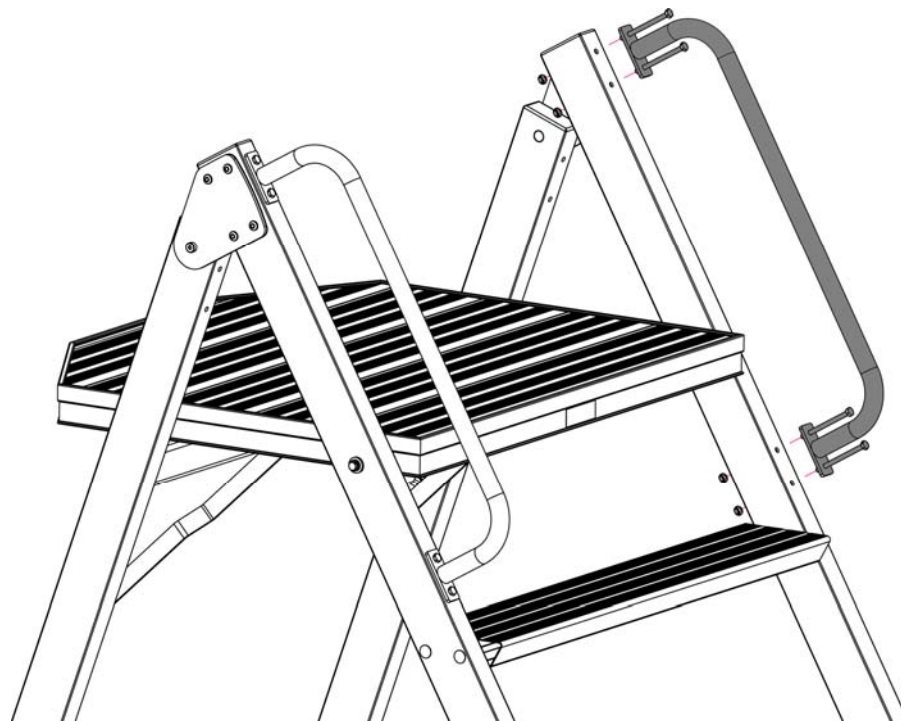
Insert lock pin here
to lock platform



The Marching Band Podium can be transported without folding it by using the lock pin under the platform. Remove the pin from its storage position, and insert it through the hole on the lock pin bracket, and through the cross brace that the platform rest on. This will lock the platform in place to safely move the podium.

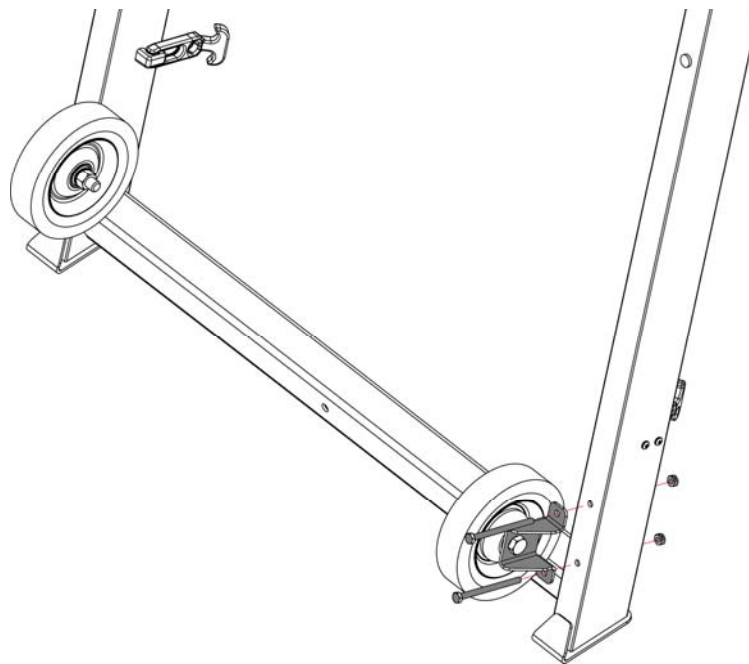
Assembly Instructions

1



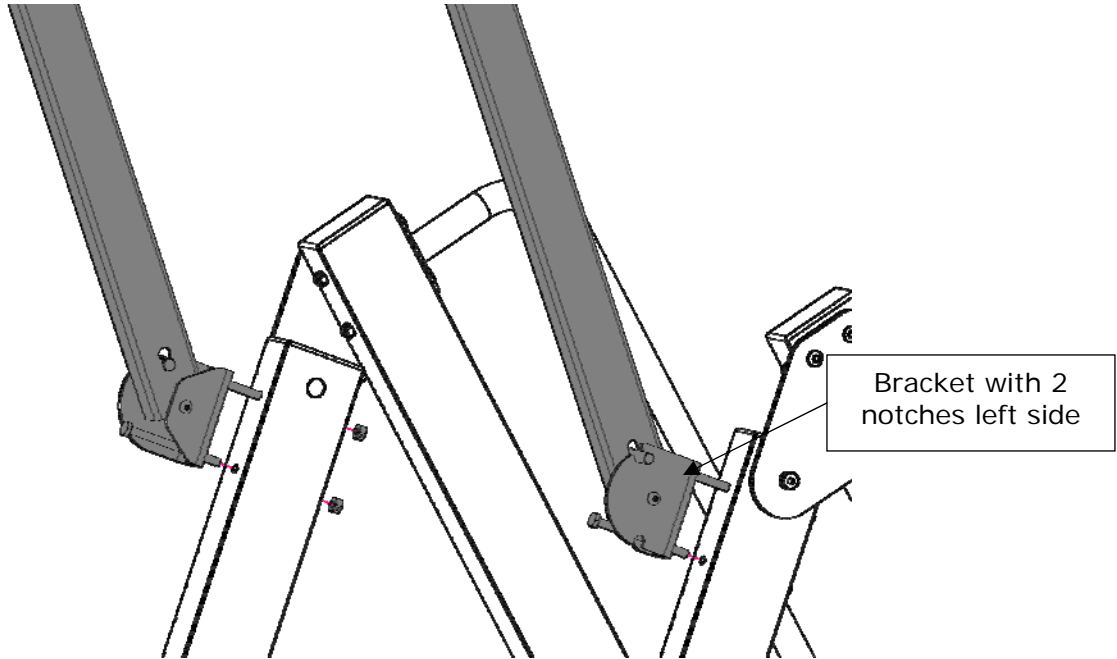
Attach handrails with $\frac{1}{4}$ " x $3 \frac{1}{2}$ " bolts and nuts. Wrench size is $\frac{7}{16}$ ".

2



Attach wheel brackets with $\frac{1}{4}$ " x $3 \frac{1}{2}$ " bolts and nuts. Wrench size is $\frac{7}{16}$ ".

3



Attach Boundary Rail brackets with $\frac{1}{4}$ " x $3 \frac{1}{2}$ " bolts and nuts. Wrench size is $\frac{7}{16}$ ". Be sure the bracket with 2 notches is on the left hand side of the podium.

Maintenance



WARNING!

Read and Understand All Maintenance Procedures

Failure to follow all procedures listed below may cause serious injury and a decrease in the equipments functional existence.

- **Frequently check to see that all fasteners are properly engaged.**
- **Touch up paint can be used to cover any scratches or blemishes sustained through use.**
- **Replace any damaged equipment with genuine StageRight parts.** Failure to do so may result in unsafe equipment and/or personal injury.

Customer Service

For parts or service contact StageRight Corporation. When ordering parts be sure to provide all relevant information available including the name and part number of the equipment purchased. This information is located on the cover of this product information package. Individual part numbers can be found on the parts list page of this product information package. Hours of phone service are Monday thru Friday from 8:00 a.m. to 5:00 p.m. Eastern Standard Time. Customers can phone toll-free at (800) 438-4499 or mail:

StageRight Corporation
495 Pioneer Parkway
Clare, Michigan 48617



SET UP IN MINUTES



STURDY, WITH NO TOOLS REQUIRED



UNSURPASSED CUSTOMER SERVICE

StageRight Corporation
495 Pioneer Parkway
Clare, MI 48617
Toll-free: 800-438-4499
Phone: 989-386-7393
Email: info@stageright.com
Web: www.stageright.com