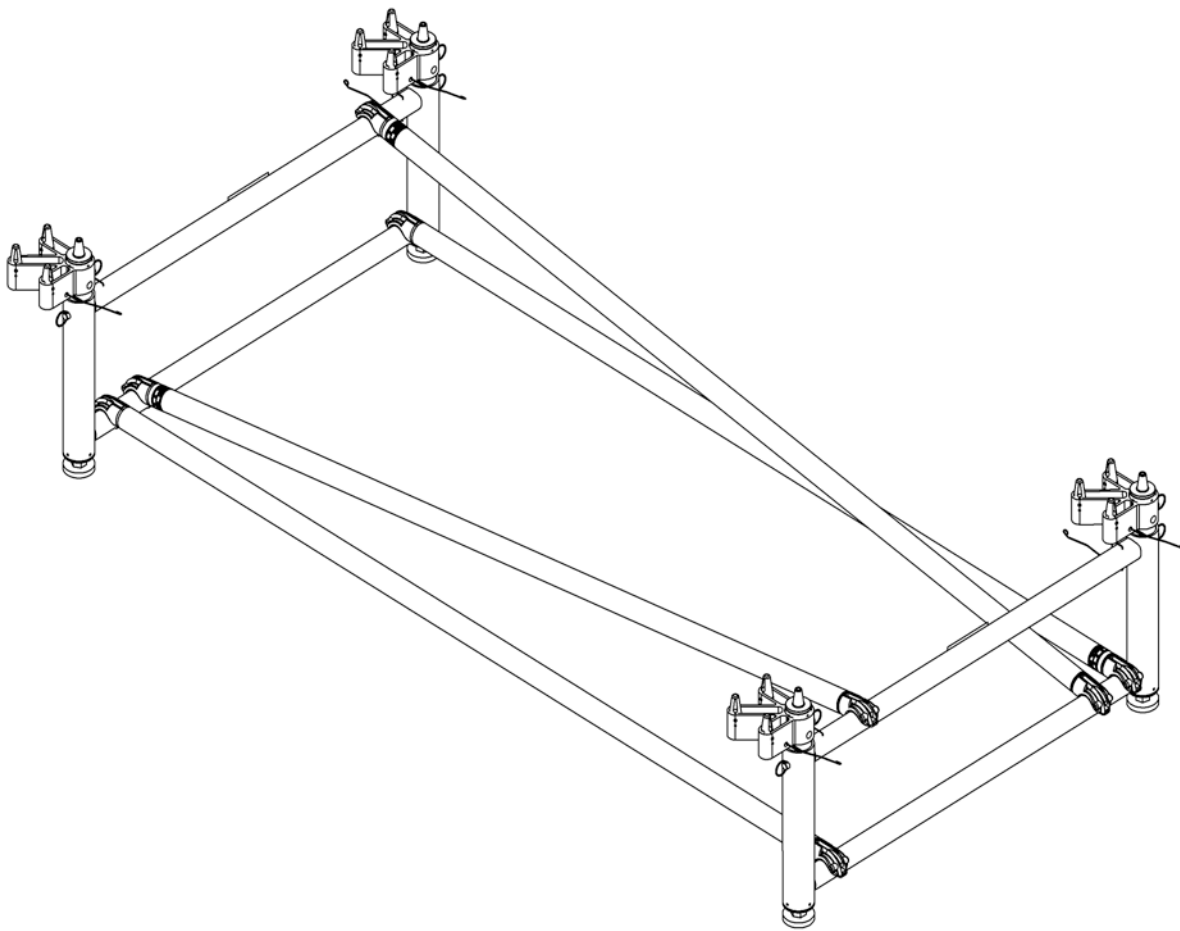




**STAGE**RIGHT

**PRODUCT INFORMATION PACKET**

PRODUCT NAME: ME – 1000AS SUPPORT SYSTEMS



**KEEP INFORMATION PACKET FOR FUTURE REFERENCE**

# Table of Contents

---

- Introduction..... 1
- General Safety Rules..... 2
- Symbols..... 3
- Technical Specifications..... 4
- Instructions..... 5
- Maintenance..... 10
- Customer Service Information..... 10

## Introduction

---

The StageRight ME-1000AS Support System has been designed and manufactured with safety, performance and dependability as top priorities, making it easy to operate and maintain.

The care you give your ME-1000AS will greatly determine your satisfaction with its performance and service life. Careful study of this manual is encouraged to obtain a thorough understanding of your new ME-1000AS and its functions and maintenance.

If your manual becomes lost or destroyed, StageRight will gladly provide you with a new copy. Should you require additional information or assistance, please feel free to contact us at 1-800-438-4499.

BECAUSE STAGERIGHT CORPORATION MAINTAINS AN ONGOING PROGRAM OF PRODUCT DEVELOPMENT AND IMPROVEMENT, WE RESERVE THE RIGHT TO MAKE IMPROVEMENTS IN DESIGN OR CHANGES IN SPECIFICATIONS WITHOUT INCURRING ANY OBLIGATIONS TO INSTALL THEM ON UNITS PREVIOUSLY SOLD.

# General Safety Rules

---



## **WARNING!**

### **READ AND UNDERSTAND ALL INSTRUCTIONS.**


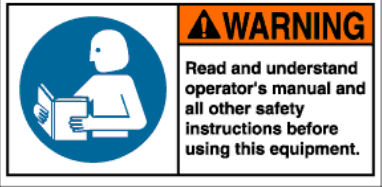

Failure to follow all instructions listed below may result in serious personal injury.

---

## **SAVE THESE INSTRUCTIONS**

- **Stay clear of all pinch points.**
- **Make sure that all fasteners are properly engaged before use.** Faspins and jam nuts need to be properly engaged before use.
- **Make sure that all decks are positioned properly onto the support system.**
- **Save these instructions.** Refer to them frequently and use them to instruct others who may use the ME – 1000 SUPPORT SYSTEM.
- **Read the Product Information Packet.** Failure to read the information packet is considered a misuse of this equipment.
- **Become familiar with all caution and warning decals affixed to the support system before use.**
- **Never cover or deface caution/warning labels.**

# Symbols

	<p><b>Safety Alert:</b> Precautions that involve your safety</p>
	<p><b>Read The Operator's Manual:</b> To reduce risk of injury, user must read and understand operator's manual before using this product</p>
	<p><b>Pinch Point Warning Label:</b> Failure to keep hands away from pinch points will result in personal injury</p>

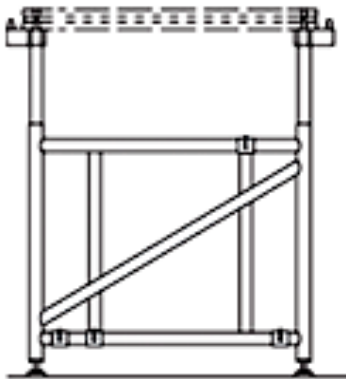
# StageRight Corporation Technical Specifications

## ME - 1000AS Support System, Arena Style

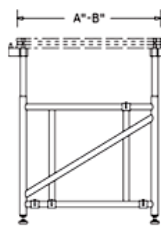
PART #	DESCRIPTION	WT. (LB.)	SHIPPING DIM.
314210	24"-36" Adjustable Height	72	110" x 48" x 6"
314212	32"-48" Adjustable Height	79	110" x 48" x 6"
314215	36"-56" Adjustable Height	86	110" x 48" x 6"
314220	48"-78" Adjustable Height	108	110" x 48" x 6"

### Arena Style:

Arena Style for level environments such as auditoriums and concert halls.



### END VIEW:

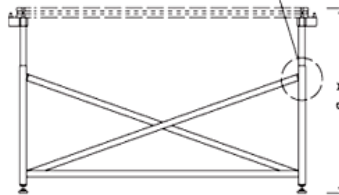


### Self - Locking Hooks:

Horizontal and diagonal braces attach to frame by self-locking hooks that require manual release.



### SIDE VIEW:



### TOP VIEW:

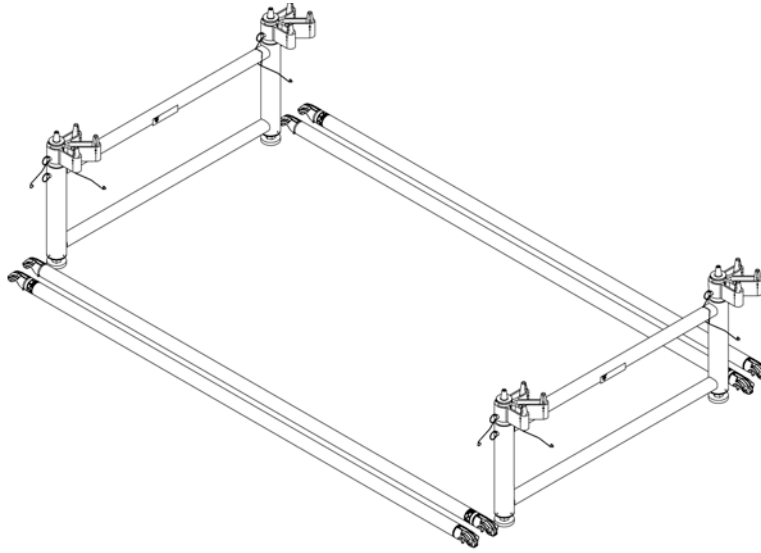


### Construction, Finish, and Hardware

- Constructed of ASTM specified aluminum
- Baked-on powder coat finish.
- Zinc-plated hardware

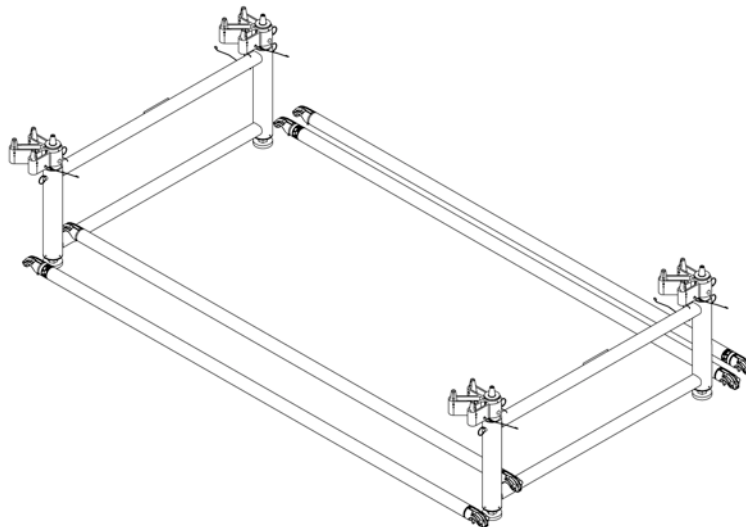
# Instructions

1



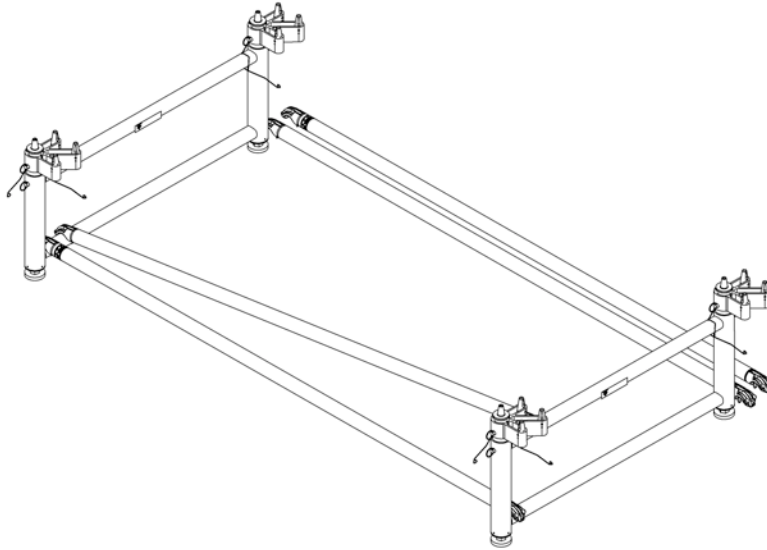
Begin the assembly of your ME – 1000 Support System by laying out the components as shown above. Take note that the horizontal braces are marked with a green sticker, and diagonal braces are marked with a yellow sticker. Assembly of this structure should be done with at least two people and tools are not required.

2



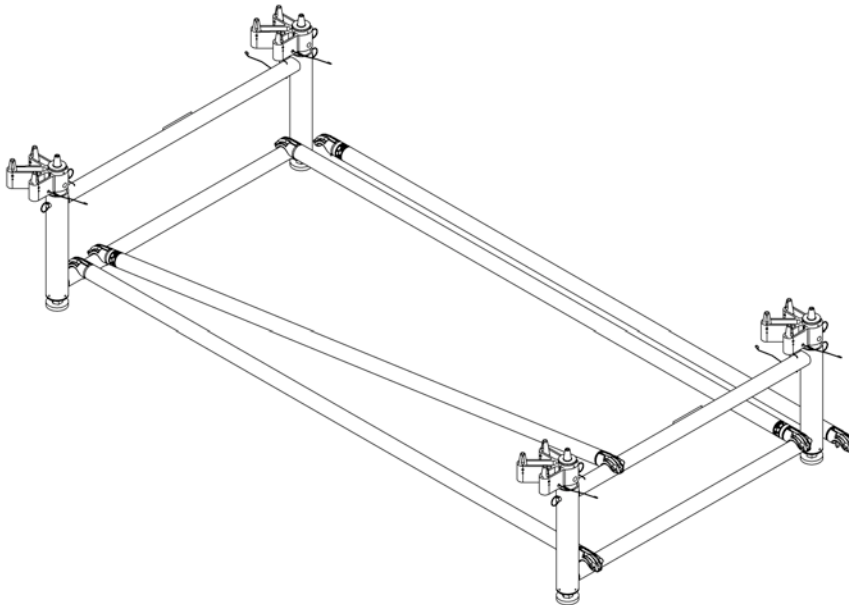
Start by assembling one of the horizontal braces as shown above. Attach one end of the horizontal brace to an H-section and then move the opposite section accordingly so that it can be hooked by the other end of the brace. It is recommended that you attach the horizontal braces as close as possible to the vertical tube of the H-section.

3



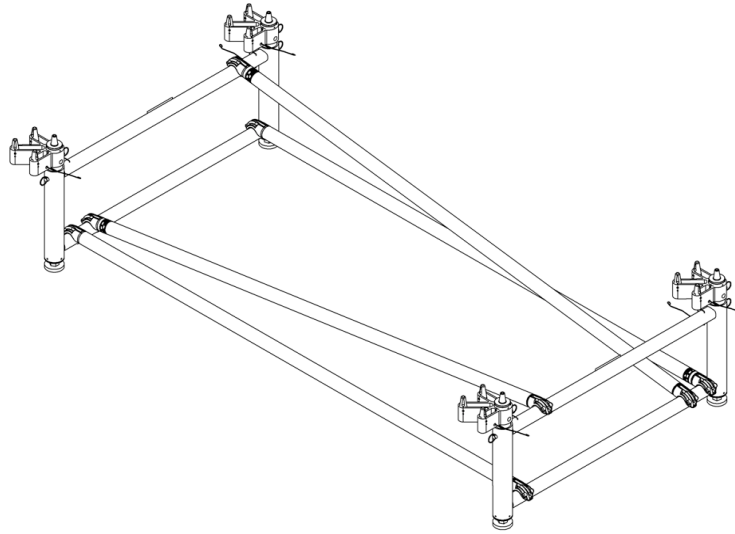
Next attach one of the diagonal braces to the assembly as shown above. Simply attach one end of the brace to the lower level of the H-section and then attach the opposite end to the top level of the H-section.

4



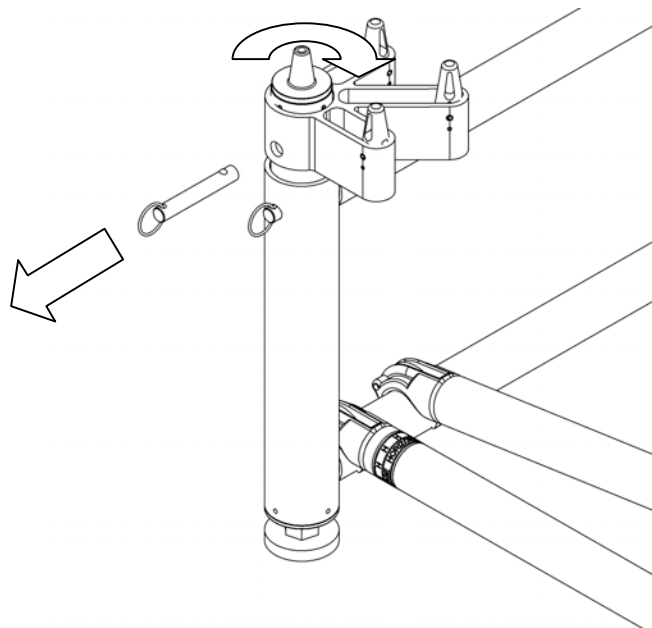
Attach the remaining horizontal brace as before.

5



Complete the assembly by attaching the final diagonal brace.

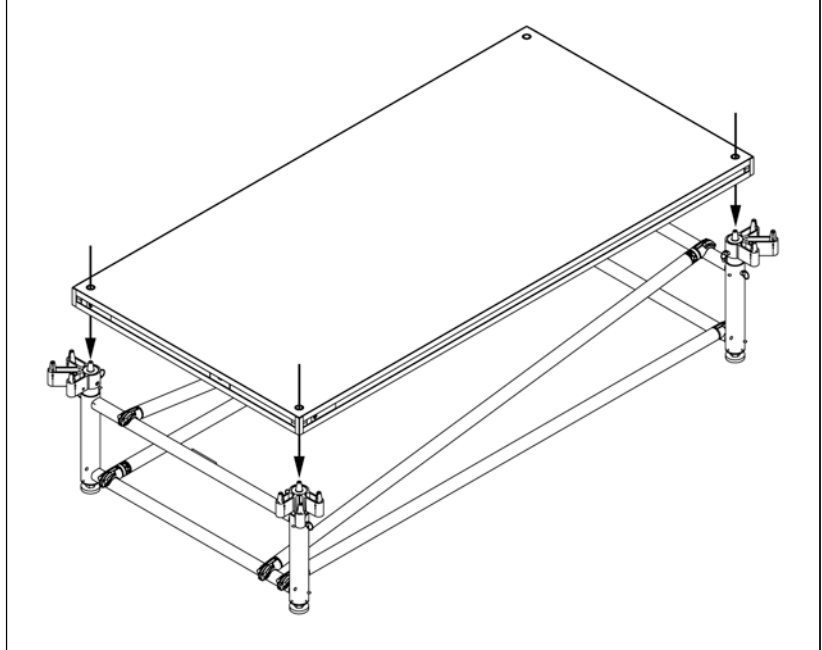
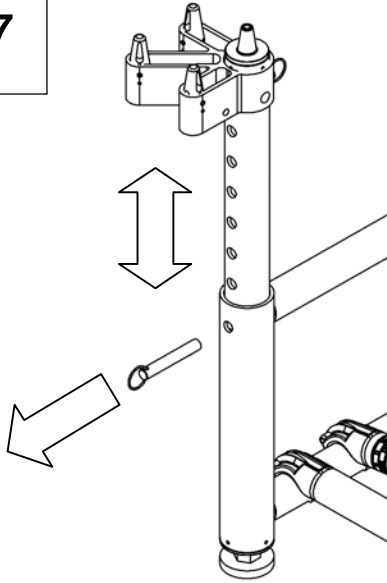
6



To change the position of the locator nodes begin by removing the quick pin that keeps the locator assembly in place. Rotate the locator assembly to the desired position and then re-insert the faspin.

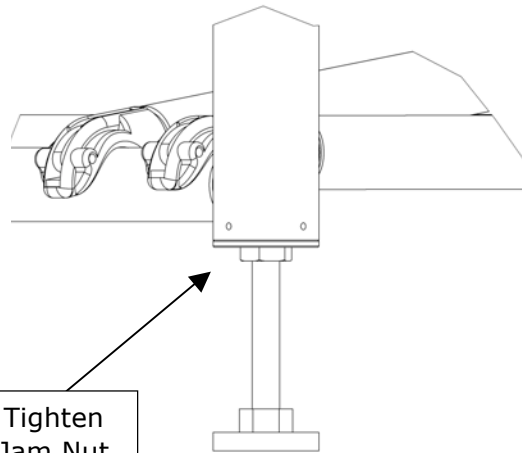
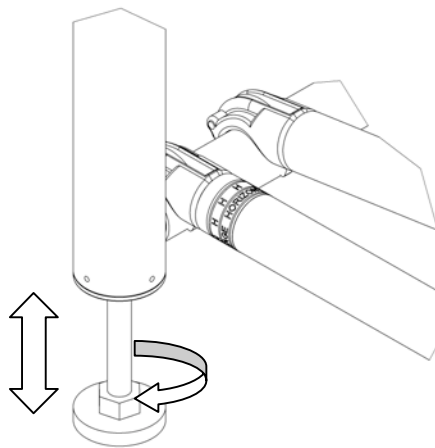


7



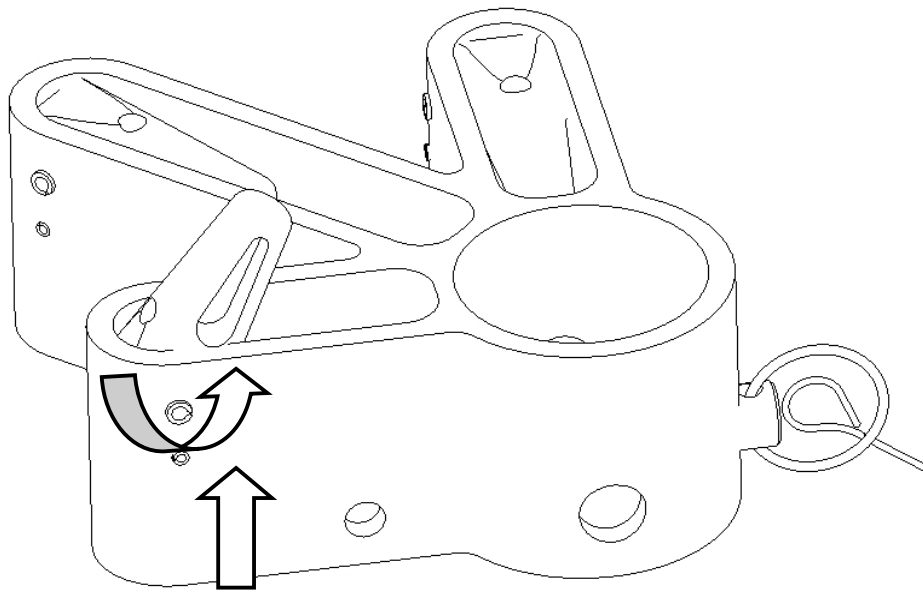
To select stage heights in two inch increments, simply remove the faspins from the leg tubes and then raise or lower the tubes to the desired height. Once the desired height is obtained, re-insert the faspins. Install decks by locating holes in deck over the nodes on the understructure. **Two people required!**

8



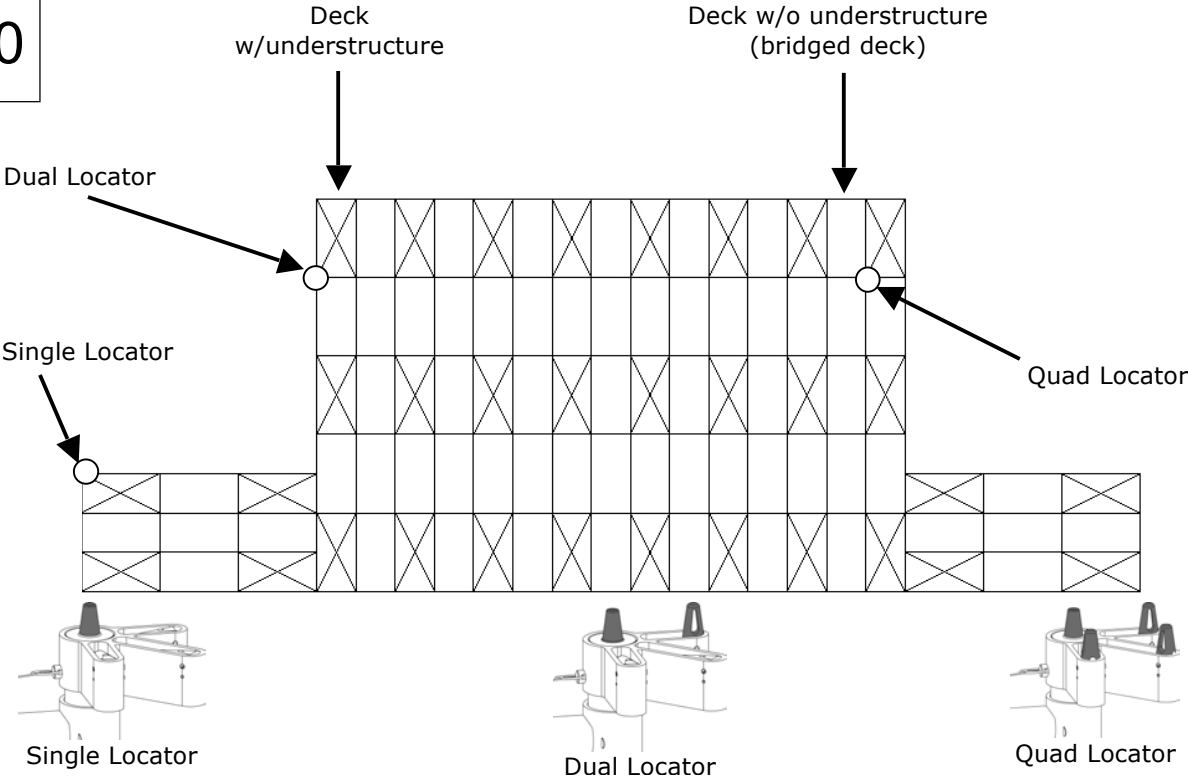
To level the deck after it has been placed on the ME-1000 Support System, simply raise or lower the adjustable screw feet by threading them in or out. Once the deck has been leveled, go back and tighten down all of the jam nuts on the screw feet to hold that position.

9



To raise or lower a node on a retractable locator assembly, grip the node with your thumb and middle finger to direct it forward and upward.

10



Align understructures as shown, using proper locator combinations and bridge decks to save understructure setup and leveling time.

## Maintenance

---



### **WARNING!**

#### **Read and Understand All Maintenance Procedures**

Failure to follow all procedures listed below may cause serious injury and a decrease in the equipments functional existence.

---

- **Frequently check to see that all fasteners are properly engaged.**
- **Touch up paint can be used to cover any scratches or blemishes sustained through use.**
- **Replace any damaged equipment with genuine StageRight parts.** Failure to do so may result in unsafe equipment and/or personal injury.

## Customer Service

---

For parts or service contact StageRight Corporation. When ordering parts be sure to provide all relevant information available including the name and part number of the equipment purchased. This information is located on the technical specification page of this product information package. Customer Service hours are Monday thru Friday from 8:00 a.m. to 5:00 p.m. Eastern Standard Time. Customers can phone toll-free at (800) 438-4499 or mail:

StageRight Corporation  
495 Pioneer Parkway  
Clare, Michigan 48617  
[www.stageright.com](http://www.stageright.com)



SET UP IN MINUTES



STURDY, WITH NO TOOLS REQUIRED



UNSURPASSED CUSTOMER SERVICE

StageRight Corporation  
495 Pioneer Parkway  
Clare, MI 48617  
Toll-free: 800-438-4499  
Phone: 989-386-7393  
Fax: 989-386-3500  
Email: [info@stageright.com](mailto:info@stageright.com)  
Web: [www.stageright.com](http://www.stageright.com)