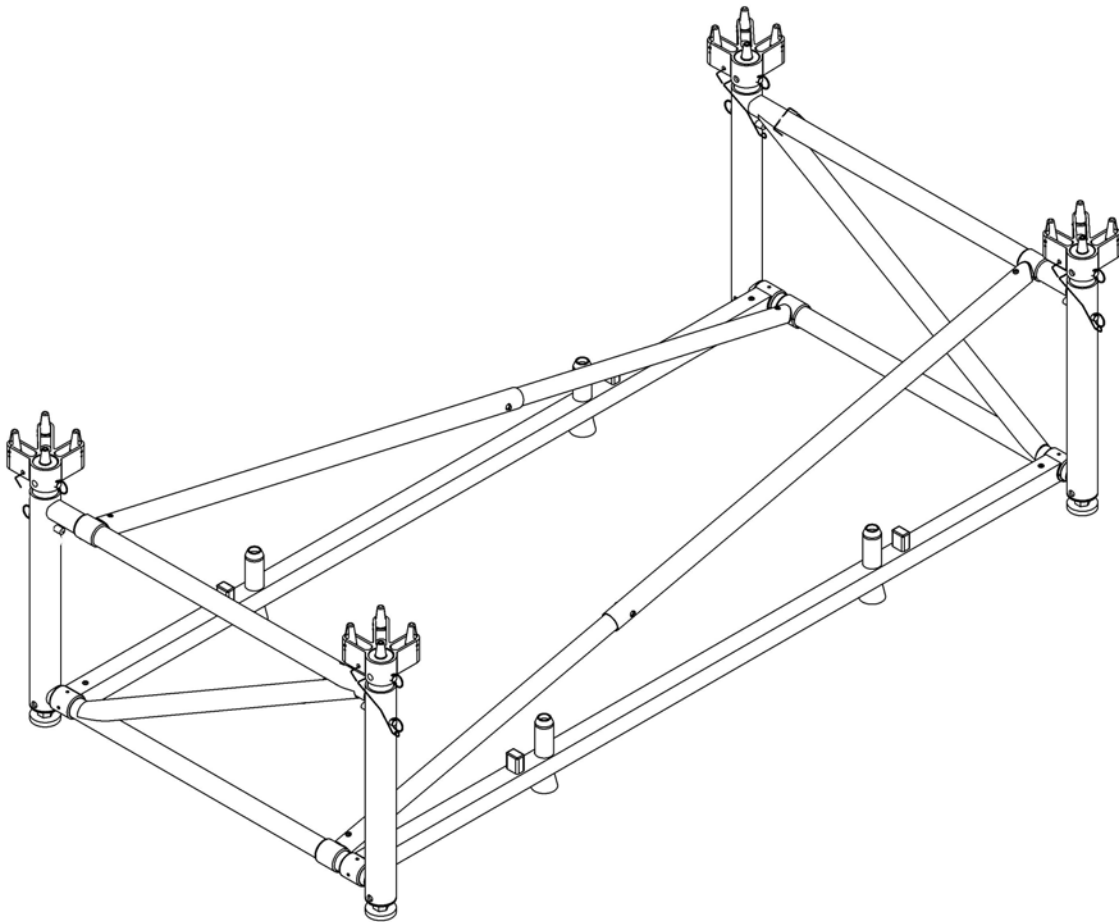




STAGE RIGHT

PRODUCT INFORMATION PACKET

PRODUCT NAME: ME – 500 SUPPORT SYSTEMS



KEEP INFORMATION PACKET FOR FUTURE REFERENCE

Table of Contents

- Introduction.....1
- General Safety Rules.....2
- Symbols.....3
- Technical Specifications.....4
- Instructions.....5
- Maintenance.....8
- Customer Service Information.....8

Introduction

The StageRight ME-500 Support System has been designed and manufactured with safety, performance and dependability as top priorities, making it easy to operate and maintain.

The care you give your ME-500 will greatly determine your satisfaction with its performance and service life. Careful study of this manual is encouraged to obtain a thorough understanding of your new ME-500 and its functions and maintenance.

If your manual becomes lost or destroyed, StageRight will gladly provide you with a new copy. Should you require additional information or assistance, please feel free to contact us at 1-800-438-4499.

BECAUSE STAGERIGHT CORPORATION MAINTAINS AN ONGOING
PROGRAM OF PRODUCT DEVELOPMENT AND IMPROVEMENT, WE
RESERVE THE RIGHT TO MAKE IMPROVEMENTS IN DESIGN OR CHANGES
IN SPECIFICATIONS WITHOUT INCURRING ANY OBLIGATIONS TO INSTALL
THEM ON UNITS PREVIOUSLY SOLD.

General Safety Rules



WARNING!


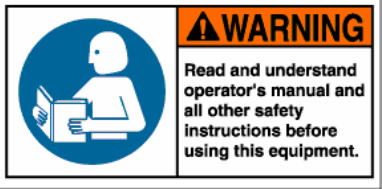

READ AND UNDERSTAND ALL INSTRUCTIONS.

Failure to follow all instructions listed below may result in serious personal injury.

SAVE THESE INSTRUCTIONS

- **Stay clear of all pinch points.**
- **Make sure that all fasteners are properly engaged before use.** Faspins, button stops, and jam nuts need to be properly engaged before use.
- **Make sure that all decks are positioned properly onto the support system.**
- **Save these instructions.** Refer to them frequently and use them to instruct others who may use the ME – 500 SUPPORT SYSTEM.
- **Read the Product Information Packet.** Failure to read the information packet is considered a misuse of this equipment.
- **Become familiar with all caution and warning decals affixed to the support system before use.**
- **Never cover or deface caution/warning labels.**

Symbols

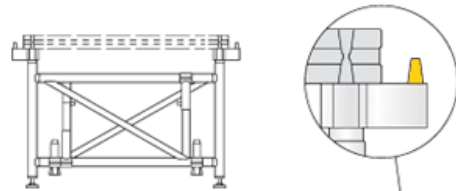
	<p>Safety Alert: Precautions that involve your safety</p>
	<p>Read The Operator's Manual: To reduce risk of injury, user must read and understand operator's manual before using this product</p>
	<p>Pinch Point Warning Label: Failure to keep hands away from pinch points will result in personal injury</p>

StageRight Corporation Technical Specifications

ME - 500 SUPPORT SYSTEMS

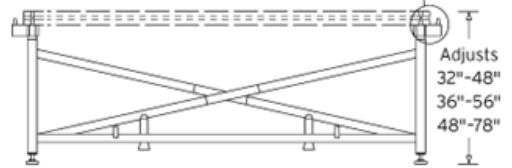
PART #	DESCRIPTION	WT. (LB.)	SHIPPING DIM.
319532	32"-48" Adjustable Height	125	47" x 102" x 11"
319536	36"-56" Adjustable Height	130	47" x 102" x 11"
319548	48"-78" Adjustable Height	155	47" x 102" x 11"

END VIEW:



Support assembly has quick-set height selector and crossbars for added stability.

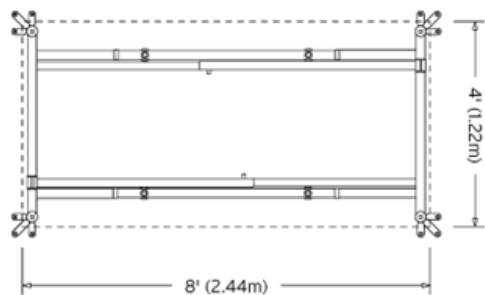
SIDE VIEW:



SIDE VIEW: Storage Position



TOP VIEW:

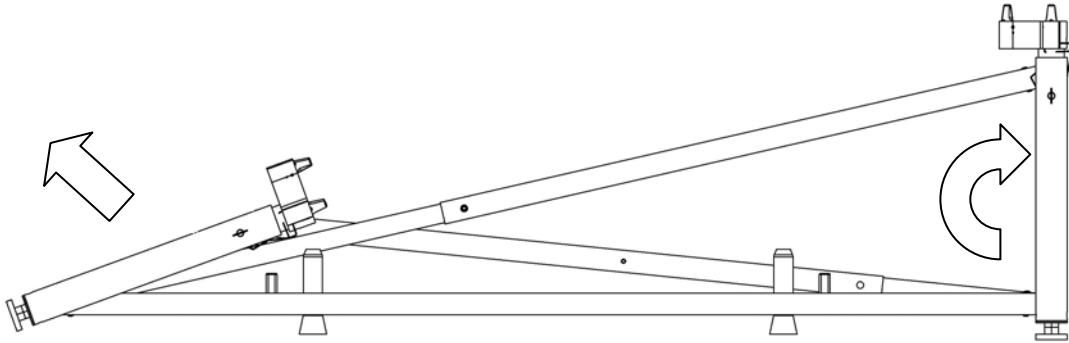


Construction, Finish, and Hardware

- UHMW-PE bushings
- Locator nodes made of high strength nylon
- Constructed of ASTM specified aluminum
- Molded urethane foot boss
- Baked-on powder coat finish.
- Zinc-plated hardware

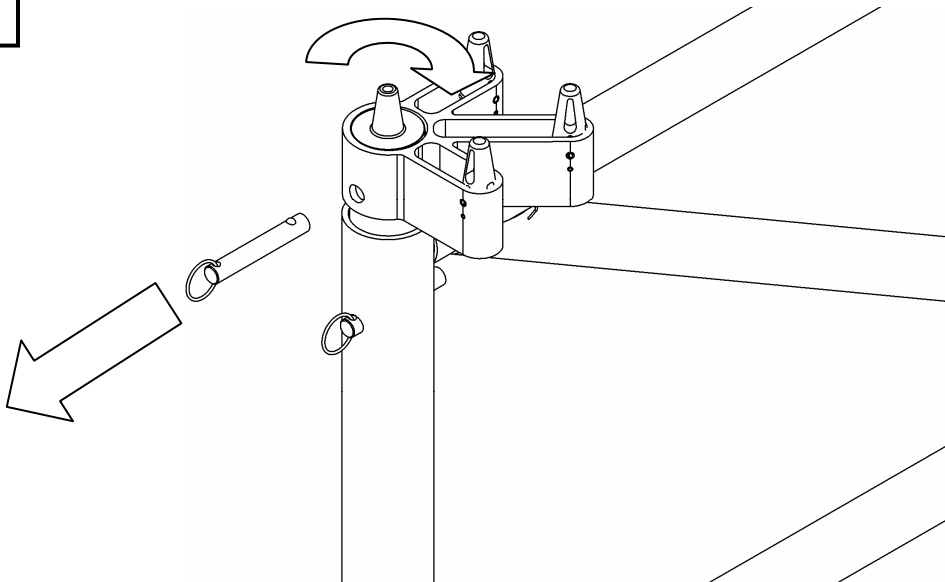
Instructions

1



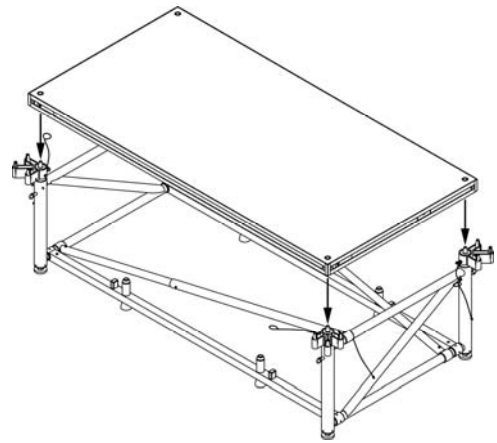
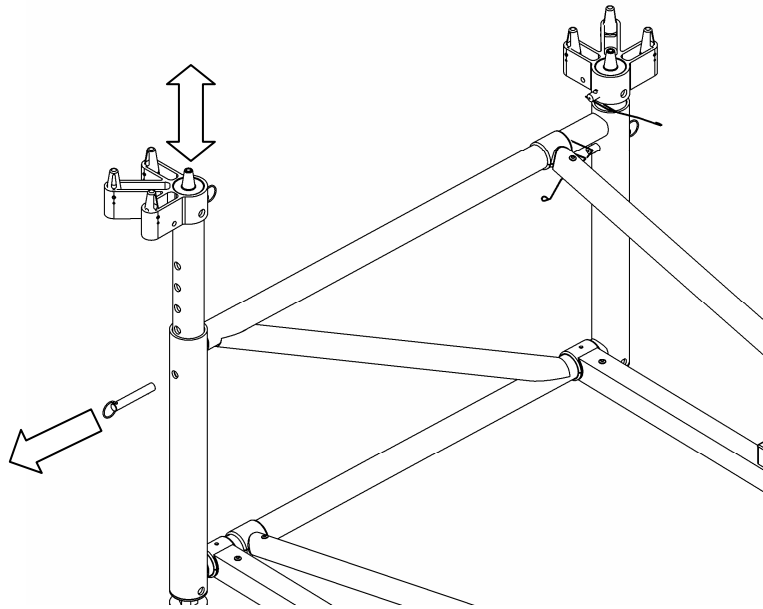
To set up your ME-500 Support System, begin by unfolding the unit as shown. Rotate the side tubes to their vertical positions until the button stops are engaged. To lower the unit back into the storage position, disengage the button stops and rotate the side tubes down to their horizontal positions.

2



To change the position of the retractable locator assembly begin by removing the faspin that keeps the locator assembly in place. Rotate the locator assembly to the desired position and then re-insert the faspin.

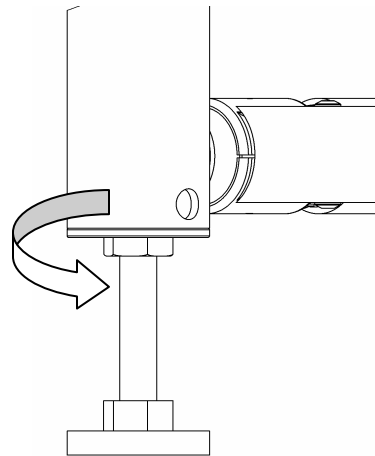
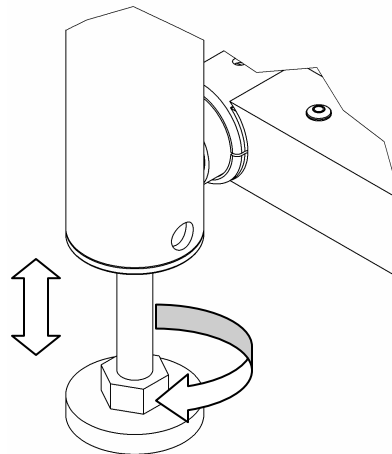
3



Place decks on locator nodes as shown.

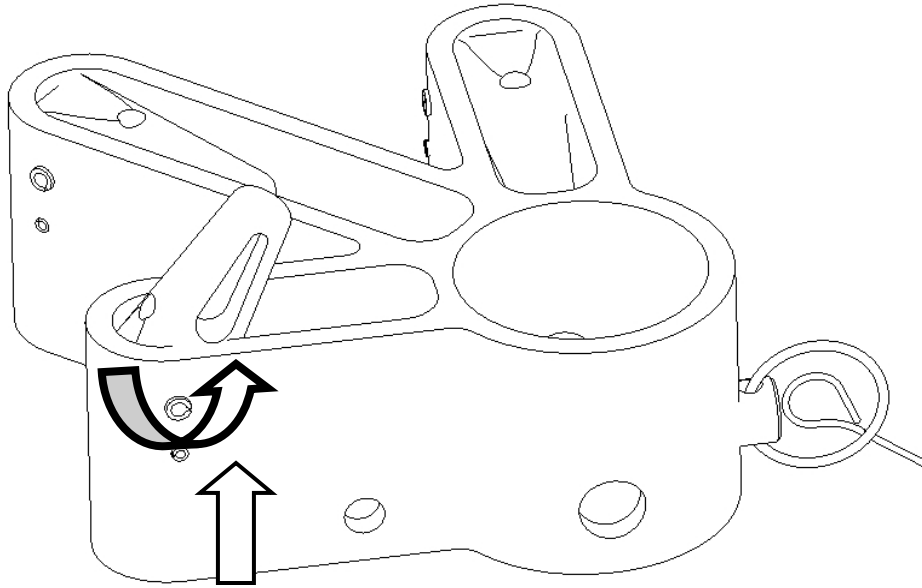
To select stage heights in two inch increments, simply remove the faspins from the leg tubes and then raise or lower the tubes to the desired height. Once the desired height is obtained, re-insert the faspins.

4



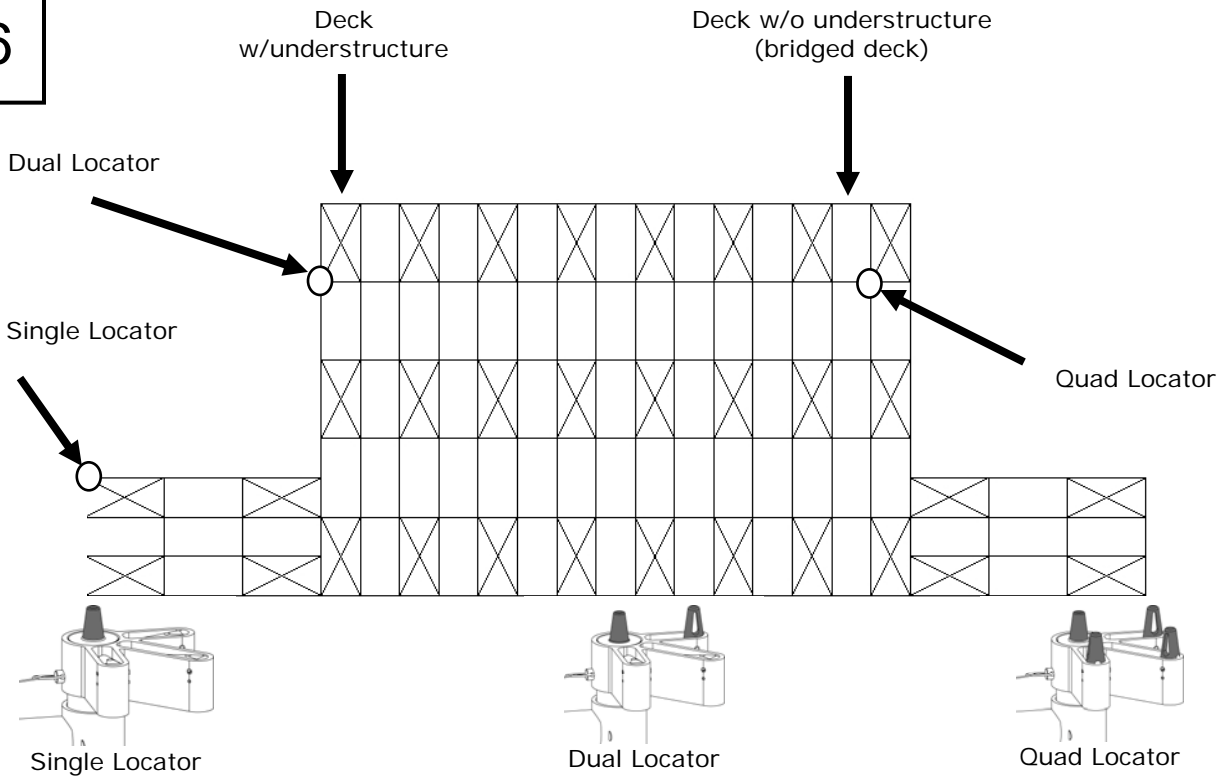
To level the deck after it has been placed on the ME-500 Support System, simply raise or lower the adjustable screw feet by threading them in or out. Once the deck has been leveled, go back and tighten down all of the jam nuts on the screw feet to hold that position.

5



To raise or lower a node on a retractable locator assembly, grip the node with your thumb and middle finger to direct it forward and upward.

6



Align understructures as needed, using proper locator combinations and bridged decks to save understructure setup and leveling time.

Maintenance



WARNING!

Read And Understand All Maintenance Procedures

Failure to follow all procedures listed below may cause serious injury and a decrease in the equipments functional existence.

- **Frequently check to see that all fasteners are properly engaged.**
- **Touch up paint can be used to cover any scratches or blemishes sustained through use.**
- **Replace any damaged equipment with genuine StageRight parts.** Failure to do so may result in unsafe equipment and/or personal injury.

Customer Service

For parts or service contact StageRight Corporation. When ordering parts be sure to provide all relevant information available including the name and part number of the equipment purchased. This information is located on the technical specification page of this product information package. Customer Service hours are Monday thru Friday from 8:00 a.m. to 5:00 p.m. Eastern Standard Time. Customers can phone toll-free at (800) 438-4499 or mail:

StageRight Corporation
495 Pioneer Parkway
Clare, Michigan 48617
www.stageright.com



SET UP IN MINUTES



STURDY, WITH NO TOOLS REQUIRED



UNSURPASSED CUSTOMER SERVICE

StageRight Corporation
495 Pioneer Parkway
Clare, MI 48617
Toll-free: 800-438-4499
Phone: 989-386-7393
Fax: 989-386-3500
Email: info@stageright.com
Web: www.stageright.com