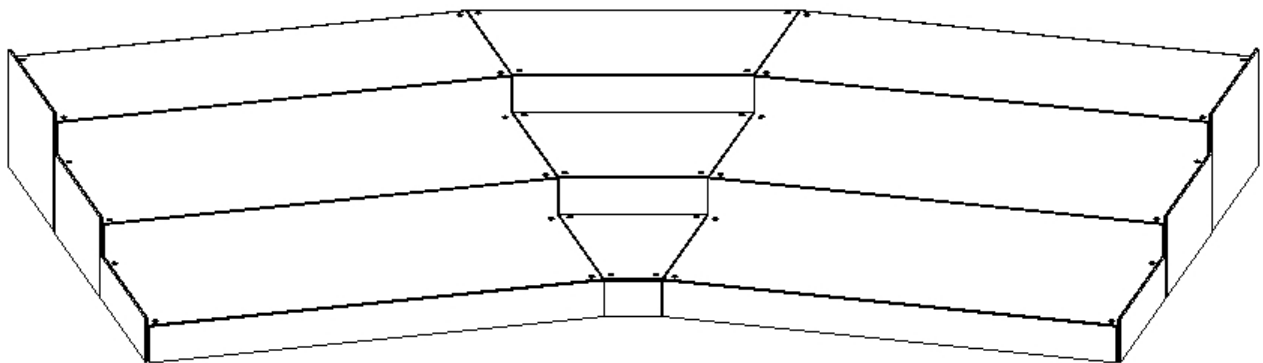




STAGE RIGHT

PRODUCT INFORMATION PACKET

PRODUCT NAME: MR-3 Seated Choral & MR-4 Seated Band Riser



KEEP INFORMATION PACKET FOR FUTURE REFERENCE

Table of Contents

- Introduction.....1
- General Safety Rules.....2
- Symbols.....3
- Technical Specifications.....4
- Instructions.....5
- Maintenance.....8
- Customer Service Information.....8

Introduction

The StageRight MR-3 Seated Choral & MR-4 Seated Band Riser have been designed and manufactured with safety, performance and dependability as top priorities, making it easy to operate and maintain.

The care you give your MR-3 or MR-4 will greatly determine your satisfaction with its performance and service life. Careful study of this manual is encouraged to obtain a thorough understanding of your new MR-3 or MR-4 and its functions and maintenance.

If your manual becomes lost or destroyed, StageRight will gladly provide you with a new copy. Should you require additional information or assistance, please feel free to contact us at 1-800-438-4499.

BECAUSE STAGERIGHT CORPORATION MAINTAINS AN ONGOING
PROGRAM OF PRODUCT DEVELOPMENT AND IMPROVEMENT, WE
RESERVE THE RIGHT TO MAKE IMPROVEMENTS IN DESIGN OR CHANGES
IN SPECIFICATIONS WITHOUT INCURRING ANY OBLIGATIONS TO INSTALL
THEM ON UNITS PREVIOUSLY SOLD.

General Safety Rules



WARNING!


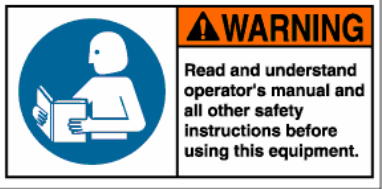

READ AND UNDERSTAND ALL INSTRUCTIONS.

Failure to follow all instructions listed below may result in serious personal injury.

SAVE THESE INSTRUCTIONS

- **Stay clear of all pinch points.**
- **Make sure that all fasteners are properly engaged before use.** Faspins, button stops, and jam nuts need to be properly engaged before use.
- **Make sure that all decks are positioned properly onto the support system.**
- **Save these instructions.** Refer to them frequently and use them to instruct others who may use the MR-3 or MR-4.
- **Read the Product Information Packet.** Failure to read the information packet is considered a misuse of this equipment.
- **Become familiar with all caution and warning decals affixed to the support system before use.**
- **Never cover or deface caution/warning labels.**

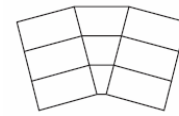
Symbols

	<p>Safety Alert: Precautions that involve your safety</p>
	<p>Read The Operator's Manual: To reduce risk of injury, user must read and understand operator's manual before using this product</p>
	<p>Pinch Point Warning Label: Failure to keep hands away from pinch points will result in personal injury</p>

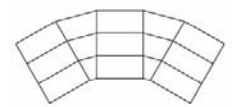
StageRight Corporation Technical Specifications

MR-3 Seated Choral & MR-4 Seated Band Riser

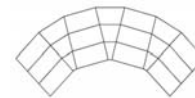
Capacity	Style	Level Depth	Dimensions	Weight	Part #
30	MR-3	3'	21'1"Wx10'9"D	1250	309303
	MR-4	4'	22'8"Wx13'8"D	1300	309304
50	MR-3	3'	32'9"Wx13'3"D	1870	303503
	MR-4	4'	35'10"Wx16'3"D	1970	309504
65	MR-3	3'	42'3"Wx16'11"D	3180	309653
	MR-4	4'	46'6"Wx19'10"D	3340	309654
70	MR-3	3'	48'9"Wx13'3"D	3670	354869
	MR-4	4'	51'9"Wx16'3"D	3850	354870
75	MR-3	3'	47'10"Wx17'9"	4100	354874
	MR-4	4'	53'8"Wx20'8"D	4300	354875
85	MR-3	3'	58'11"Wx10'D	5170	309853
	MR-4	4'	64'2"Wx13'D	5480	309854
95	MR-3	3'	45'10"Wx18'11"	5290	309953
	MR-4	4'	51'10"Wx21'11"D	5680	309954



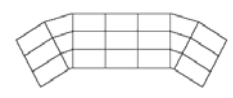
30 Person



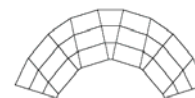
50 Person



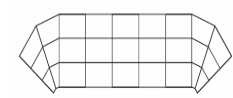
65 Person



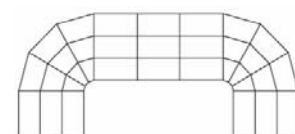
70 Person



75 Person



85 Person



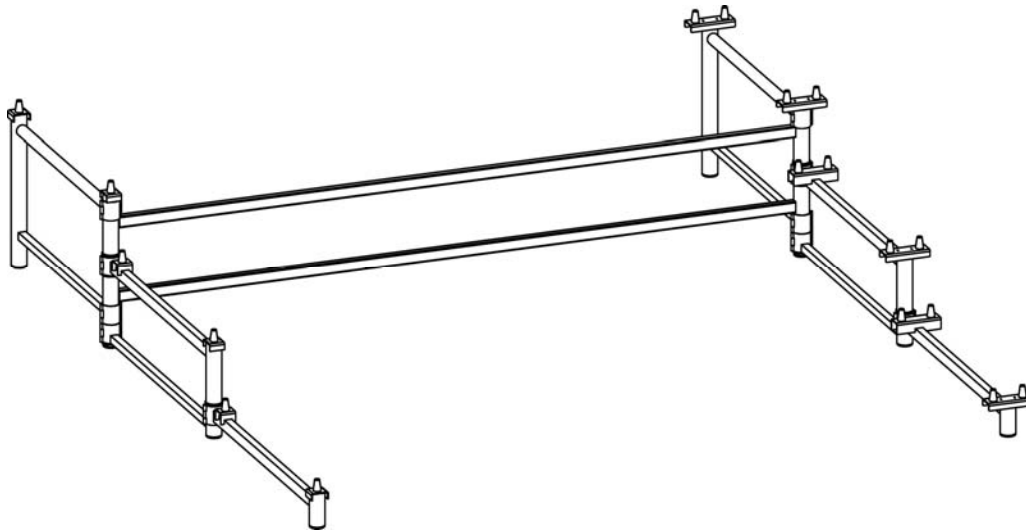
95 Person

Construction, Finish, and Hardware

- UHMW-PE bushings
- Locator nodes made of high strength nylon
- Constructed of ASTM specified steel
- Molded urethane foot boss
- Baked-on powder coat finish.
- Zinc-plated hardware

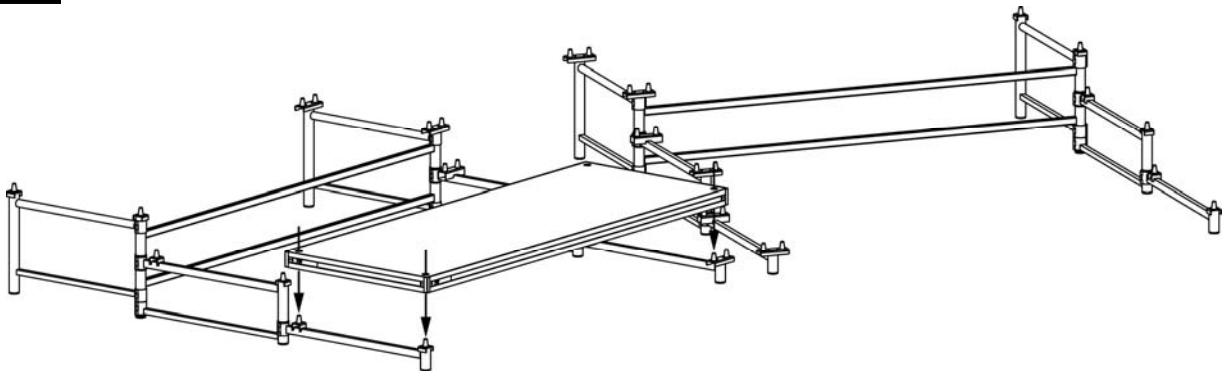
Instructions

1



Unfold each understructure section approximately as shown. Place each section in appropriate position related to size of the riser being built.

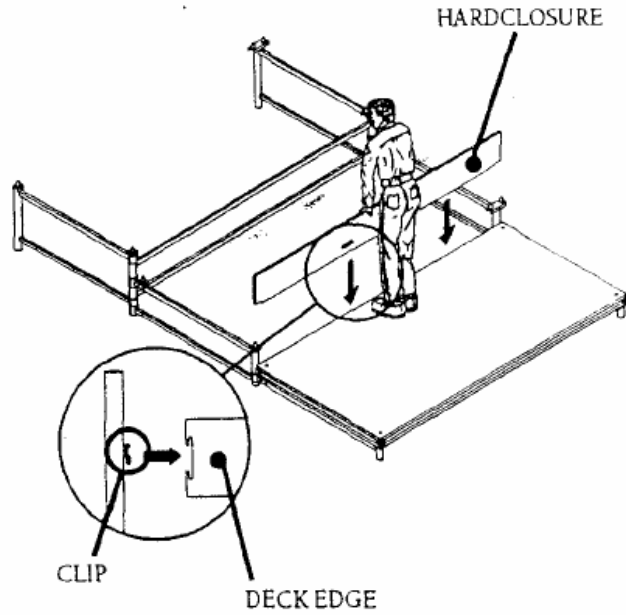
2



Note: Two people are needed for this portion of the setup

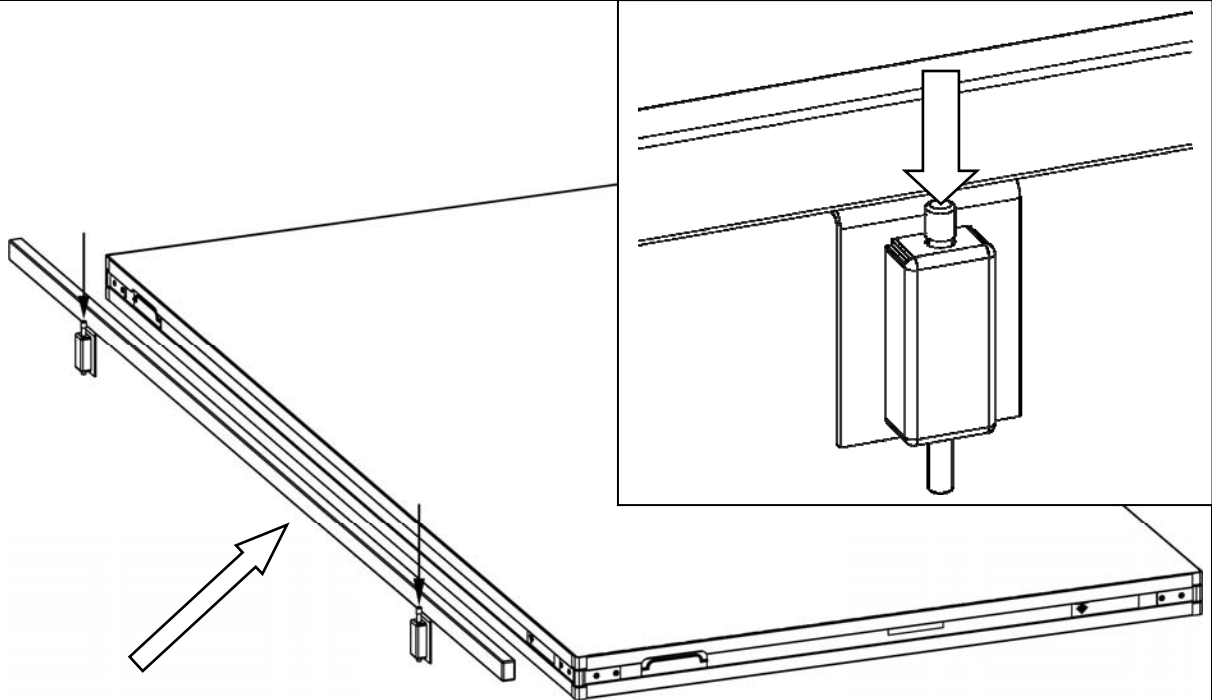
Place **lowest** deck onto nodes...

3



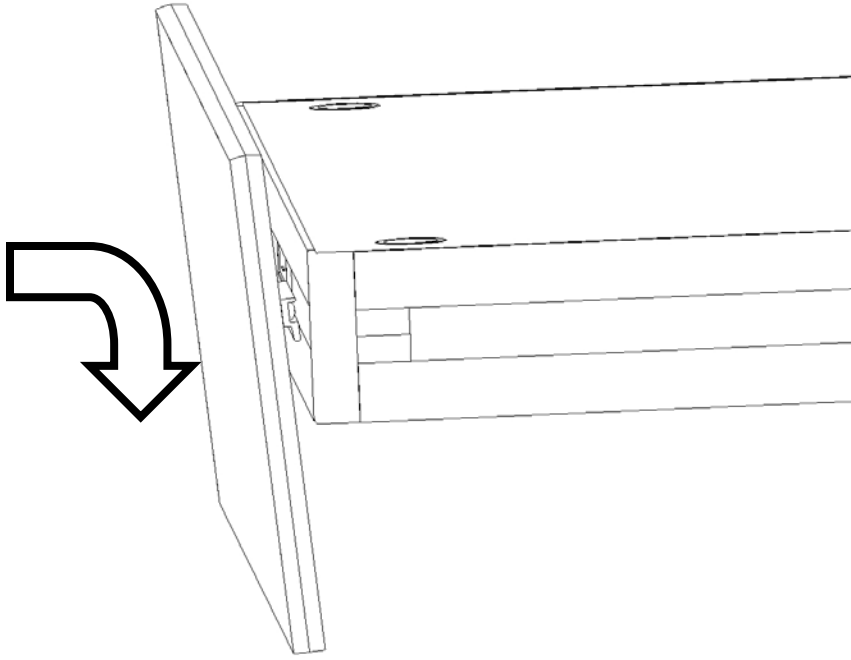
Attach hardclosure to the deck's back edge by holding it with the clips facing the deck. Lower the hardclosure, inserting the clips into the edging. Repeat Steps 2 and 3 until complete.

4



To attach chair stops, press down both Spring Lock Pins, insert into slot on edge of deck, and release Spring Lock Pins

5



To attach side and front closure panels, insert bracket into slot of deck as shown.

Maintenance



WARNING!

Read And Understand All Maintenance Procedures

Failure to follow all procedures listed below may cause serious injury and a decrease in the equipments functional existence.

- **Frequently check to see that all fasteners are properly engaged.**
- **Touch up paint can be used to cover any scratches or blemishes sustained through use.**
- **Replace any damaged equipment with genuine StageRight parts.** Failure to do so may result in unsafe equipment and/or personal injury.

Customer Service

For parts or service contact StageRight Corporation. When ordering parts be sure to provide all relevant information available including the name and part number of the equipment purchased. This information is located on the technical specification page of this product information package. Customer Service hours are Monday thru Friday from 8:00 a.m. to 5:00 p.m. Eastern Standard Time. Customers can phone toll-free at (800) 438-4499 or mail:

StageRight Corporation
495 Pioneer Parkway
Clare, Michigan 48617
www.stageright.com



SET UP IN MINUTES



STURDY, WITH NO TOOLS REQUIRED



UNSURPASSED CUSTOMER SERVICE

StageRight Corporation
495 Pioneer Parkway
Clare, MI 48617
Toll-free: 800-438-4499
Phone: 989-386-7393
Fax: 989-386-3500
Email: info@stageright.com
Web: www.stageright.com