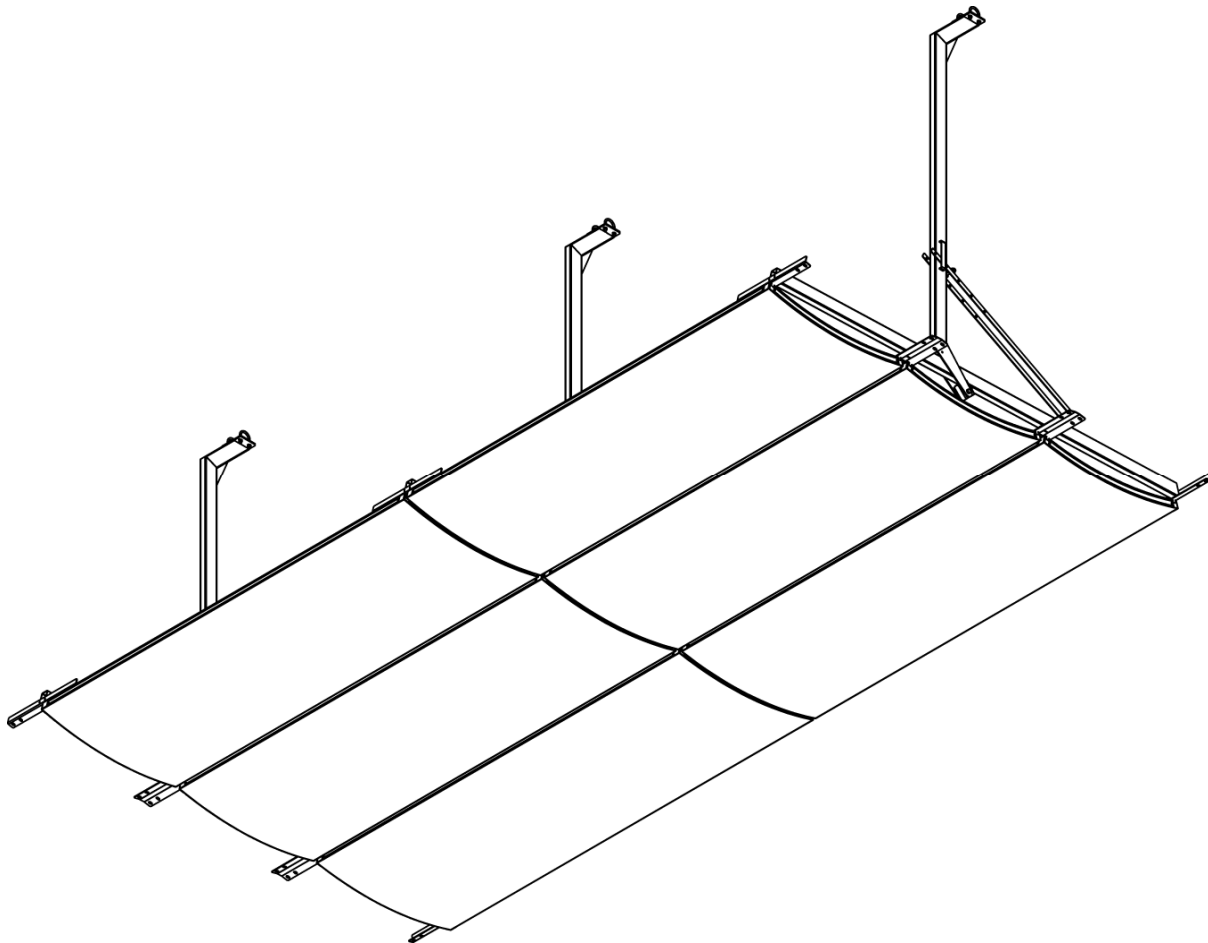




STAGERIGHT

PRODUCT INFORMATION PACKET

PRODUCT NAME: OPUS II CONCERT SHELL CEILING



KEEP INFORMATION PACKET FOR FUTURE REFERENCE

Table of Contents

▪ Introduction.....	1
▪ General Safety Rules.....	2
▪ Symbols.....	3
▪ Concert Shell Ceiling	
○ Technical Specifications.....	4
○ User Instructions.....	5
○ Lighting.....	6
▪ Maintenance.....	8
▪ Customer Service Information.....	8

Introduction

The StageRight Opus II Concert Shell Ceiling has been designed and manufactured with safety, performance and dependability as top priorities, making it easy to operate and maintain.

The care you give your Concert Shell Ceiling will greatly determine your satisfaction with its performance and service life. Careful study of this manual is encouraged to obtain a thorough understanding of your new Concert Shell Ceiling and its functions and maintenance.

If your manual becomes lost or destroyed, StageRight will gladly provide you with a new copy. Should you require additional information or assistance, please feel free to contact us at 1-800-438-4499.

BECAUSE STAGERIGHT CORPORATION MAINTAINS AN ONGOING PROGRAM OF PRODUCT DEVELOPMENT AND IMPROVEMENT, WE RESERVE THE RIGHT TO MAKE IMPROVEMENTS IN DESIGN OR CHANGES IN SPECIFICATIONS WITHOUT INCURRING ANY OBLIGATIONS TO INSTALL THEM ON UNITS PREVIOUSLY SOLD.

General Safety Rules



WARNING!


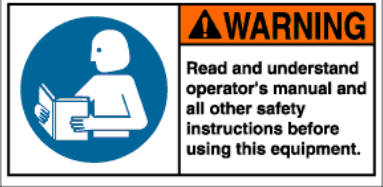

READ AND UNDERSTAND ALL INSTRUCTIONS.

Failure to follow all instructions listed below may result in serious personal injury.

SAVE THESE INSTRUCTIONS

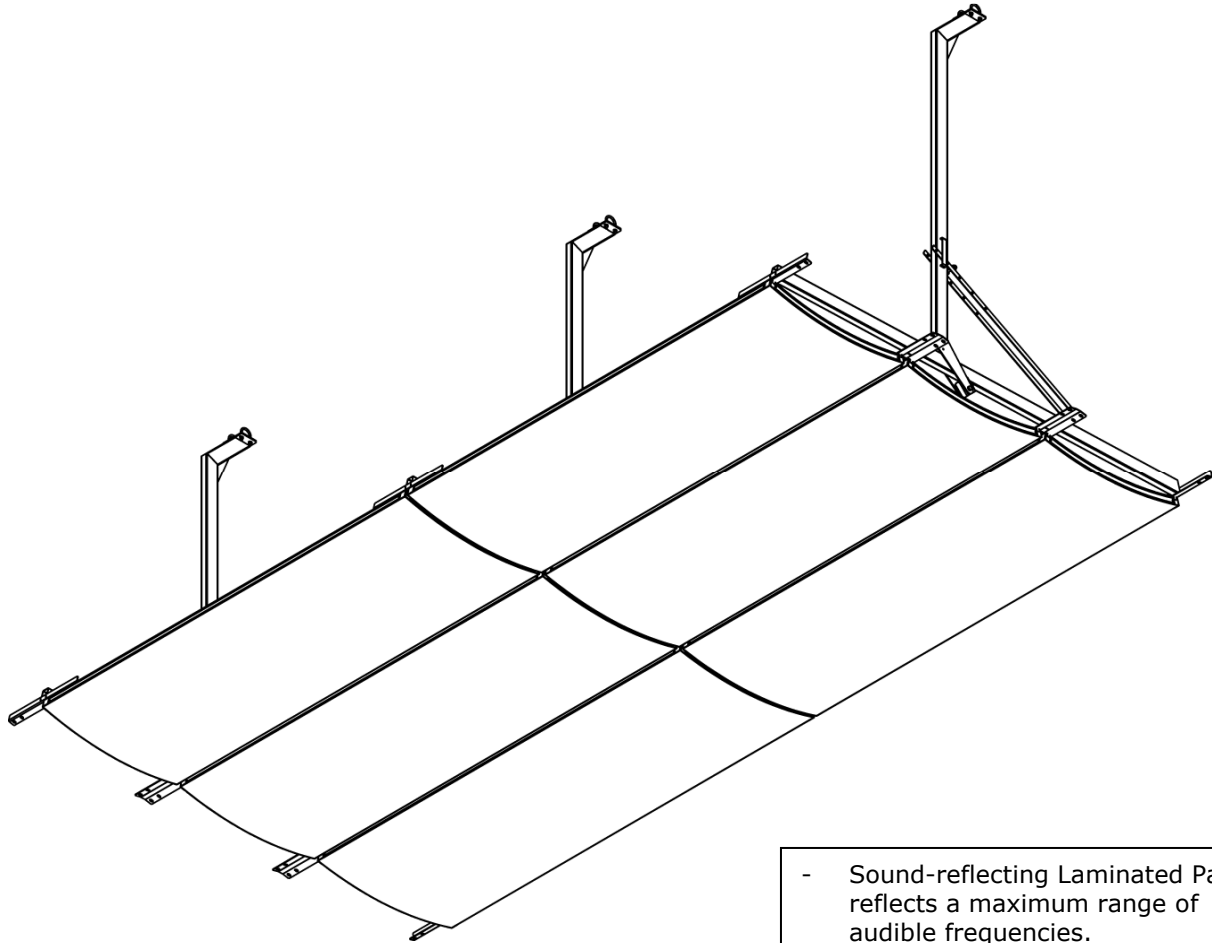
- **Stay clear of all pinch points.**
- **Make sure that all fasteners are properly engaged before use.** Quick pins and jam nuts need to be properly engaged before use.
- **Save these instructions.** Refer to them frequently and use them to instruct others who may use the Opus II Concert Shell Ceiling.
- **Read the Product Information Packet.** Failure to read the information packet is considered a misuse of this equipment.
- **Do Not Use Concert Shell Ceiling Outdoors.**
- **Become familiar with all caution and warning decals affixed to the field equipment before use.**
- **Never cover or deface caution/warning labels.**

Symbols

	<p>Safety Alert: Precautions that involve your safety</p>
 <p>WARNING Read and understand operator's manual and all other safety instructions before using this equipment.</p>	<p>Read The Operator's Manual: To reduce risk of injury, user must read and understand operator's manual before using this product</p>
 <p>CAUTION Pinch Point. Keep Hands And Fingers Clear</p>	<p>Pinch Point Warning Label: Failure to keep hands away from pinch points will result in personal injury</p>

StageRight Corporation Equipment Specifications

Opus II Concert Shell Ceiling

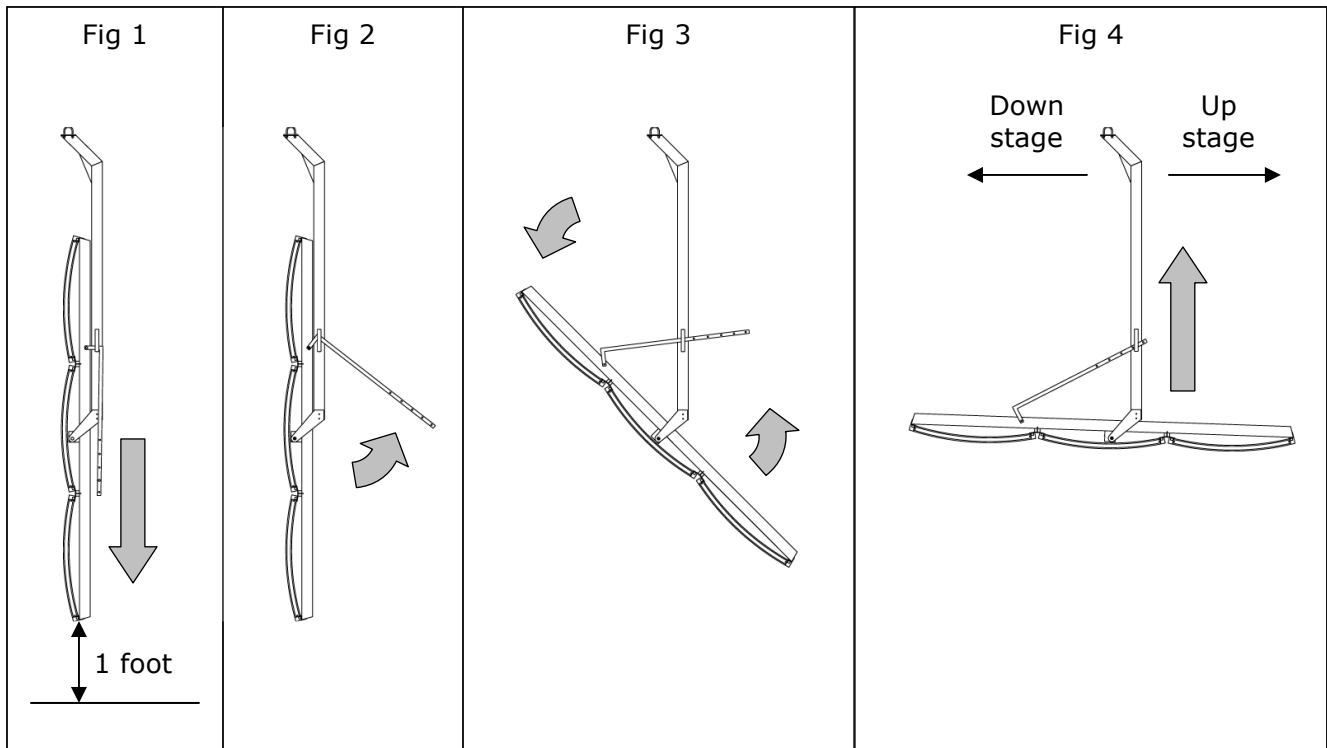


- Sound-reflecting Laminated Panel reflects a maximum range of audible frequencies.
- Suspended from a single pipe batten.

Construction, Finish, and Hardware

- Frame constructed of ASTM specified steel
- Anodized aluminum
- Class B fire-rated high-pressure laminate

Ceiling Panel “Use” Position



Step 1

Lower the ceiling panel so that the bottom edge is approximately one foot off the floor. Follow the stage rigging manufacturers guidelines for safe equipment usage. See figure #1.

Step 2

Rotate all the angle adjustment arms to unlock ceiling. See figure #2.

Step 3

Using two or more people, pull gently up stage on the lower edge of the ceiling, allowing the panel to rotate to the use position. See figure #3. To adjust ceiling panel angle, see figure #5

Step 4

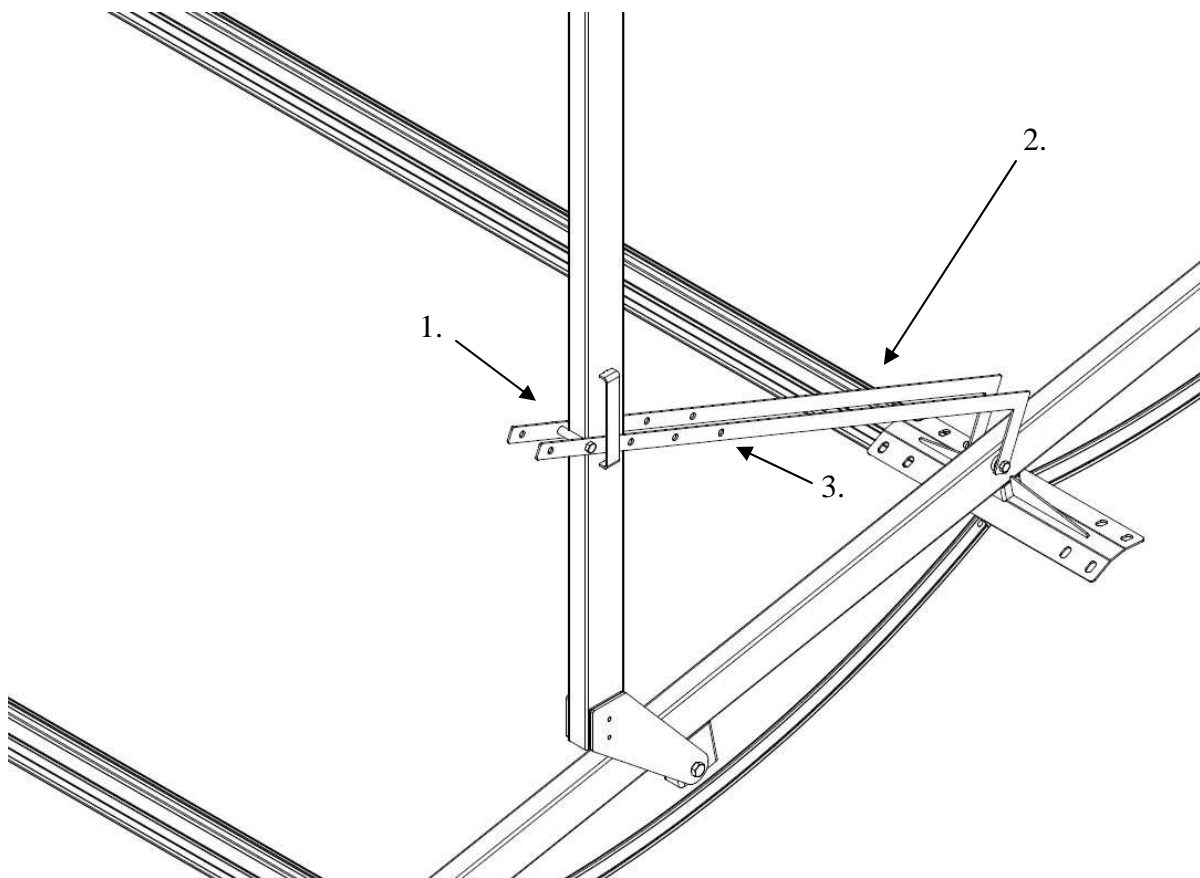
Raise the panel to its use position. See figure #4.

Ceiling Angle

If desired, the ceiling panel angle can be changed by relocating the stop spacer in one of the other provided holes in the angle adjustment arm.

Adjusting Ceiling Panel Angle

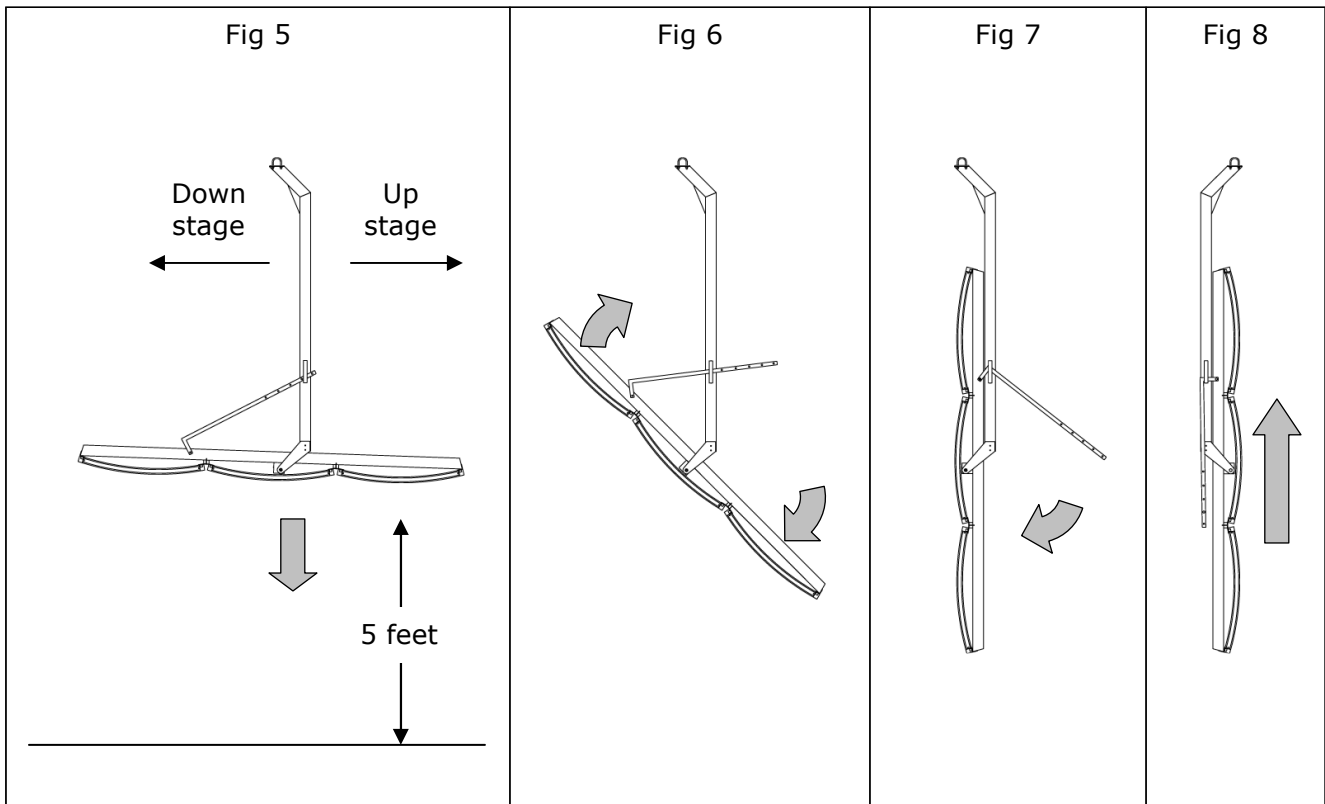
Fig 5



1. Remove pin from adjustment arm.
2. Lift ceiling to desired angle.
3. Replace pin in proper pin hole.

NOTE: Always use two or more people to prevent injuries.

Ceiling Panel “Storage” Position



Step 1

Lower the ceiling panel so that the bottom surface of the panel is approximately five feet off the floor. Follow the stage rigging manufacturers guidelines for safe equipment usage. See figure #5.

Step 2

Using two people, apply a downward pressure on the up stage edge of the ceiling. The panel will rotate to the vertical storage position. See figure #6.

Step 3

Rotate the angle adjustment arm downward to lock the ceiling panel in the storage position. See figure #7.

Step 4

Raise the vertical ceiling panel to its storage height. See figure #8.

Maintenance

1. Touch up paint color*: _____
2. Check all bolts for a snug fit annually.
3. Angle adjustment arm is supplied with friction washers. It should be adjusted so that it will stay at any position.

**Only if panels are painted.*

Maintenance



WARNING!

Read and Understand All Maintenance Procedures

Failure to follow all procedures listed below may cause serious injury and a decrease in the equipments functional existence.

- **Frequently check to see that all fasteners are properly engaged.**
- **Touch up paint can be used to cover any scratches or blemishes sustained through use.**
- **Replace any damaged equipment with genuine StageRight parts.** Failure to do so may result in unsafe equipment and/or personal injury.
- **Frequently check to see that the hydraulic jack is functioning properly.**

Customer Service

For parts or service contact StageRight Corporation. When ordering parts be sure to provide all relevant information available including the name and part number of the equipment purchased. This information is located on the technical specification page of this product information package. Customer Service hours are Monday thru Friday from 8:00 a.m. to 5:00 p.m. Eastern Standard Time. Customers can phone toll-free at (800) 438-4499 or mail:

StageRight Corporation
495 Pioneer Parkway
Clare, Michigan 48617
www.stageright.com



SET UP IN MINUTES



STURDY, WITH NO TOOLS REQUIRED



UNSURPASSED CUSTOMER SERVICE

StageRight Corporation
495 Pioneer Parkway
Clare, MI 48617
Toll-free: 800-438-4499
Phone: 989-386-7393
Email: info@stageright.com
Web: www.stageright.com