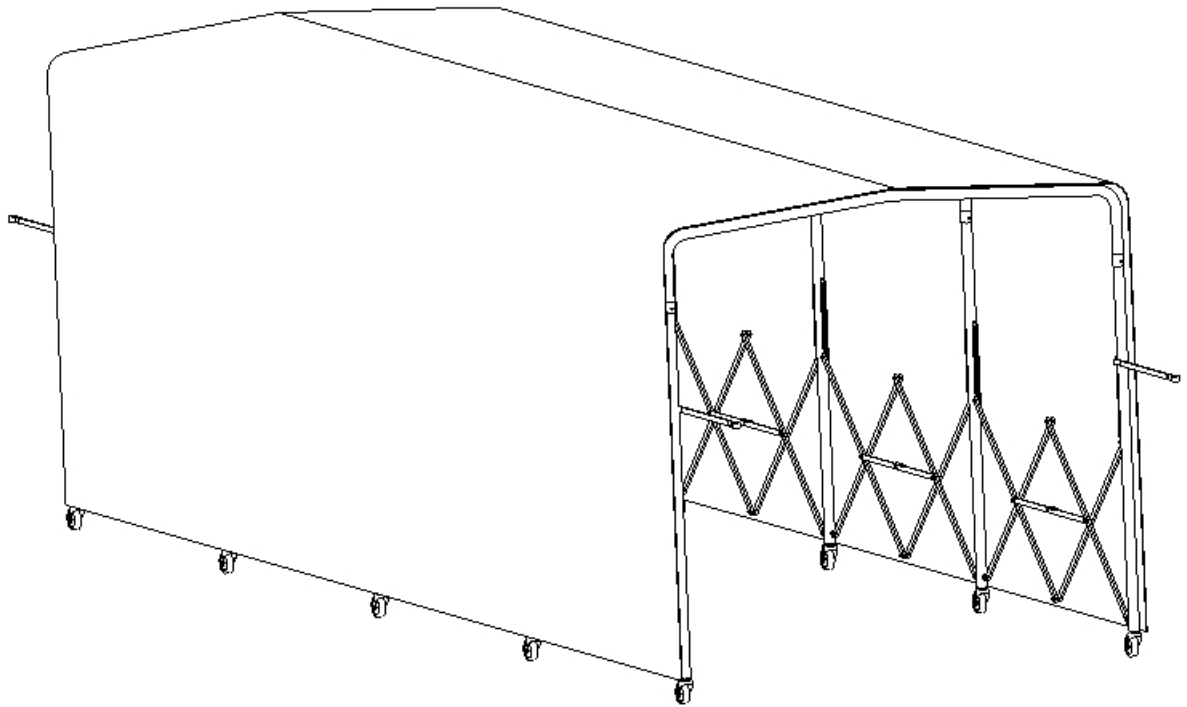




STAGE RIGHT

PRODUCT INFORMATION PACKET

PRODUCT NAME: Player Tunnel



KEEP INFORMATION PACKET FOR FUTURE REFERENCE

Table of Contents

- Introduction.....1
- General Safety Rules.....2
- Symbols.....3
- Technical Specifications.....4
- Instructions.....5
- Maintenance.....7
- Customer Service Information.....7

Introduction

The StageRight Player Tunnel has been designed and manufactured with safety, performance and dependability as top priorities, making it easy to operate and maintain.

The care you give your Player Tunnel will greatly determine your satisfaction with its performance and service life. Careful study of this manual is encouraged to obtain a thorough understanding of your new Player Tunnel and its functions and maintenance.

If your manual becomes lost or destroyed, StageRight will gladly provide you with a new copy. Should you require additional information or assistance, please feel free to contact us at 1-800-438-4499.

BECAUSE STAGERIGHT CORPORATION MAINTAINS AN ONGOING
PROGRAM OF PRODUCT DEVELOPMENT AND IMPROVEMENT, WE
RESERVE THE RIGHT TO MAKE IMPROVEMENTS IN DESIGN OR CHANGES
IN SPECIFICATIONS WITHOUT INCURRING ANY OBLIGATIONS TO INSTALL
THEM ON UNITS PREVIOUSLY SOLD.

General Safety Rules



WARNING!


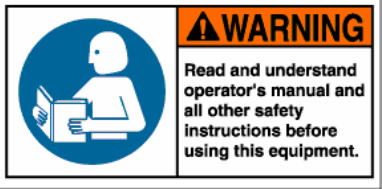

READ AND UNDERSTAND ALL INSTRUCTIONS.

Failure to follow all instructions listed below may result in serious personal injury.

SAVE THESE INSTRUCTIONS

- **Stay clear of all pinch points.**
- **Make sure that all fasteners are properly engaged before use.** Faspins, button stops, and jam nuts need to be properly engaged before use.
- **Save these instructions.** Refer to them frequently and use them to instruct others who may use the Player Tunnel.
- **Read the Product Information Packet.** Failure to read the information packet is considered a misuse of this equipment.
- **Become familiar with all caution and warning decals affixed to the player tunnel before use.**
- **Never cover or deface caution/warning labels.**

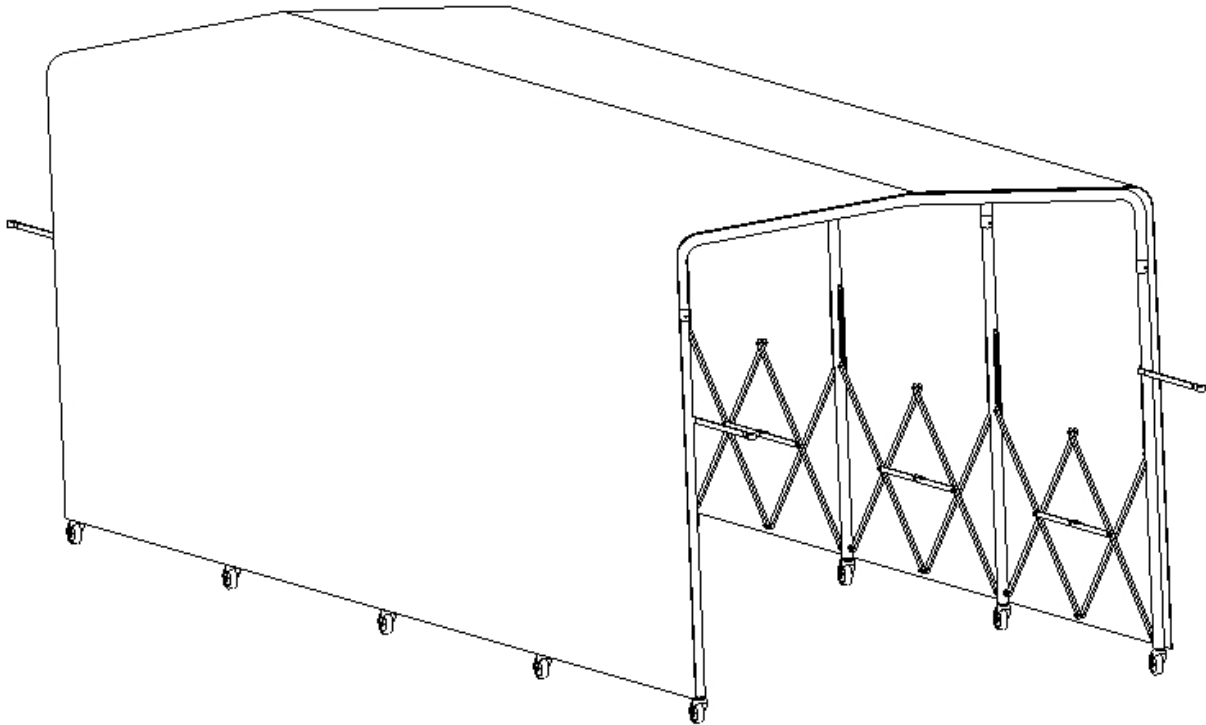
Symbols

	<p>Safety Alert: Precautions that involve your safety</p>
	<p>Read The Operator's Manual: To reduce risk of injury, user must read and understand operator's manual before using this product</p>
	<p>Pinch Point Warning Label: Failure to keep hands away from pinch points will result in personal injury</p>

StageRight Corporation Technical Specifications

Player Tunnel

PART #	DESCRIPTION
320712	8' x 12' Player Tunnel
320718	8' x 18' Player Tunnel
320724	8' x 24' Player Tunnel



Construction, Finish, and Hardware

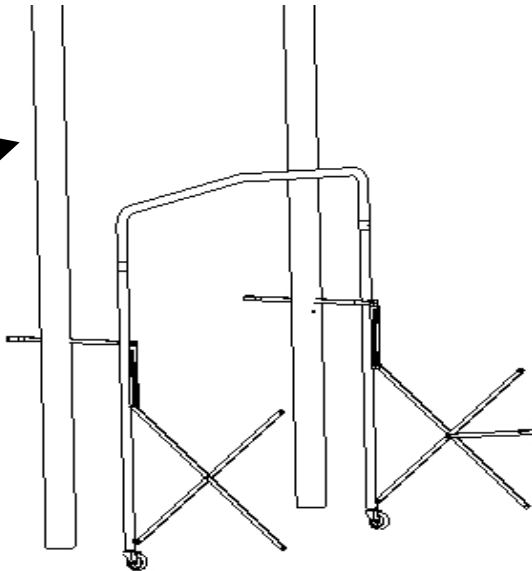
- Constructed of ASTM specified steel
- DuPont Nylon pack cloth.
- Baked-on powder coat finish.
- Zinc-plated hardware

Instructions

1

Stable Object

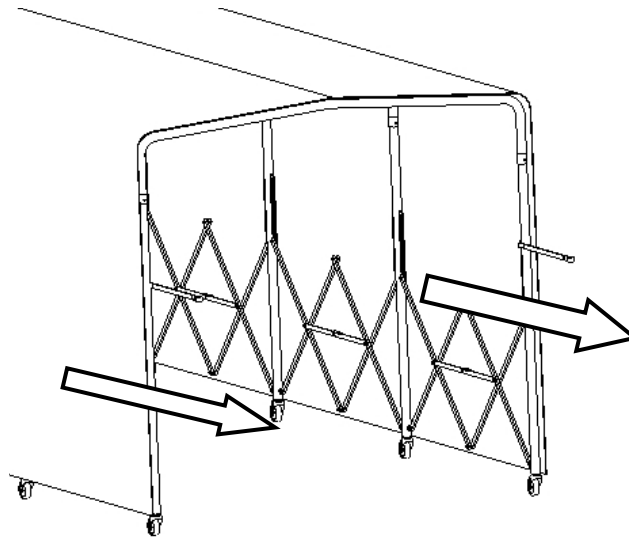
Velcro Strap



Note: Setup will require at least two people.

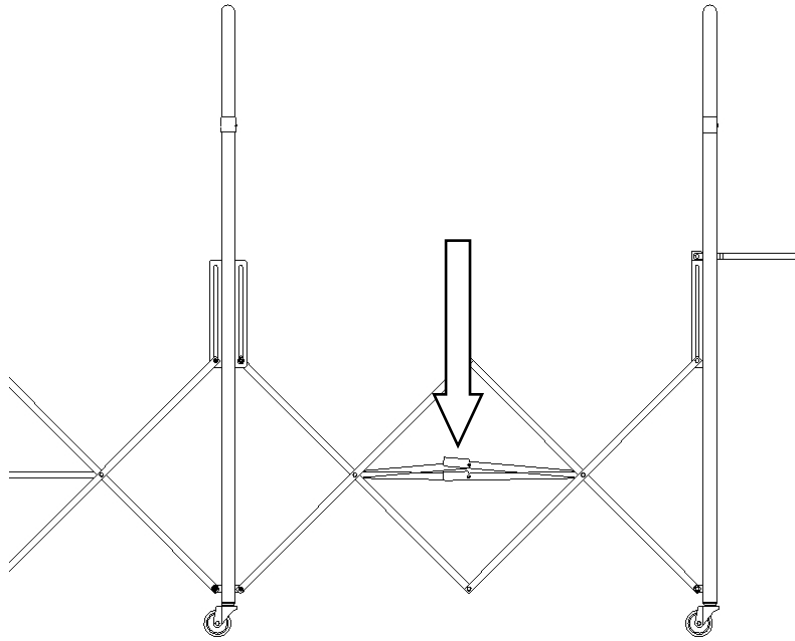
To setup the Player Tunnel, affix Velcro straps on one end to a stable object or hold with one person per end.

2



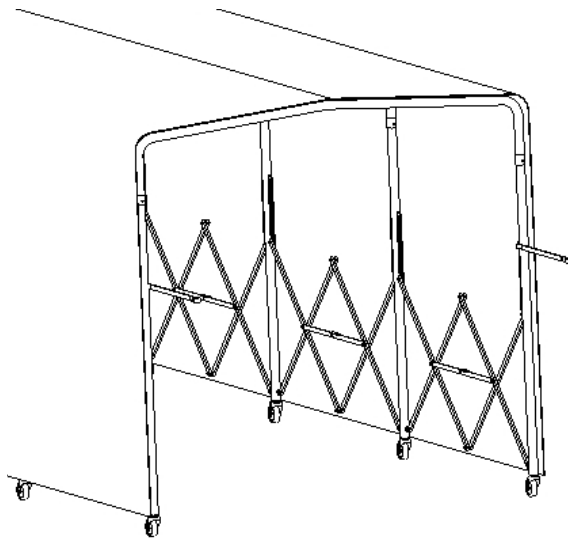
Pull the collapsed Player Tunnel into extended position.

3



Push lock handle to over-center position to initiate lock between all vertical posts. Place outer covering onto frame and attach with Velcro straps. Make sure all straps are secured properly.

4



To secure the cover, attach the Velcro on the material to the structure of the player tunnel.

Maintenance



WARNING!

Read and Understand All Maintenance Procedures

Failure to follow all procedures listed below may cause serious injury and a decrease in the equipments functional existence.

- **Frequently check to see that all fasteners are properly engaged.**
- **Touch up paint can be used to cover any scratches or blemishes sustained through use.**
- **Replace any damaged equipment with genuine StageRight parts.** Failure to do so may result in unsafe equipment and/or personal injury.

Customer Service

For parts or service contact StageRight Corporation. When ordering parts be sure to provide all relevant information available including the name and part number of the equipment purchased. This information is located on the technical specification page of this product information package. Customer Service hours are Monday thru Friday from 8:00 a.m. to 5:00 p.m. Eastern Standard Time. Customers can phone toll-free at (800) 438-4499 or mail:

StageRight Corporation
495 Pioneer Parkway
Clare, Michigan 48617
www.stageright.com



SET UP IN MINUTES



STURDY, WITH NO TOOLS REQUIRED



UNSURPASSED CUSTOMER SERVICE

StageRight Corporation
495 Pioneer Parkway
Clare, MI 48617
Toll-free: 800-438-4499
Phone: 989-386-7393
Fax: 989-386-3500
Email: info@stageright.com
Web: www.stageright.com