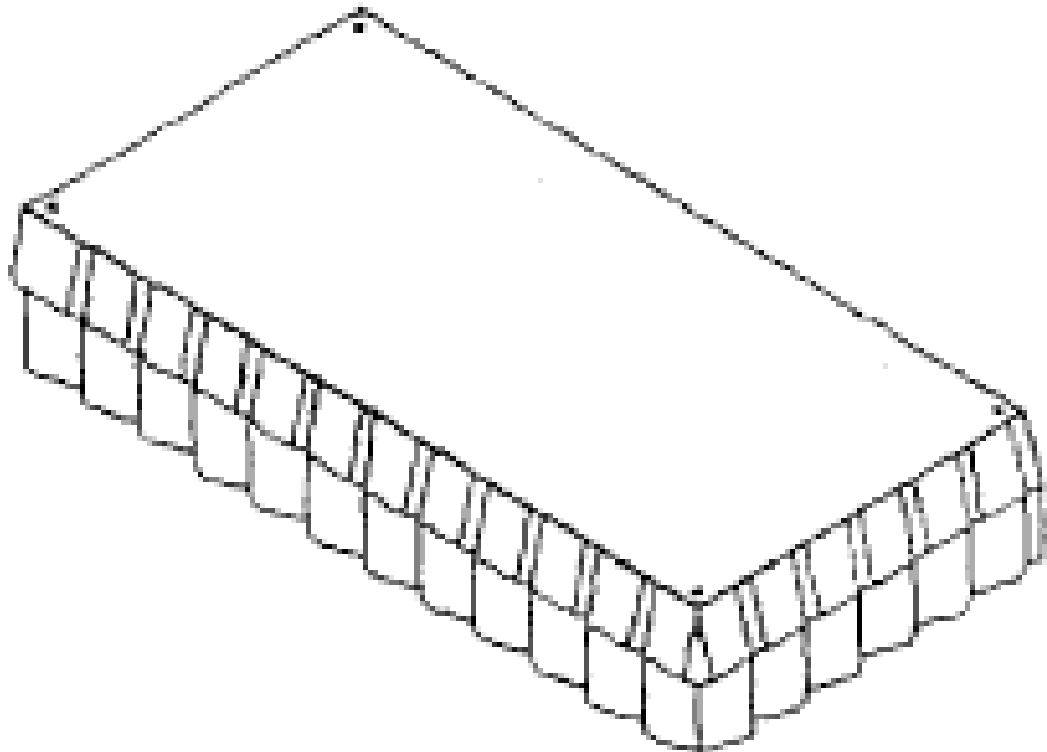




STAGERIGHT

PRODUCT INFORMATION PACKET

PRODUCT NAME: Skirting



KEEP INFORMATION PACKET FOR FUTURE REFERENCE

Table of Contents

- Introduction..... 1
- General Safety Rules..... 2
- Symbols..... 3
- Technical Specifications..... 4
- Instructions..... 5
- Maintenance..... 6
- Customer Service Information..... 6

Introduction

The StageRight Skirting has been designed and manufactured with safety, performance and dependability as top priorities, making it easy to operate and maintain.

The care you give your Skirting will greatly determine your satisfaction with its performance and service life. Careful study of this manual is encouraged to obtain a thorough understanding of your new Skirting and its functions and maintenance.

If your manual becomes lost or destroyed, StageRight will gladly provide you with a new copy. Should you require additional information or assistance, please feel free to contact us at 1-800-438-4499.

BECAUSE STAGERIGHT CORPORATION MAINTAINS AN ONGOING PROGRAM OF PRODUCT DEVELOPMENT AND IMPROVEMENT, WE RESERVE THE RIGHT TO MAKE IMPROVEMENTS IN DESIGN OR CHANGES IN SPECIFICATIONS WITHOUT INCURRING ANY OBLIGATIONS TO INSTALL THEM ON UNITS PREVIOUSLY SOLD.

General Safety Rules



WARNING!

READ AND UNDERSTAND ALL INSTRUCTIONS.

Failure to follow all instructions listed below may result in serious personal injury.

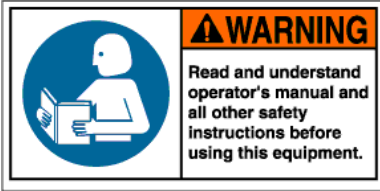
SAVE THESE INSTRUCTIONS

- **Save these instructions.** Refer to them frequently and use them to instruct others who may use the Skirting
- **Read the Product Information Packet.** Failure to read the information packet is considered a misuse of this equipment.

Symbols



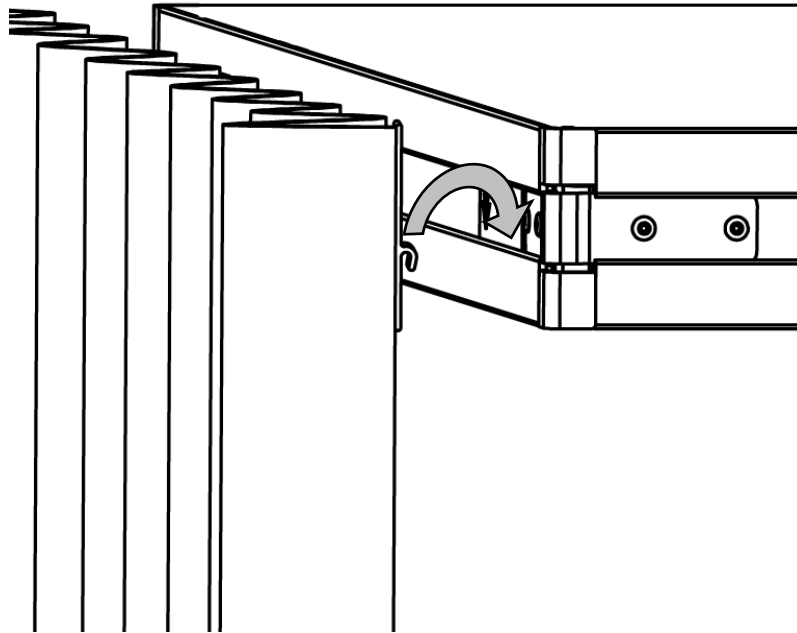
Safety Alert: Precautions that involve your safety



Read The Operator's Manual: To reduce risk of injury, user must read and understand operator's manual before using this product

Instructions

1



Snap the clips which are sewn onto the back of the skirting into the edging of the decks. Slide the clip into the slot, push down until the clip is fully inserted into the slot. Variable height skirting can be adjusted by folding up the skirting behind itself and hooking the Velcro strips together.

Cleaning Instructions

Polyester Velour, Carbonite II

- Machine wash 160°F, *Remove immediately*. Use synthetic detergents. Do not use soap, bleach, or softeners which might adversely affect inherent flame resistance of fabric
- Tumble Dry 140°F, *Remove immediately*.

100% Polyester – Excessive heat, loading and leaving too long in extractor or dryer will detract from permanent press characteristics of all polyester fabrics.

Ironing – If above instructions are followed *No Ironing Required*. If necessary, light touch up with hand iron at 250°F setting. Do not mangle.

Black Janus, and 100% Polyester

- Machine wash warm. Dark colors separately.
- Tumble dry medium. Remove *promptly*
- Steam iron low (*if required*).

Maintenance



WARNING!

Read and Understand All Maintenance Procedures

Failure to follow all procedures listed below may cause serious injury and a decrease in the equipments functional existence.

- **Touch up paint can be used to cover any scratches or blemishes sustained through use.**
- **Replace any damaged equipment with genuine StageRight parts.** Failure to do so may result in unsafe equipment and/or personal injury.

Customer Service

For parts or service contact StageRight Corporation. When ordering parts be sure to provide all relevant information available including the name and part number of the equipment purchased. This information is located on the technical specification page of this product information package. Customer Service hours are Monday thru Friday from 8:00 a.m. to 5:00 p.m. Eastern Standard Time. Customers can phone toll-free at (800) 438-4499 or mail:

StageRight Corporation
495 Pioneer Parkway
Clare, Michigan 48617
www.stageright.com



SET UP IN MINUTES



STURDY, WITH NO TOOLS REQUIRED



UNSURPASSED CUSTOMER SERVICE

StageRight Corporation
495 Pioneer Parkway
Clare, MI 48617
Toll-free: 800-438-4499
Phone: 989-386-7393
Fax: 989-386-3500
Email: info@stageright.com
Web: www.stageright.com