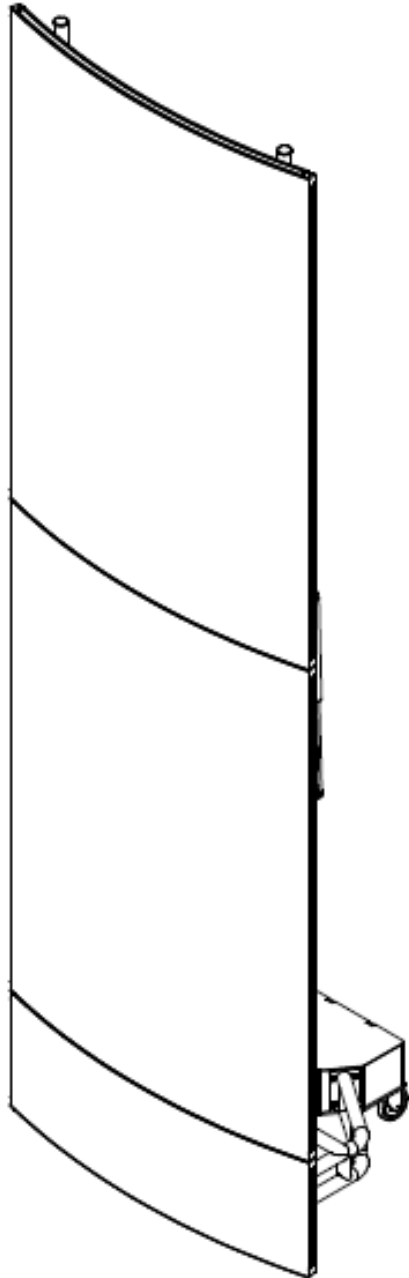




STAGERIGHT

PRODUCT INFORMATION PACKET

PRODUCT NAME: Sonata Music Shell™



KEEP INFORMATION PACKET FOR FUTURE REFERENCE

Table Of Contents

- Introduction.....1
- General Safety Rules.....2
- Symbols.....3
- Technical Specifications.....4
- Instructions.....5
- Maintenance.....6
- Customer Service Information.....6

Introduction

The StageRight Sonata Music Shell™ has been designed and manufactured with safety, performance and dependability as top priorities, making it easy to operate and maintain.

The care you give your Music Shell will greatly determine your satisfaction with its performance and service life. Careful study of this manual is encouraged to obtain a thorough understanding of your new Music Shell and its functions and maintenance.

If your manual becomes lost or destroyed, StageRight will gladly provide you with a new copy. Should you require additional information or assistance, please feel free to contact us at 1-800-438-4499.

BECAUSE STAGERIGHT CORPORATION MAINTAINS AN ONGOING PROGRAM OF PRODUCT DEVELOPMENT AND IMPROVEMENT, WE RESERVE THE RIGHT TO MAKE IMPROVEMENTS IN DESIGN OR CHANGES IN SPECIFICATIONS WITHOUT INCURRING ANY OBLIGATIONS TO INSTALL THEM ON UNITS PREVIOUSLY SOLD.

General Safety Rules



WARNING!


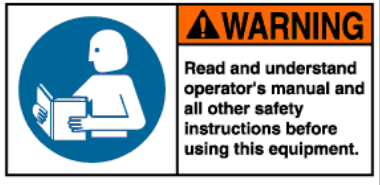
READ AND UNDERSTAND ALL INSTRUCTIONS.

Failure to follow all instructions listed below may result in serious personal injury.

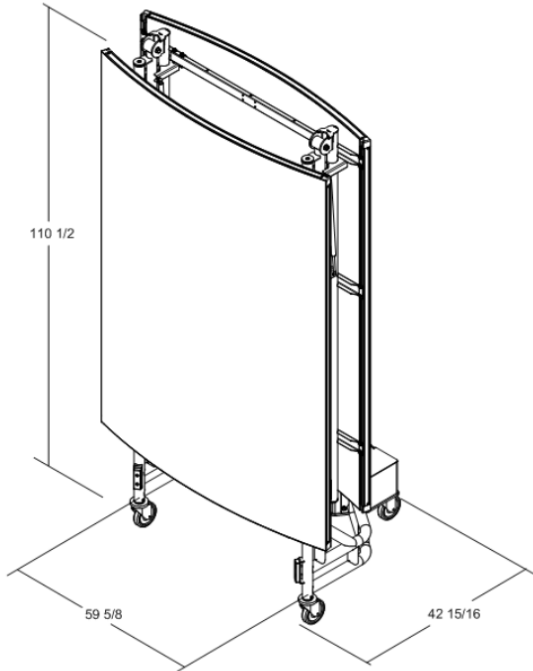
SAVE THESE INSTRUCTIONS

- **Stay clear of all pinch points.**
- **Make sure that all fasteners are properly engaged before use.**
- **Setup Music Shells on level surface.** Use the caster brakes when shell is in place.
- **Save this manual.** Refer to it frequently and use it to instruct others who may use the Sonata Music Shell.
- **Read the Product Information Packet.** Failure to read the information packet is considered a misuse of this equipment.
- **Become familiar with all caution and warning decals affixed to the staging equipment before use.**
- **Never cover or deface caution/warning labels.**
- **Never remove counterweight.** Counterweight is meant to keep tower stabilized. Without it, the tower could tip over.
- **Do not operate with damaged or missing shock.**

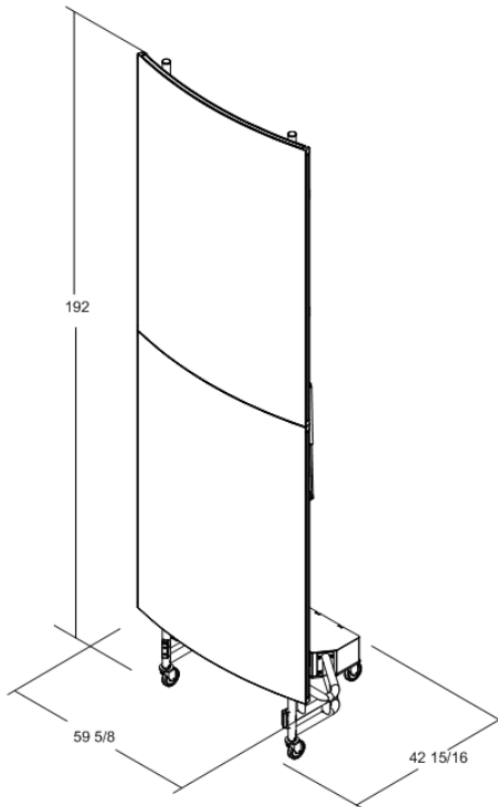
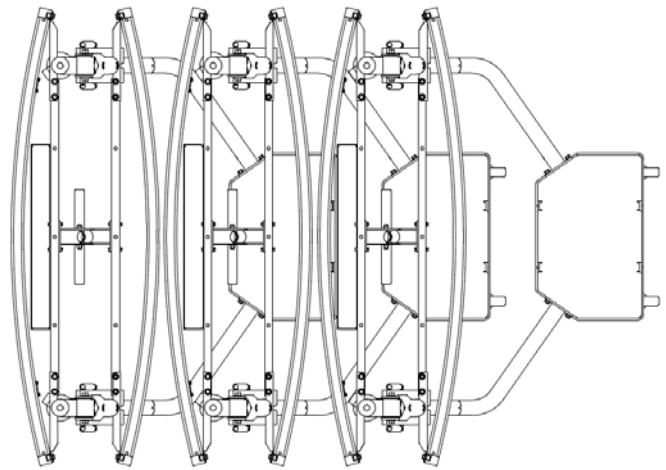
Symbols

	<p>Safety Alert: Precautions that involve your safety</p>
	<p>Read The Operator's Manual: To reduce risk of injury, user must read and understand operator's manual before using this product</p>

StageRight Corporation Technical Specifications



- Moveable tower reflects a maximum range of audible frequencies
- Self-standing with counter-weighted nesting base

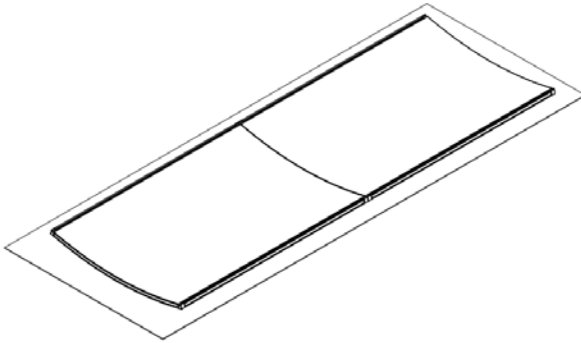


Construction, Finish, and Hardware

- Constructed of ASTM specified steel or aluminum
- Baked-on powder coat finish.
- Zinc-plated hardware

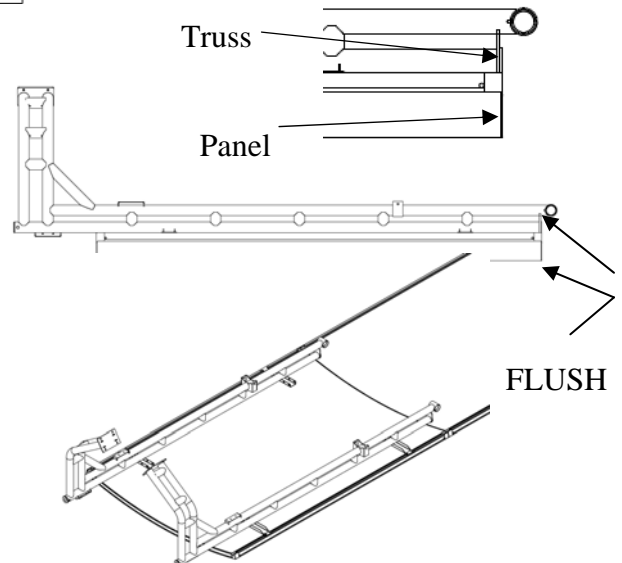
Assembly Instructions

1



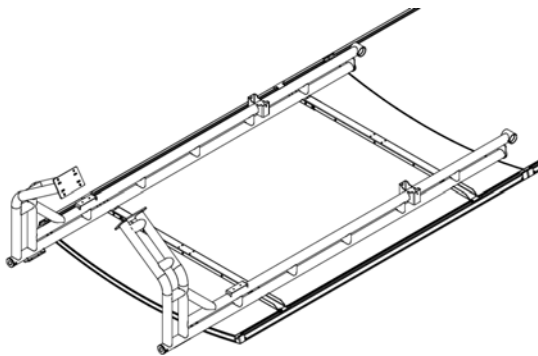
Begin work on a clean, flat surface. Use cardboard to prevent scratching the surface of the panels. Lay the two large panels on the floor, end to end

2



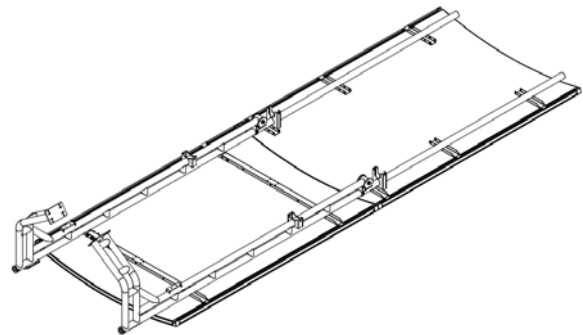
Lay lower truss sections on panel. Attach truss with 8- 3/8X 3/4" bolts, 3/8 washers and 2" strut nut. **DO NOT TIGHTEN.** Align the top of the panel with the top of the truss.

3



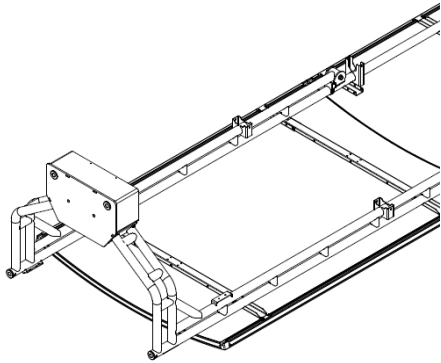
Insert cross braces between lower truss sections. Fasten with 8- 3/8x 2-3/4" bolts and 3/8" nuts.

4



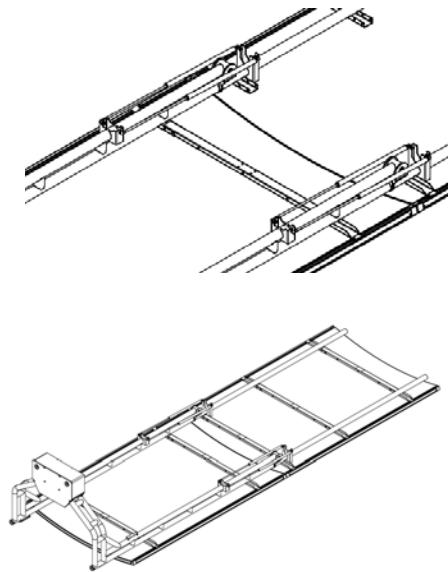
Attach upper truss sections to lower truss sections using 4- 1/2 x 3/4" bolts, 2- pivot pins, 4-1" ID X 1-1/2" OD shim washers. Repeat steps 2 and 3 for the upper truss sections.

5



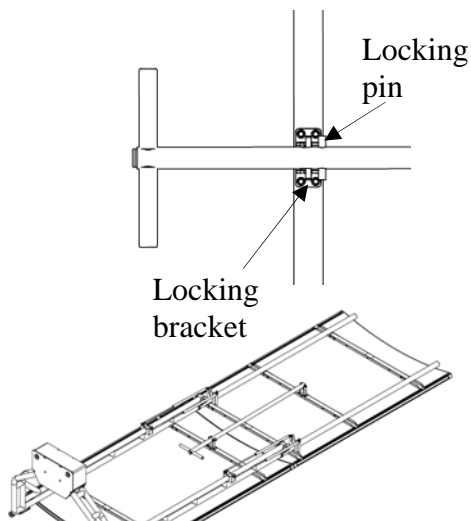
Attach counterweight box to lower truss sections using 8- 3/8 x 1" bolts and 3/8" nuts.

6



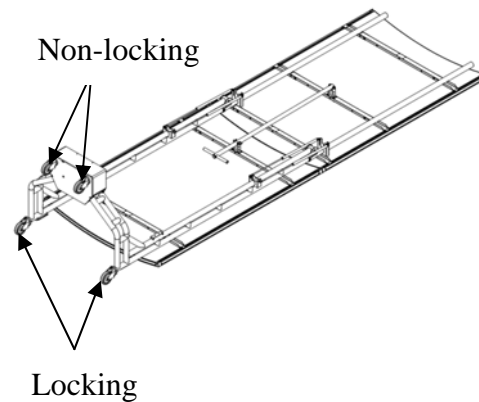
Install 4- gas springs to connect upper and lower truss. Fasten with 8- 5/16" lock nuts.

7



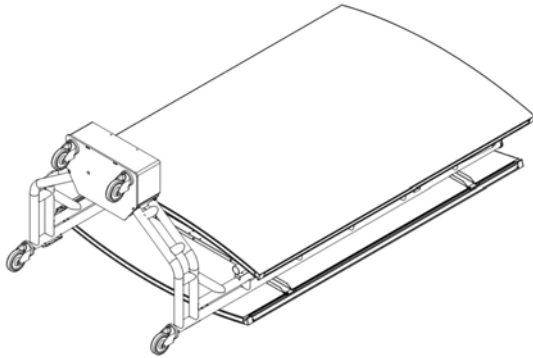
Install handle pivot and lock bracket using 8-1/4 x 1.75" bolts and 1/4" nuts. Install handle using 3/8 x 2.75" bolt and 3/8" nut. **Before tightening fasteners, verify that the locking pin on the handle is tight with the locking bracket.**

8



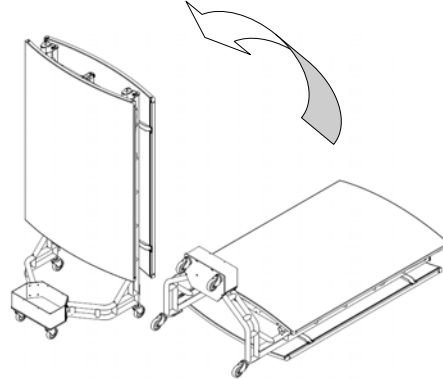
Install the casters and on the unit. Two locking casters are placed closest to the panels and two non-locking casters are placed on the counterweight box.

9



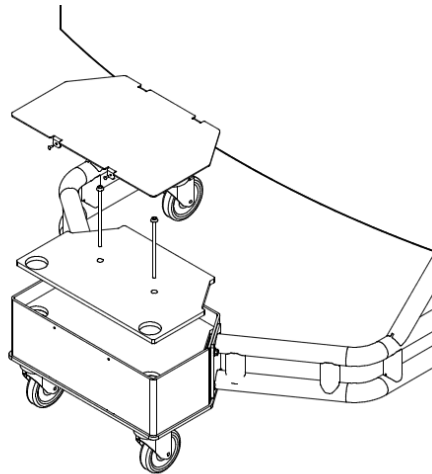
Close the shell. Use two people to close the upper panel and one person to hold the lower panel steady.

10



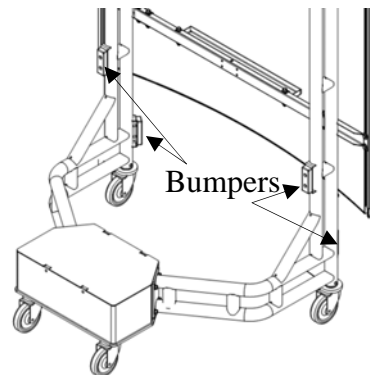
Lift the shell up onto the casters. Lock the front casters to prevent sliding. It may also be necessary to block the wheels. Use two people to walk the unit up and one person to steady the base. **Do not operate without counterweight installed.**

11



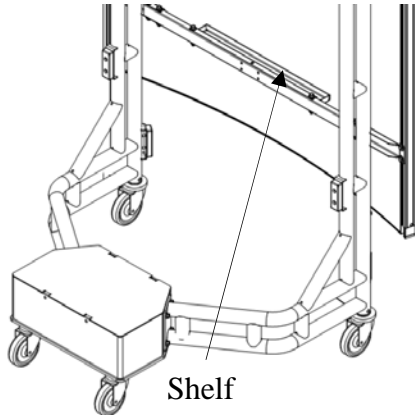
Insert **12** counterweight plates into the counterweight box and fasten using 2 threaded rods and 4 tamper-proof nuts. Fasten counterweight lid using 4- 3/16" rivets.

12



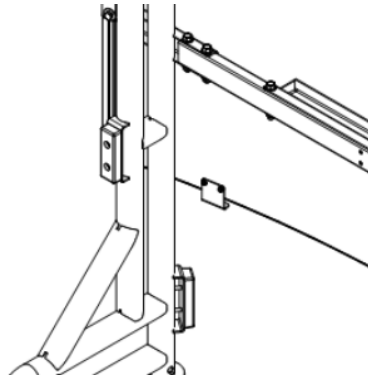
Open panel for the next three steps. Install 4 bumpers using 8- 1/4" rivets. Install tube caps into the ends of the upper truss section.

13



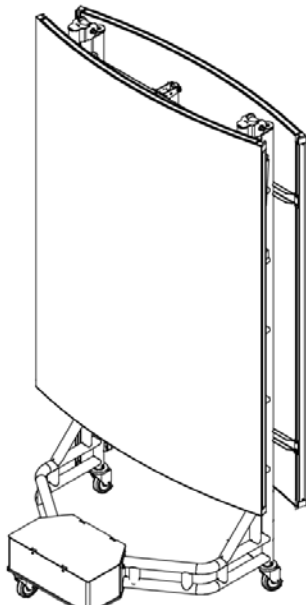
Install shelf using 2- 3/8 x 3.25" bolts and 3/8" nuts.

14



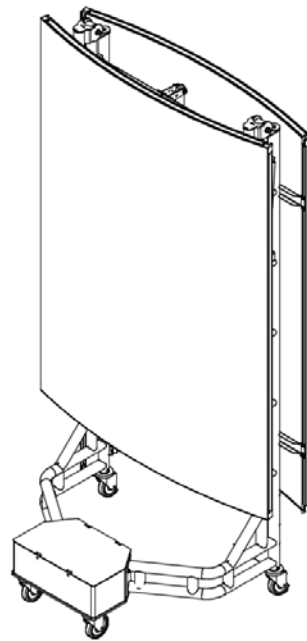
Install clips for hanging lower panel using 4- #10 self-drilling screws.

15



Make certain all bolts and fasteners are tightened on unit.

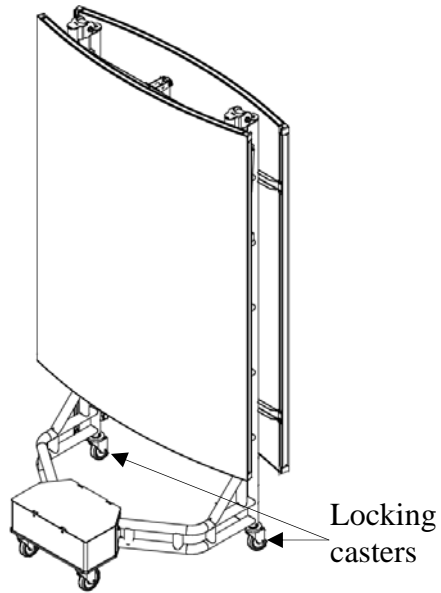
16



Operate unit to verify all parts are functioning correctly.

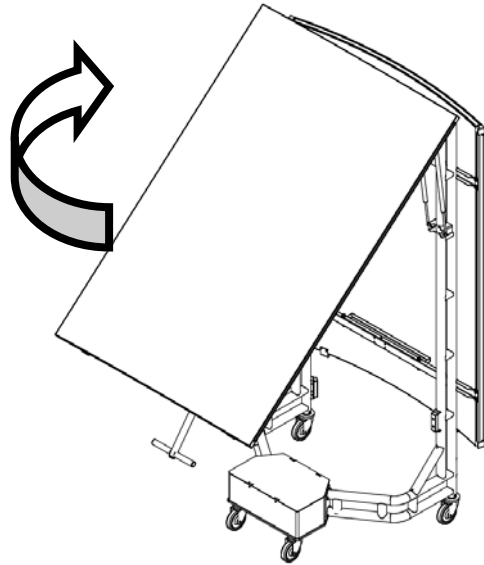
Operation Instructions

1



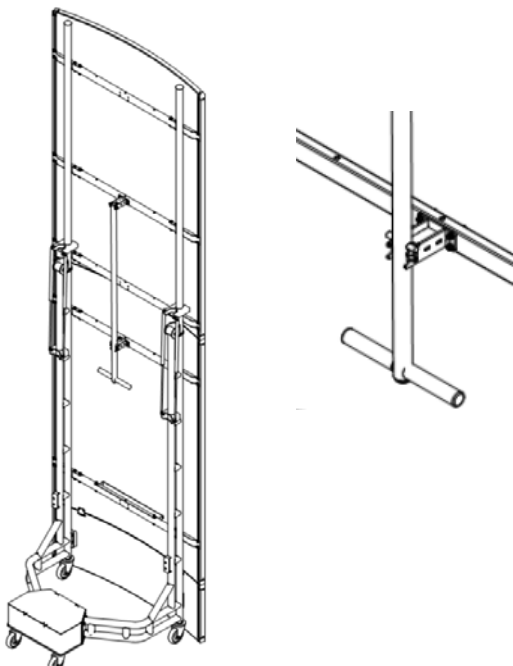
Move unit into place and lock the front casters.

2



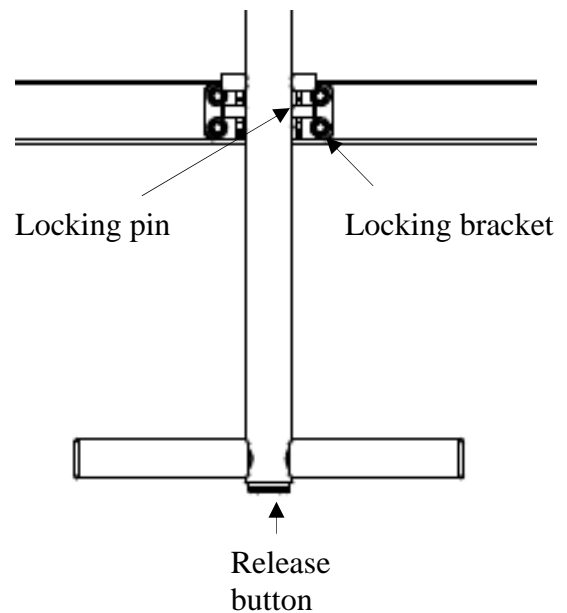
Raise the upper panel into position. The gas springs will do most of the work

3



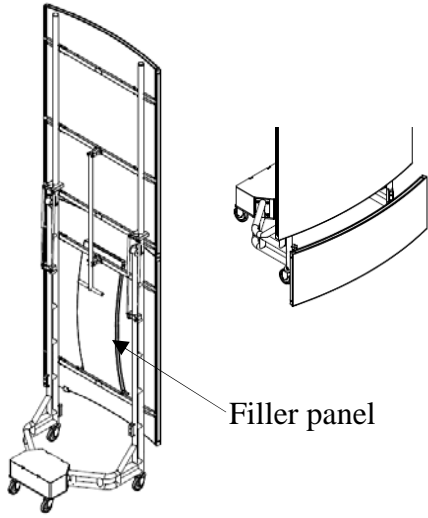
When unit is in operation, ensure that the handle is in the locked position

4



To release handle lock, press the release button allowing the locking pin to swing free of the locking bracket.

5



Filler panel

To install the filler panel, remove it from the storage location and place it on the panel clips.

Maintenance



WARNING!

Read and Understand All Maintenance Procedures

Failure to follow all procedures listed below may cause serious injury and a decrease in the equipments functional existence.

- **Frequently check to see that all fasteners are securely engaged.**
- **Music equipment should be cleaned periodically with household cleaners to maintain original surface finish.**
- **A silicone based lubricant may be used on moving parts to maintain proper function.**
- **Replace any damaged equipment with genuine StageRight parts.** Failure to do so may result in unsafe equipment and/or personal injury.

Customer Service

For parts or service contact StageRight Corporation. When ordering parts be sure to provide all relevant information available including the name and part number of the equipment purchased. This information is located on the technical specification page of this product information package. Customer Service hours are Monday thru Friday from 8:00 a.m. to 5:00 p.m. Eastern Standard Time. Customers can phone toll-free at (800) 438-4499 or mail:

StageRight Corporation
495 Pioneer Parkway
Clare, Michigan 48617
www.stageright.com

