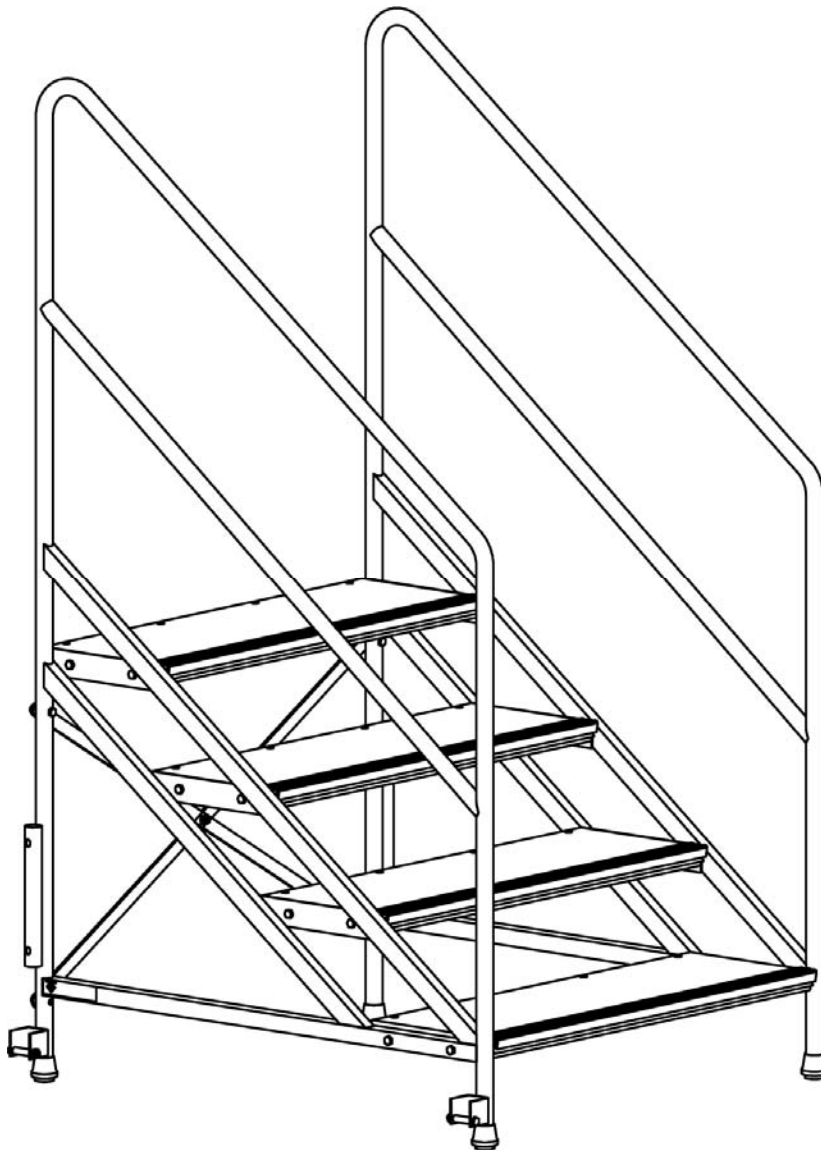




# STAGE RIGHT

## PRODUCT INFORMATION PACKET

PRODUCT NAME: Tilt & Tote Stairs



**KEEP INFORMATION PACKET FOR FUTURE REFERENCE**

# Table of Contents

---

- Introduction.....1
- General Safety Rules.....2
- Symbols.....3
- Technical Specifications.....4
- Instructions.....5
- Maintenance.....6
- Customer Service Information.....6

## Introduction

---

The StageRight Tilt & Tote Stair has been designed and manufactured with safety, performance and dependability as top priorities, making it easy to operate and maintain.

The care you give your Tilt & Tote Stair will greatly determine your satisfaction with its performance and service life. Careful study of this manual is encouraged to obtain a thorough understanding of your new Tilt & Tote Stair and its functions and maintenance.

If your manual becomes lost or destroyed, StageRight will gladly provide you with a new copy. Should you require additional information or assistance, please feel free to contact us at 1-800-438-4499.

BECAUSE STAGERIGHT CORPORATION MAINTAINS AN ONGOING  
PROGRAM OF PRODUCT DEVELOPMENT AND IMPROVEMENT, WE  
RESERVE THE RIGHT TO MAKE IMPROVEMENTS IN DESIGN OR CHANGES  
IN SPECIFICATIONS WITHOUT INCURRING ANY OBLIGATIONS TO INSTALL  
THEM ON UNITS PREVIOUSLY SOLD.

# General Safety Rules

---



## **WARNING!**

### **READ AND UNDERSTAND ALL INSTRUCTIONS.**

Failure to follow all instructions listed below may result in serious personal injury.


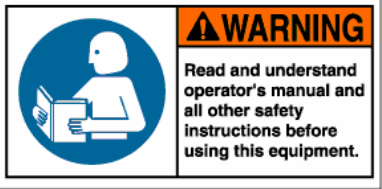
---

## **SAVE THESE INSTRUCTIONS**

- **Make sure that all fasteners are properly engaged before use.**
- **Save these instructions.** Refer to them frequently and use them to instruct others who may use the Tilt & Tote Stair.
- **Read the Product Information Packet.** Failure to read the information packet is considered a misuse of this equipment.
- **Become familiar with all caution and warning decals affixed to the stairs before use.**
- **Never cover or deface caution/warning labels.**

# Symbols

---

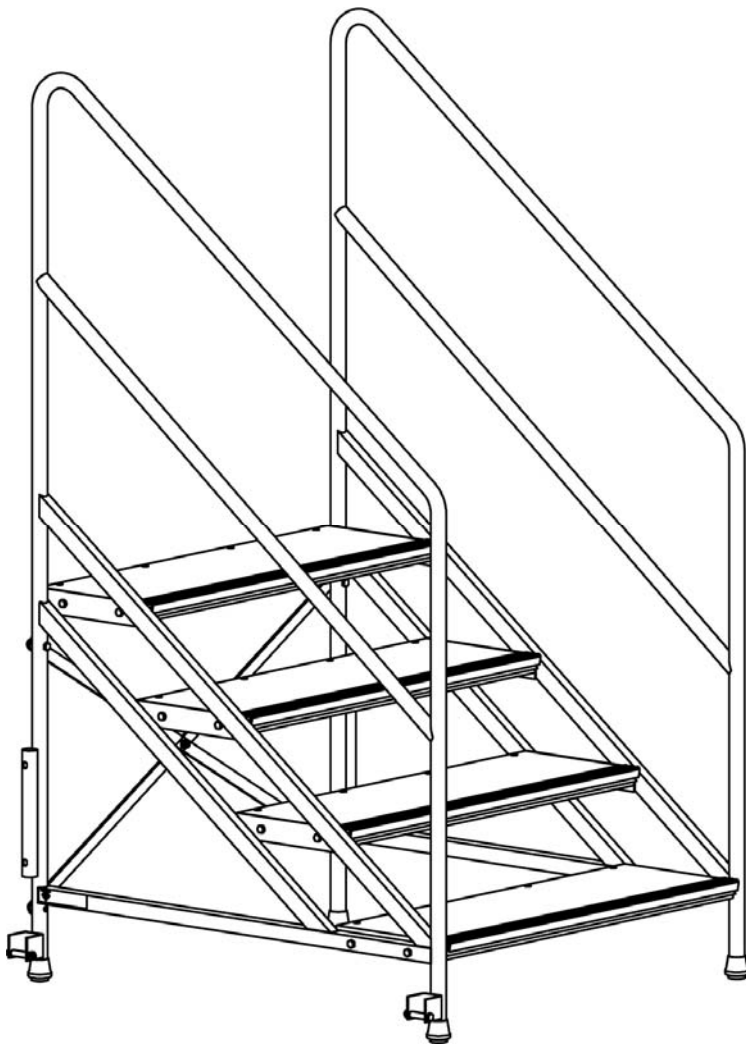
	<p><b>Safety Alert:</b> Precautions that involve your safety</p>
	<p><b>Read The Operator's Manual:</b> To reduce risk of injury, user must read and understand operator's manual before using this product</p>

# StageRight Corporation Technical Specifications

---

## Tilt & Tote Stairs

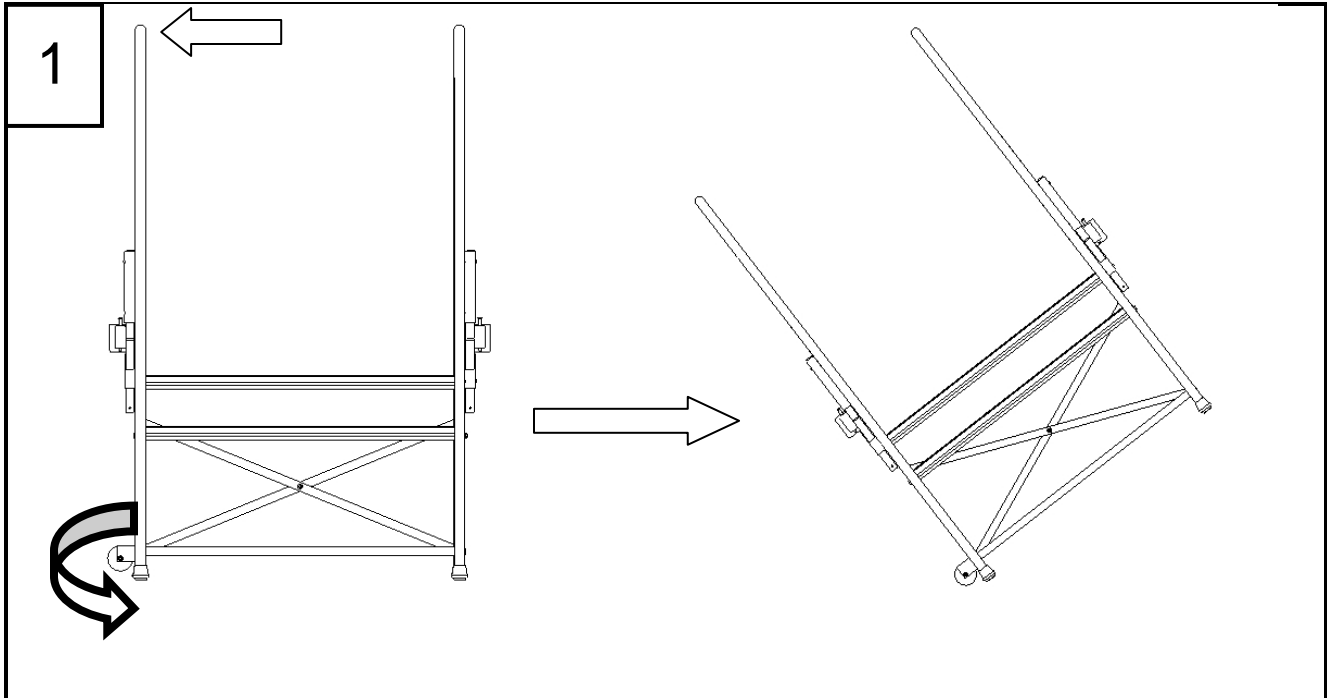
Description	Part #
1-Step	330081
2-Step	330082
3-Step	330083
4-Step	330084



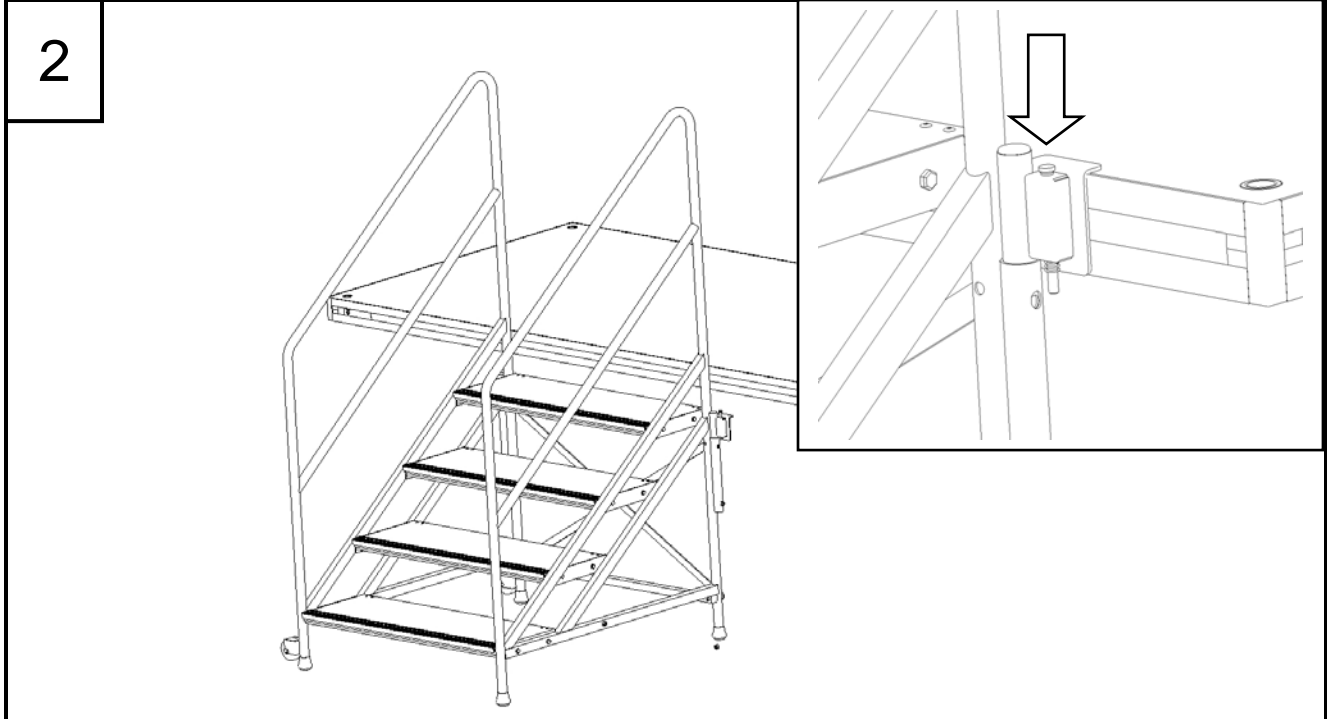
### **Construction, Finish, and Hardware**

- Constructed of ASTM specified steel
- Baked-on powder coat finish.
- Non-skid Polymeric resin coated stairs

# Instructions



Pull on side rail to rotate stair onto its wheels for transport. Only transport one section at a time.



When attaching the stairs to a deck, press Spring Lock mechanism, slide stair up to deck, release Spring Lock mechanism once mechanism is in deck slot.

## Maintenance

---



### **WARNING!**

#### **Read And Understand All Maintenance Procedures**

Failure to follow all procedures listed below may cause serious injury and a decrease in the equipments functional existence.

---

- **Frequently check to see that all fasteners are properly engaged.**
- **Touch up paint can be used to cover any scratches or blemishes sustained through use.**
- **Replace any damaged equipment with genuine StageRight parts.** Failure to do so may result in unsafe equipment and/or personal injury.

## Customer Service

---

For parts or service contact StageRight Corporation. When ordering parts be sure to provide all relevant information available including the name and part number of the equipment purchased. This information is located on the technical specification page of this product information package. Customer Service hours are Monday thru Friday from 8:00 a.m. to 5:00 p.m. Eastern Standard Time. Customers can phone toll-free at (800) 438-4499 or mail:

StageRight Corporation  
495 Pioneer Parkway  
Clare, Michigan 48617  
[www.stageright.com](http://www.stageright.com)



SET UP IN MINUTES



STURDY, WITH NO TOOLS REQUIRED



UNSURPASSED CUSTOMER SERVICE

StageRight Corporation  
495 Pioneer Parkway  
Clare, MI 48617  
Toll-free: 800-438-4499  
Phone: 989-386-7393  
Fax: 989-386-3500  
Email: [info@stageright.com](mailto:info@stageright.com)  
Web: [www.stageright.com](http://www.stageright.com)