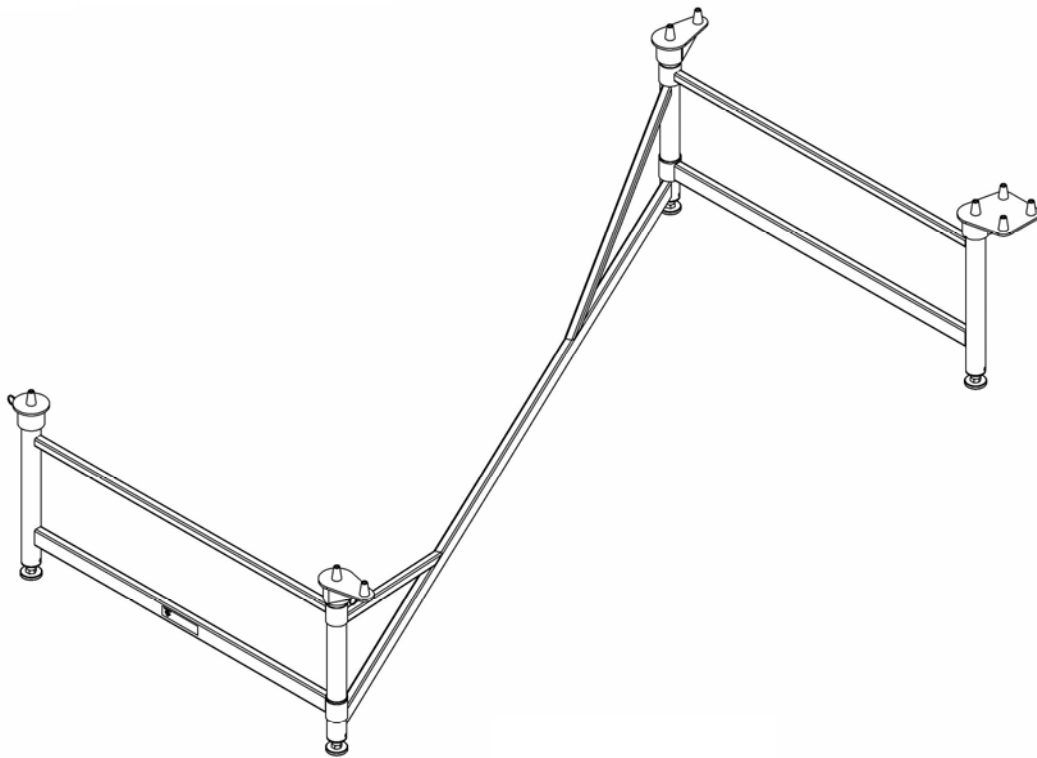




STAGE RIGHT

PRODUCT INFORMATION PACKET

PRODUCT NAME: Z – HEAVY DUTY SUPPORT SYSTEMS



KEEP INFORMATION PACKET FOR FUTURE REFERENCE

Table of Contents

- Introduction..... 1
- General Safety Rules..... 2
- Symbols..... 3
- Technical Specifications..... 4
- Instructions..... 5
- Maintenance..... 7
- Customer Service Information..... 7

Introduction

The StageRight Z-Heavy Duty Support System has been designed and manufactured with safety, performance and dependability as top priorities, making it easy to operate and maintain.

The care you give your Z-HD Support will greatly determine your satisfaction with its performance and service life. Careful study of this manual is encouraged to obtain a thorough understanding of your new Z-HD Support and its functions and maintenance.

If your manual becomes lost or destroyed, StageRight will gladly provide you with a new copy. Should you require additional information or assistance, please feel free to contact us at 1-800-438-4499.

BECAUSE STAGERIGHT CORPORATION MAINTAINS AN ONGOING PROGRAM OF PRODUCT DEVELOPMENT AND IMPROVEMENT, WE RESERVE THE RIGHT TO MAKE IMPROVEMENTS IN DESIGN OR CHANGES IN SPECIFICATIONS WITHOUT INCURRING ANY OBLIGATIONS TO INSTALL THEM ON UNITS PREVIOUSLY SOLD.

General Safety Rules



WARNING!


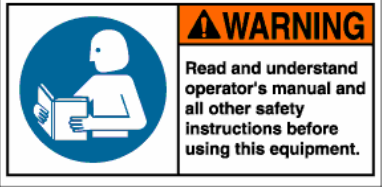

READ AND UNDERSTAND ALL INSTRUCTIONS.

Failure to follow all instructions listed below may result in serious personal injury.

SAVE THESE INSTRUCTIONS

- **Stay clear of all pinch points.**
- **Make sure that all fasteners are properly engaged before use.** Faspins, button stops, and jam nuts need to be properly engaged before use.
- **Make sure that all decks are positioned properly onto the support system.**
- **Save these instructions.** Refer to them frequently and use them to instruct others who may use the Z-HD SUPPORT SYSTEM.
- **Read the Product Information Packet.** Failure to read the information packet is considered a misuse of this equipment.
- **Become familiar with all caution and warning decals affixed to the support system before use.**
- **Never cover or deface caution/warning labels.**

Symbols

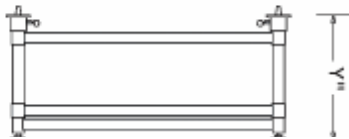
	<p>Safety Alert: Precautions that involve your safety</p>
	<p>Read The Operator's Manual: To reduce risk of injury, user must read and understand operator's manual before using this product</p>
	<p>Pinch Point Warning Label: Failure to keep hands away from pinch points will result in personal injury</p>

StageRight Corporation Technical Specifications

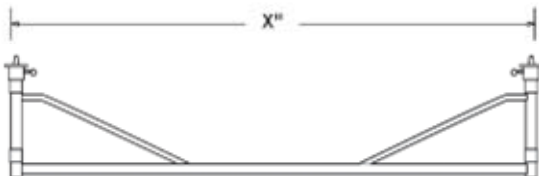
Z - HD Support Systems

	4' x 8'	4' x 6'	4' x 4'	3' x 8'	3' x 6'	2' x 8'		
12" Fixed Height	311010 34 lbs	311610 31 lbs	311410 28 lbs	311510 32 lbs	311310 29 lbs	311210 29 lbs		
16" Fixed Height	311015 36 lbs	311615 33 lbs	311415 30 lbs	311515 34 lbs	311315 31 lbs	311215 31 lbs		
24" Fixed Height	311020 54 lbs	311620 51 lbs	311420 59 lbs	311520 50 lbs	311320 47 lbs	311220 45 lbs		
32" Fixed Height	311025 59 lbs	311625 56 lbs	311425 53 lbs	311525 55 lbs	311325 52 lbs	311225 50 lbs		
40" Fixed Height	311027 64 lbs	311627 61 lbs	311427 58 lbs	311527 60 lbs	311327 57 lbs	311227 55 lbs		
18"- 24" Adjustable Height	311030 58 lbs	311630 55 lbs	311430 52 lbs	311530 54 lbs	311330 51 lbs	311230 49 lbs		
24"- 32" Adjustable Height	311035 63 lbs	311635 60 lbs	311435 57 lbs	311535 59 lbs	311335 56 lbs	311235 54 lbs		
32"- 40" Adjustable Height	311040 68 lbs	311640 65 lbs	311440 62 lbs	311540 64 lbs	311340 61 lbs	311240 59 lbs		
	Single Locator	Dual Locator	Quad Locator	Dual -Dual Locator	Dual-Quad Locator	Tri-Center Locator	Tri-Left Locator	Tri-Right Locator
Part #	314340	314345	314355	314456	314457	314350	314352	314351
Weight	2	3	5	4	6	4	4	4

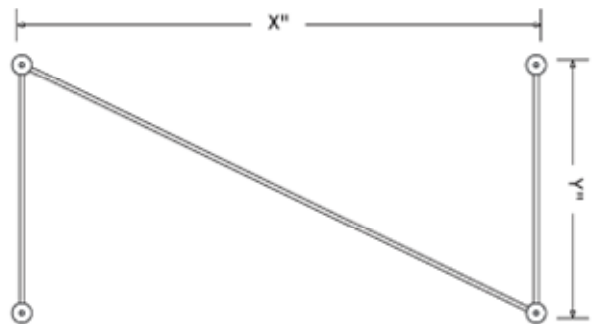
END VIEW: Z - HD Support System



SIDE VIEW: Z - HD Support System



TOP VIEW: Z - HD Support System

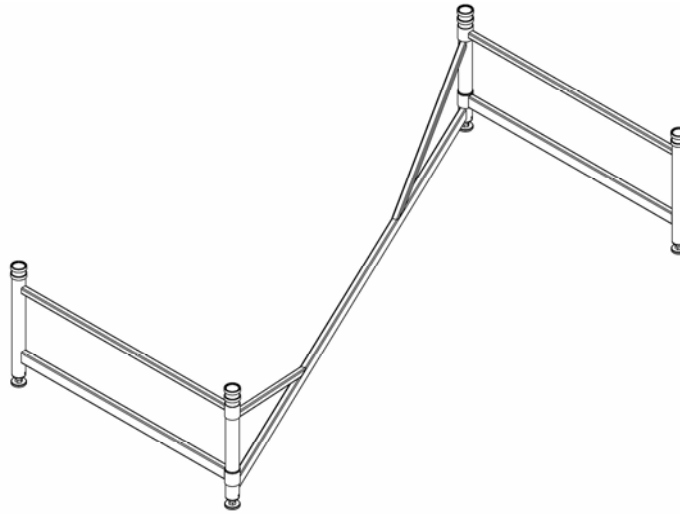


Construction, Finish, and Hardware

- Constructed of ASTM specified steel
- Baked-on powder coat finish.
- Zinc-plated hardware

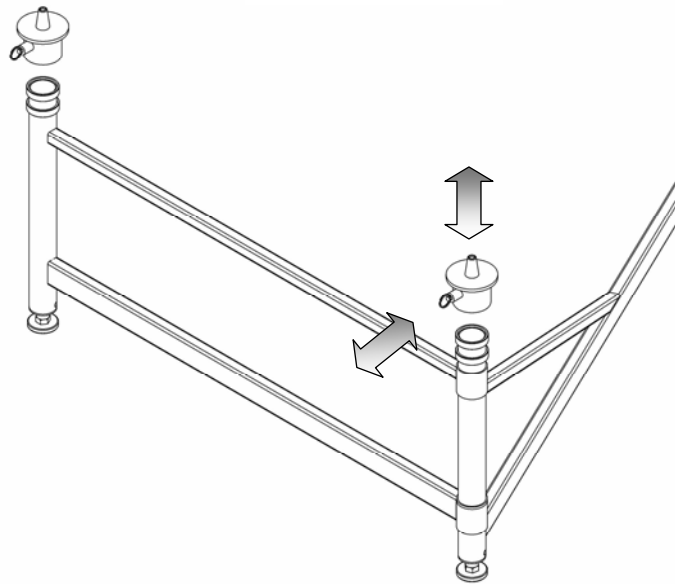
Instructions

1



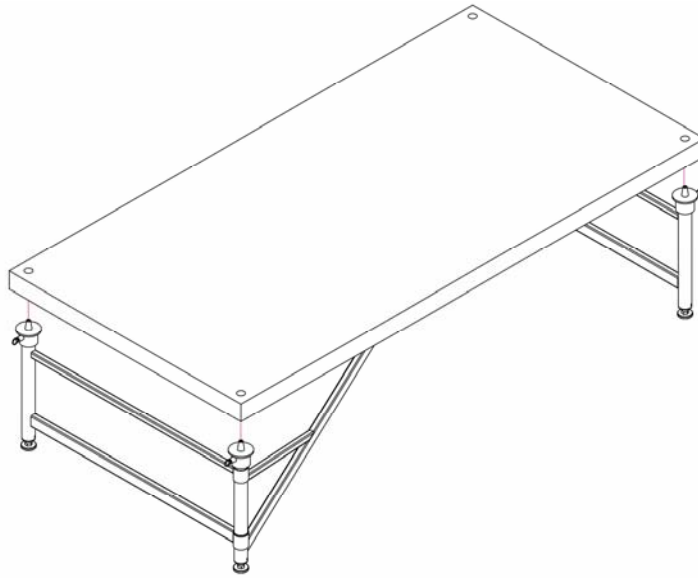
***Note: Two people are required for this assembly.** To begin the setup of your Z-HD support system, rotate the outside legs in opposite directions until the unit can stand freely, creating a Z-shape.

2



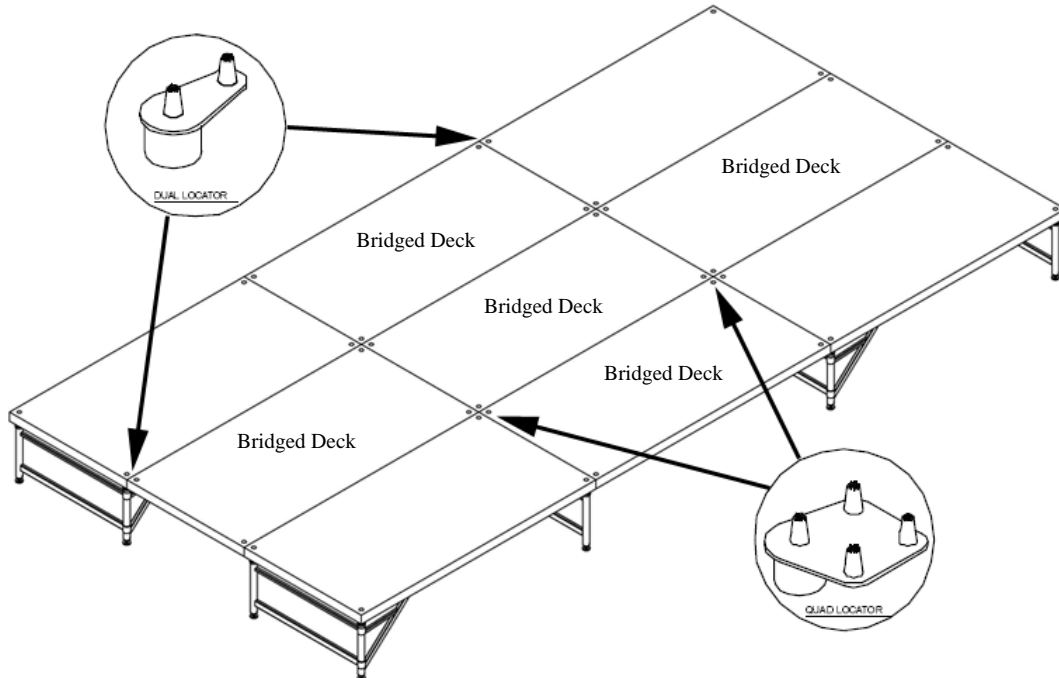
Next place the desired locators on the support system by pulling out on the lock pins and then lowering them onto the upright tubes. Release the pin to engage the locator.

3



To place the deck on the Z-HD support system, begin by aligning the holes at one end of the deck to the locating nodes at the corresponding end of the support system. Lower the end down. Align the remaining holes of the deck to the support system and lower the deck completely onto the supports. If equipped, the decks can be tied down to the support system by removing the deck plugs and screwing a tie down bolt into the locating node.

4



With the correct usage of the deck locators, decks can be bridged between support systems. The 3 x 3 deck arrangement as shown above can be assembled with only four support systems due to bridging decks.

Maintenance



WARNING!

Read And Understand All Maintenance Procedures.

Failure to follow all procedures listed below may cause serious injury and a decrease in the equipments functional existence.

- **Frequently check to see that all fasteners are properly engaged.**
- **Touch up paint can be used to cover any scratches or blemishes sustained through use.**
- **Replace any damaged equipment with genuine StageRight parts.** Failure to do so may result in unsafe equipment and/or personal injury.

Customer Service

For parts or service contact StageRight Corporation. When ordering parts be sure to provide all relevant information available including the name and part number of the equipment purchased. This information is located on the technical specification page of this product information package. Customer Service hours are Monday thru Friday from 8:00 a.m. to 5:00 p.m. Eastern Standard Time. Customers can phone toll-free at (800) 438-4499 or mail

StageRight Corporation
495 Pioneer Parkway
Clare, Michigan 48617
www.stageright.com



SET UP IN MINUTES



STURDY, WITH NO TOOLS REQUIRED



UNSURPASSED CUSTOMER SERVICE

StageRight Corporation
495 Pioneer Parkway
Clare, MI 48617
Toll-free: 800-438-4499
Phone: 989-386-7393
Fax: 989-386-3500
Email: info@stageright.com
Web: www.stageright.com