

FirstChair™

Product Information Sheet



Durable.
Comfort.

The new FirstChair™ by StageRight redefines the music chair – and its looks are only the beginning. The ergonomic design and breathable mesh promotes better circulation which enables musicians to optimize their performance. The specially woven seat and back suspension material developed for the FirstChair does what other music chairs can't – it conforms to the musician's body and keeps them cool at the same time. This innovative weave is self-healing, standing up to rigorous classroom use. With its contemporary, lyrical design and revolutionary materials, the FirstChair is quickly becoming the leader in its class.



Features and Benefits

Sloping Seat Pan

- Rolls the hips open, giving an encouraging seating position.
- Allows students to put feet on the floor.

Breathable Fabric

- Allows for air flow giving a very comfortable seat for long durations.

Contour Forming Fabric

- Eliminates 'Hot Point' and 'Pressure Point' when seating.
- Prevents the student/performers from sliding, reducing fidgeting and attention loss.
- Allows for a comfortable seating position regardless of instrument.

Steel "X" frame Construction

- Allows sturdy stacking and storage without dangerous mid-class falls.

Specifications

- Black Mesh only available.
- 2 Sizes Available (measured from the floor to the top lip of seat pan): - 18.5" - 17.5"

Transportation Carts

- Carts have handles and will fit through a standard door
- Single Unit stores 10 stacking chairs
- Dual Unit stores 20 stacking chairs

Technical Specifications

Frame

Main support frame is made using 1.25" x .625" oval steel tubing. FirstChair will support more than 1,000 lbs.

Seat and Chair Back

Seat and chair back are injection molded using structural nylon which give the chair an incredible strength to weight ratio (pound for pound stronger than steel) and impact resistance. The nylon frames provide the main structural support for the upper sections of the chair and house the mesh. Chair back is attached to the top of the front legs of the chair through a system of glides and snaps that lock into the oval steel tube.

Mesh

Commercial-grade, breathable elastomeric mesh is made in the USA and is upholstered to the nylon seat and back frames using a proprietary bonding process that is patent-pending. Mesh is tear, stain, fire, and abrasion resistant (see Standards below).

Standards

Mesh passes ANSI/BIFMA x 5.1 - 2002, California Bulletin 117, British Standard 5852 Section 4: 12.2 - 12.3, and is tested to over 50,000 double rubs.

Frame Finish

Steel finish is electrostatically applied, heat cured powder coat. UV formulated for indoor and outdoor use.

Leg Feet and Caps

Feet are injection molded using a no marring thermoplastic elastomer.

Stacking

The shape and construction of the chair provides stable, positive indexing when stacked.

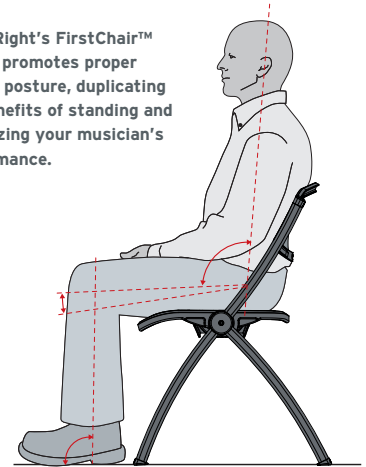
Carts

Single stack cart holds 10 chairs that includes 4 casters (Two locking swivel). Double Stack cart holds 20 chairs that includes 4 casters (Two locking swivel). Both are steel construction coated with electrostatically applied, heat cured powder coat.

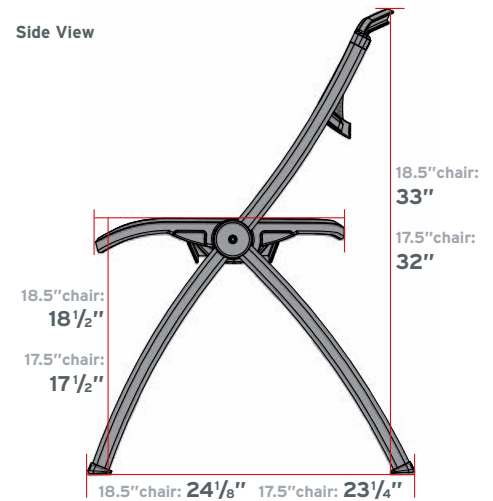
Warranty

Warranted to be free from defects in materials and workmanship under normal use, service, and handling for three (3) years.

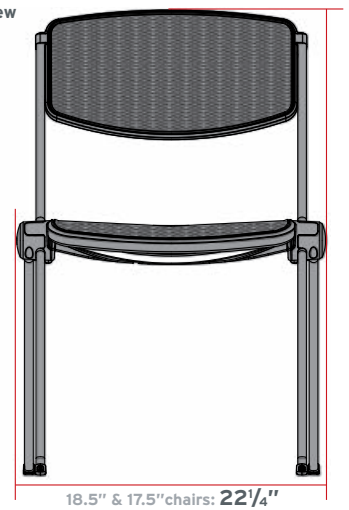
StageRight's FirstChair™ design promotes proper seated posture, duplicating the benefits of standing and optimizing your musician's performance.



Side View



Front View



The innovative design of FirstChair allows for vertical stacking, reducing your storage footprint.

Ordering Information

FirstChair™

Part #	Description	WT (lbs.)
360173	FirstChair	18.5" 12lbs.
360174	FirstChair	17.5" 12lbs.



STAGERIGHT