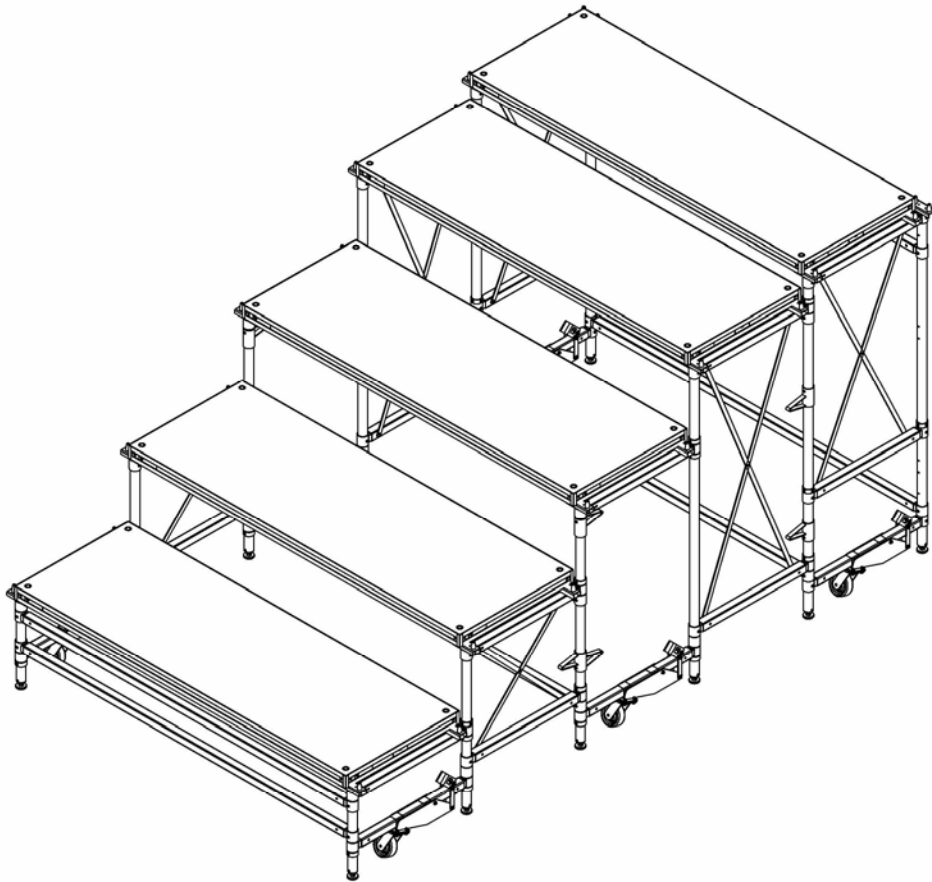




**STAGE**RIGHT

**PRODUCT INFORMATION PACKET**

**PRODUCT NAME: ML-1600 SEATING RISER**



**KEEP INFORMATION PACKET FOR FUTURE REFERENCE**

# Table of Contents

---

▪ Introduction.....	1
▪ General Safety Rules.....	2
▪ Symbols.....	3
▪ Technical Specifications.....	4
▪ Instructions.....	5
▪ Maintenance.....	9
▪ Customer Service Information.....	9

## Introduction

---

The StageRight ML-1600 Seating Riser has been designed and manufactured with safety, performance and dependability as top priorities, making it easy to operate and maintain.

The care you give your ML-1600 Seating Riser will greatly determine your satisfaction with its performance and service life. Careful study of this manual is encouraged to obtain a thorough understanding of your new ML-1600 Seating Riser and its functions and maintenance.

If your manual becomes lost or destroyed, StageRight will gladly provide you with a new copy. Should you require additional information or assistance, please feel free to contact us at 1-800-438-4499.

BECAUSE STAGERIGHT CORPORATION MAINTAINS AN ONGOING PROGRAM OF PRODUCT DEVELOPMENT AND IMPROVEMENT, WE RESERVE THE RIGHT TO MAKE IMPROVEMENTS IN DESIGN OR CHANGES IN SPECIFICATIONS WITHOUT INCURRING ANY OBLIGATIONS TO INSTALL THEM ON UNITS PREVIOUSLY SOLD.

# General Safety Rules

---



## **WARNING!**

### **READ AND UNDERSTAND ALL INSTRUCTIONS.**


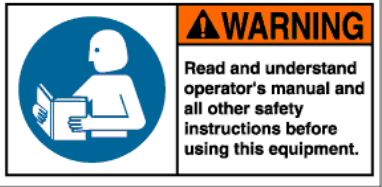

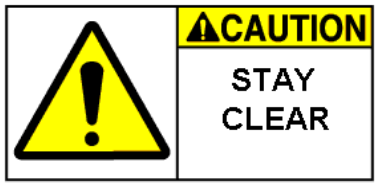
Failure to follow all instructions listed below may result in serious personal injury.

---

## **SAVE THESE INSTRUCTIONS**

- **Stay clear of all pinch points.**
- **Make sure that all fasteners are properly engaged before use.** Faspins, button stops, and jam nuts need to be properly engaged before use.
- **Make sure that all decks are positioned properly onto the support system.**
- **Save these instructions.** Refer to them frequently and use them to instruct others who may use the ML-1600 SEATING RISER SYSTEM.
- **Read the Product Information Packet.** Failure to read the information packet is considered a misuse of this equipment.
- **Become familiar with all caution and warning decals affixed to the support system before use.**
- **Never cover or deface caution/warning labels.**

# Symbols

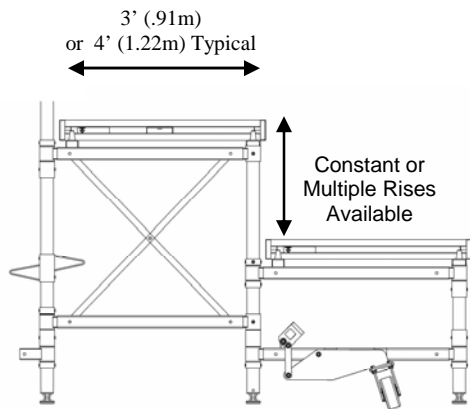
	<p><b>Safety Alert:</b> Precautions that involve your safety</p>
	<p><b>Read The Operator's Manual:</b> To reduce risk of injury, user must read and understand operator's manual before using this product</p>
	<p><b>Pinch Point Warning Label:</b> Failure to keep hands away from pinch points will result in personal injury</p>
	<p><b>Stay Clear of Caster Handle:</b> Caster handle can rotate over at high speeds when casters are being disengaged. Stay clear of handle path</p>

# StageRight Corporation Technical Specifications

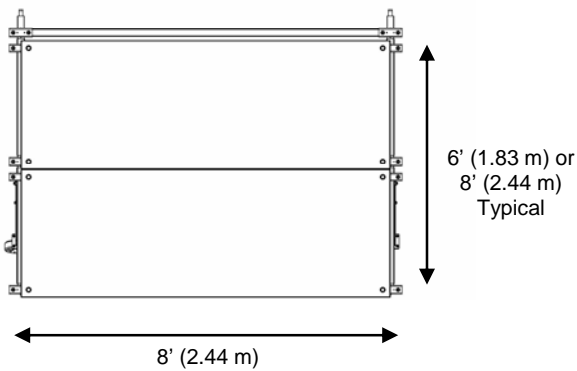
---

## ML-1600 SEATING RISER

### SIDE VIEW:



### TOP VIEW:

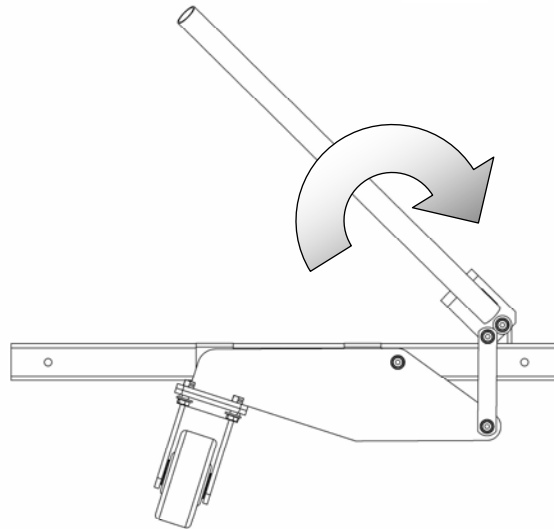


### **Construction, Finish, and Hardware**

- Locator nodes made of steel
- Constructed of ASTM specified steel
- Molded urethane foot boss
- Baked-on powder coat finish.
- Zinc-plated hardware

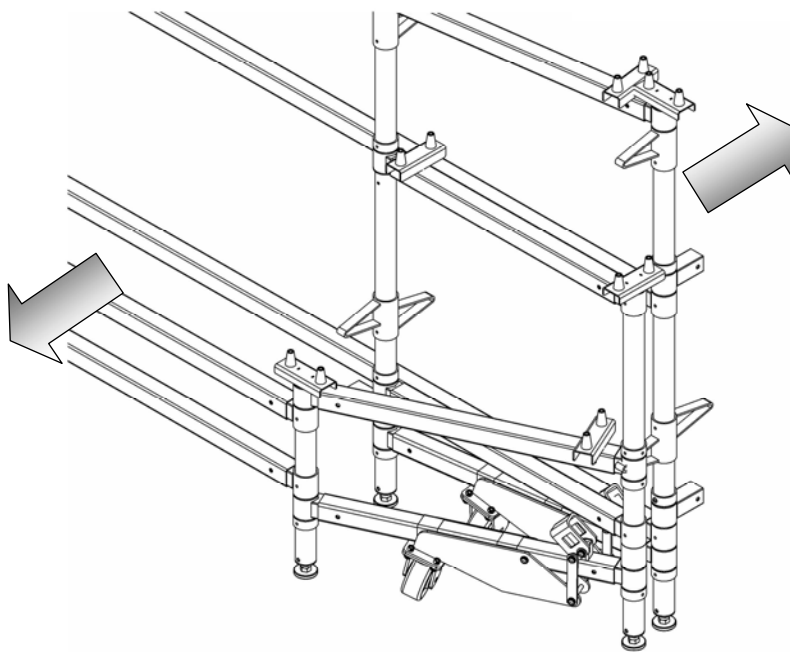
# Instructions

1



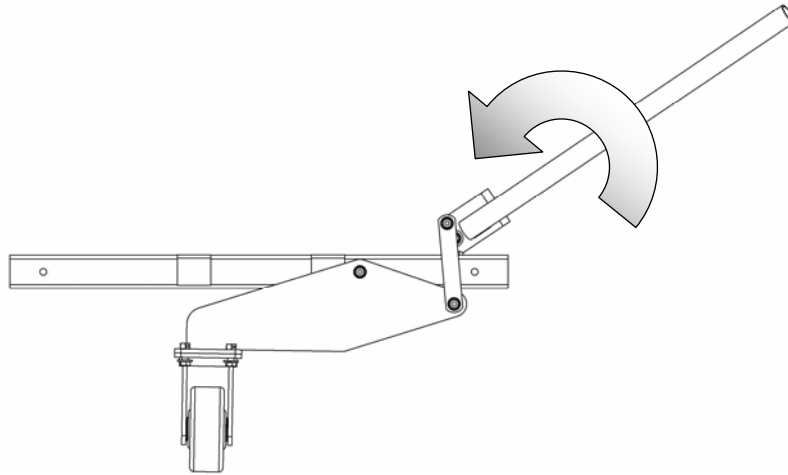
When setting up the ML-1600 Seating Riser, engage the casters before trying to open up the unit. To engage the casters, use the supplied handle and rotate the castor unit until the casters securely come in contact with the floor. Make sure the castor unit has been fully rotated before proceeding.

2



**Note: This step requires four people.** With the casters engaged and the seating riser in the desired location, position one person on each corner of the unit. The two people in the back corners must hold the unit in position while the front two people pull on the unit to extend it out.

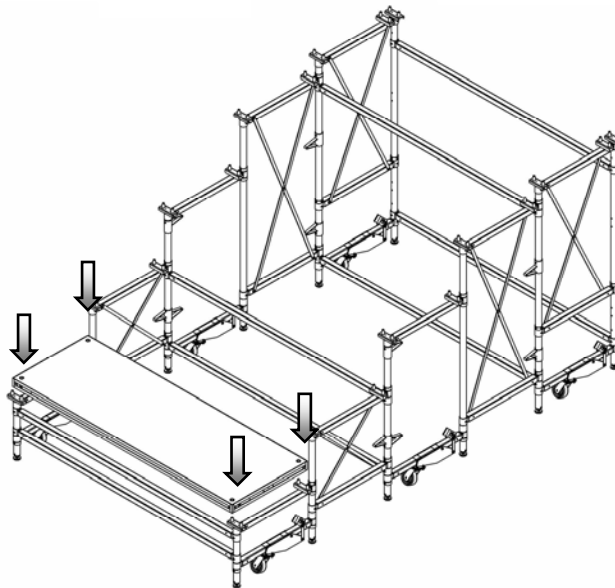
3



After the seating riser has been fully extended, be sure to disengage the casters. Once again this is done by using the supplied handle to rotate the caster unit to the disengaged position.

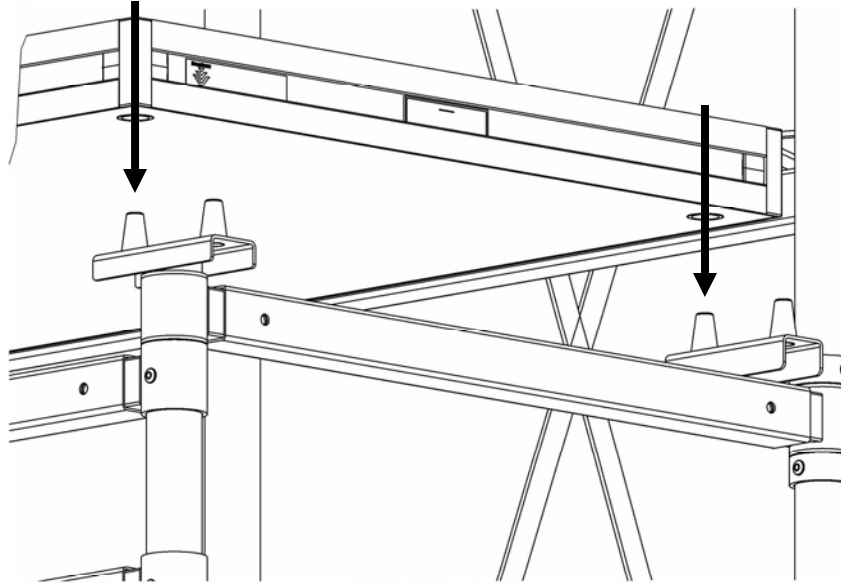
**Note: Caster handle can rotate over at high speeds when the casters are being disengaged. Stay clear of handle path!**

4



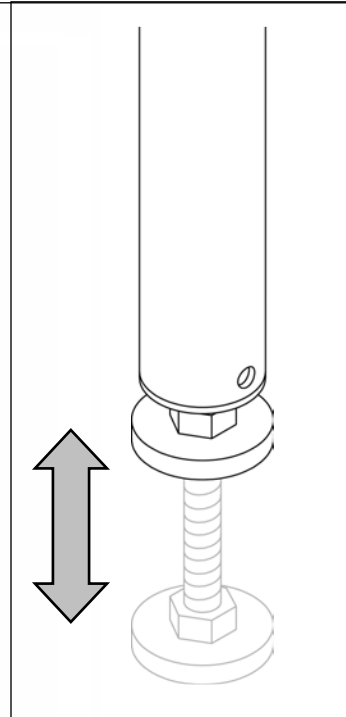
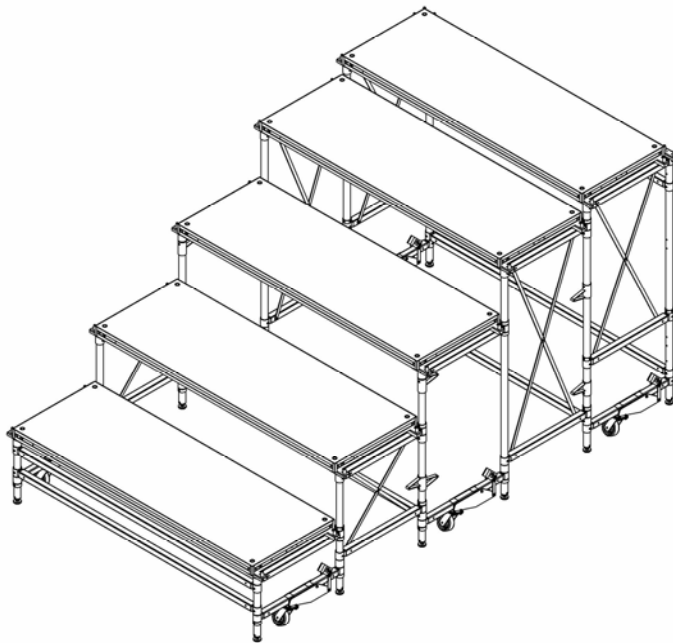
With the unit fully extended and the casters disengaged, begin placing the decks on the seating riser. Begin by placing decks on the lower levels and working up to the top level, alternating decks and hard-closure panels (if supplied).

5



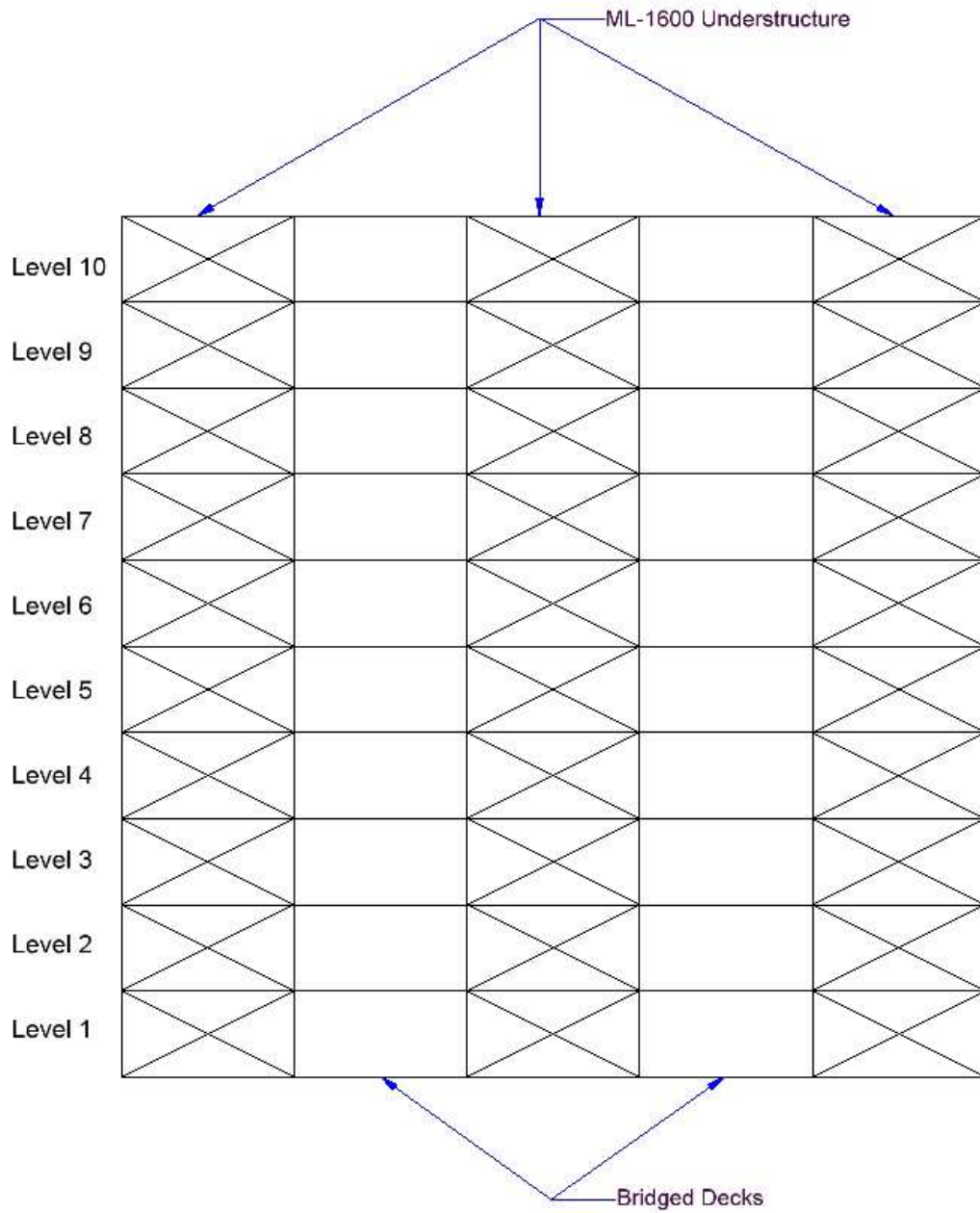
To correctly position the decks, align the holes in the deck with the locating nodes of the seating riser and drop the deck into place. If required, the decks can be securely fastened to the riser system with tie-down bolts that are dropped through the top of the deck and screwed into the locating nodes. If guardrail is attached to deck, deck must be fastened to riser system by a tie-down.

6



With all decks properly positioned go back and level the riser system. Leveling is done by turning the screw foot in or out in order to raise or lower the unit to the desired height.





ML-1600 Understructures can be used to bridge decks to provide the maximum amount of seating with a minimum number of understructures. Understructures may be set up as shown.

## Maintenance

---



### **WARNING!**

### **READ AND UNDERSTAND ALL MAINTENANCE PROCEDURES.**

Failure to follow all procedures listed below may cause serious injury and a decrease in the equipments functional existence.

---

- **Frequently check to see that all fasteners are properly engaged.**
- **Touch up paint can be used to cover any scratches or blemishes sustained through use.**
- **Replace any damaged equipment with genuine StageRight parts.** Failure to do so may result in unsafe equipment and/or personal injury.

## Customer Service

---

For parts or service contact StageRight Corporation. When ordering parts be sure to provide all relevant information available including the name and part number of the equipment purchased. This information is located on the technical specification page of this product information package. Customer Service hours are Monday thru Friday from 8:00 a.m. to 5:00 p.m. Eastern Standard Time. Customers can phone toll-free at (800) 438-4499 or mail:

StageRight Corporation  
495 Pioneer Parkway  
Clare, Michigan 48617  
[www.stageright.com](http://www.stageright.com)



SET UP IN MINUTES



STURDY, WITH NO TOOLS REQUIRED



UNSURPASSED CUSTOMER SERVICE

StageRight Corporation  
495 Pioneer Parkway  
Clare, MI 48617  
Toll-free: 800-438-4499  
Phone: 989-386-7393  
Fax: 989-386-3500  
Email: [info@stageright.com](mailto:info@stageright.com)  
Web: [www.stageright.com](http://www.stageright.com)