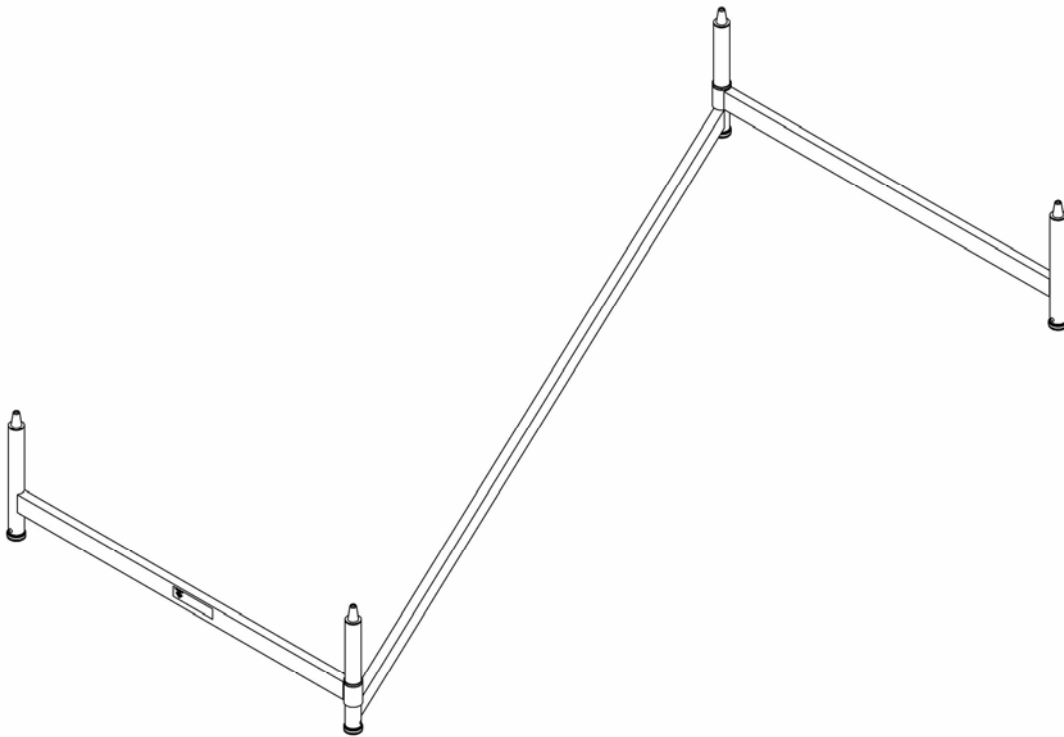




STAGE RIGHT

PRODUCT INFORMATION PACKET

PRODUCT NAME: Z – 800 SUPPORT SYSTEMS



KEEP INFORMATION PACKET FOR FUTURE REFERENCE

Table of Contents

- Introduction..... 1
- General Safety Rules..... 2
- Symbols..... 3
- Technical Specifications..... 4
- Instructions..... 5
- Maintenance..... 7
- Customer Service Information..... 7

Introduction

The StageRight Z-Support Systems have been designed and manufactured with safety, performance and dependability as top priorities, making it easy to operate and maintain.

The care you give your Z-Support System will greatly determine your satisfaction with its performance and service life. Careful study of this manual is encouraged to obtain a thorough understanding of your new Z-Support System and its functions and maintenance.

If your manual becomes lost or destroyed, StageRight will gladly provide you with a new copy. Should you require additional information or assistance, please feel free to contact us at 1-800-438-4499.

BECAUSE STAGERIGHT CORPORATION MAINTAINS AN ONGOING PROGRAM OF PRODUCT DEVELOPMENT AND IMPROVEMENT, WE RESERVE THE RIGHT TO MAKE IMPROVEMENTS IN DESIGN OR CHANGES IN SPECIFICATIONS WITHOUT INCURRING ANY OBLIGATIONS TO INSTALL THEM ON UNITS PREVIOUSLY SOLD.

General Safety Rules



WARNING!


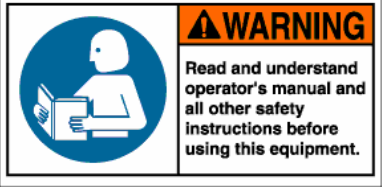

READ AND UNDERSTAND ALL INSTRUCTIONS.

Failure to follow all instructions listed below may result in serious personal injury.

SAVE THESE INSTRUCTIONS

- **Stay clear of all pinch points.**
- **Make sure that all fasteners are properly engaged before use.** Faspins, and jam nuts need to be properly engaged before use.
- **Make sure that all decks are positioned properly onto the support system.**
- **Save these instructions.** Refer to them frequently and use them to instruct others who may use the Z SUPPORT SYSTEMS.
- **Read the Product Information Packet.** Failure to read the information packet is considered a misuse of this equipment.
- **Become familiar with all caution and warning decals affixed to the support system before use.**
- **Never cover or deface caution/warning labels.**

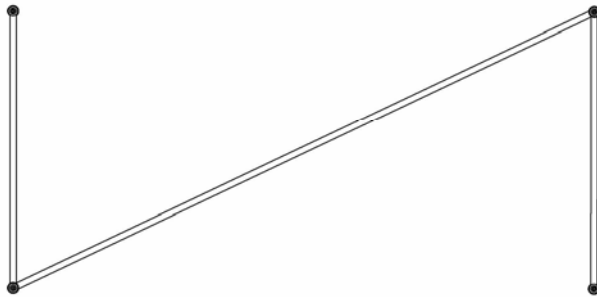
Symbols

	<p>Safety Alert: Precautions that involve your safety</p>
	<p>Read The Operator's Manual: To reduce risk of injury, user must read and understand operator's manual before using this product</p>
	<p>Pinch Point Warning Label: Failure to keep hands away from pinch points will result in personal injury</p>

StageRight Corporation Technical Specifications

Z - 800 Support Systems

Z-800	4' x 8'	4' x 6'	4' x 4'	3' x 8'	3' x 6'
8" Fixed	310008	310608	310408	310508	310308
12" Fixed	310012	310612	310412	310512	310312
16" Fixed	310016	310616	310416	310516	310316
24" Fixed	310024	310624	310424	310524	310324
32" Fixed	310032	310632	310432	310532	310332
12-16" Adjustable	310033	310633	310433	310533	310333
16-24" Adjustable	310034	310634	310434	310534	310334
24-32" Adjustable	310035	310635	310435	310535	310335

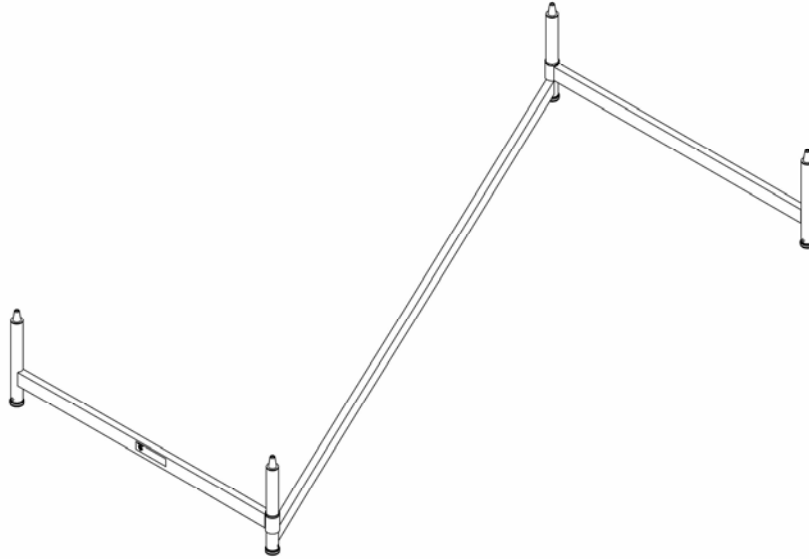


Construction, Finish, and Hardware

- Constructed of ASTM specified aluminum
- Baked-on powder coat finish.
- Zinc-plated hardware

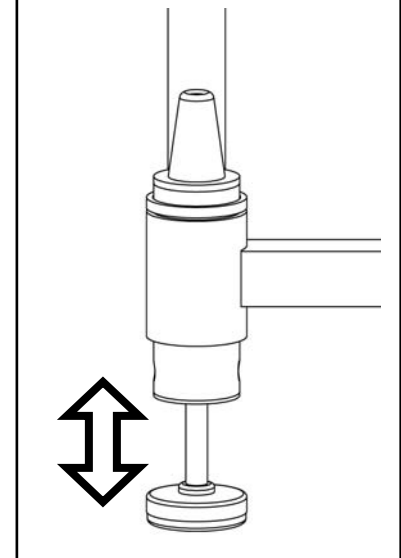
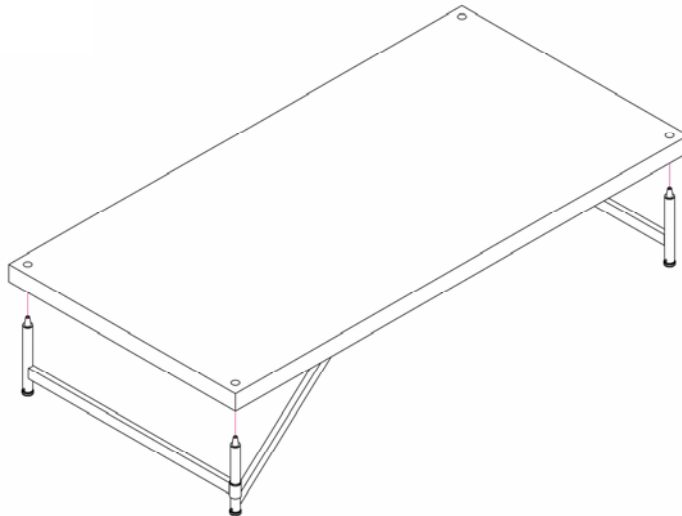
Instructions

1



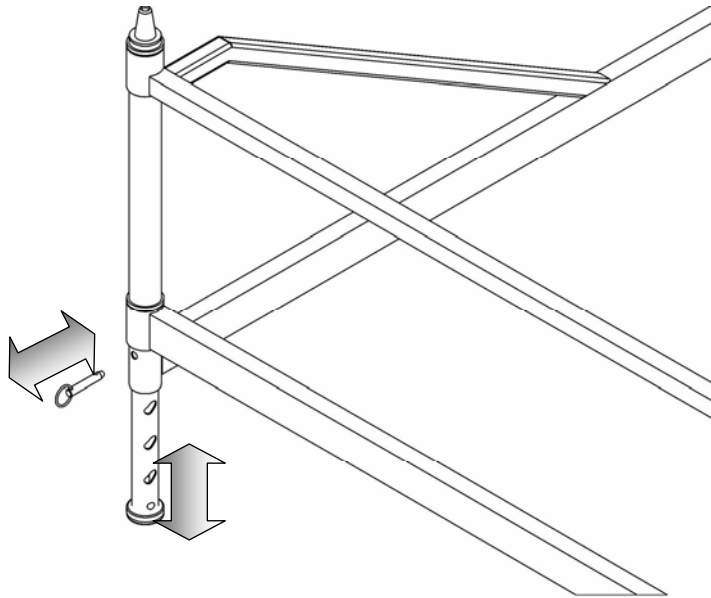
***Note: Two people are required for this assembly.** To begin the setup of your Z Support System, rotate the outside legs in opposite directions until the unit can stand freely, creating a "Z" shape.

2



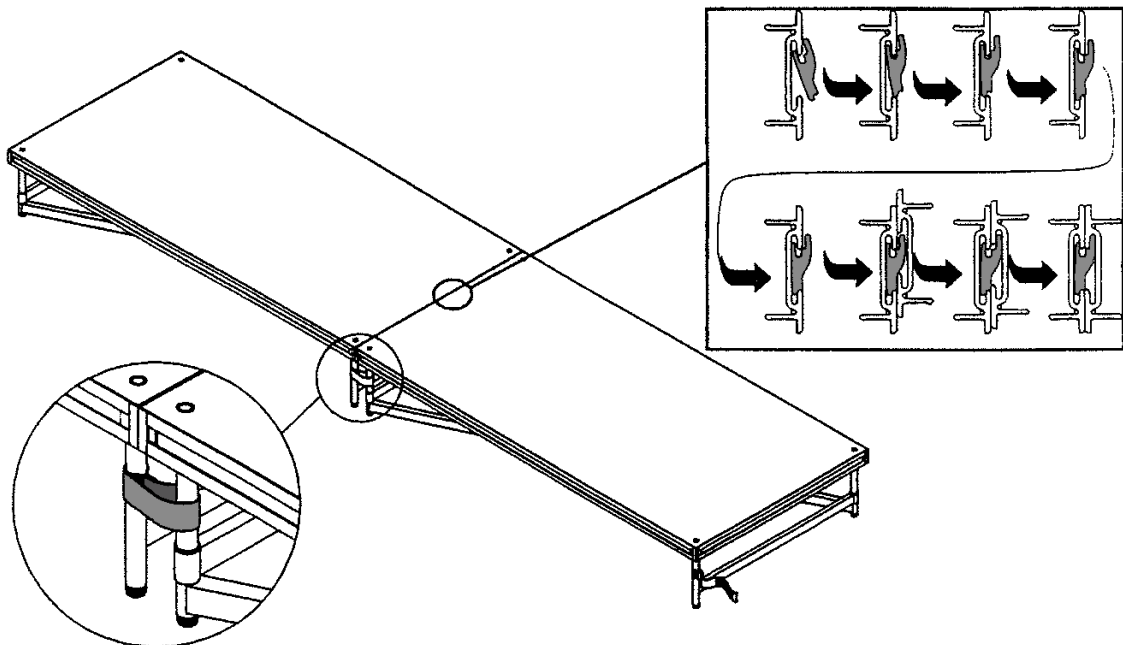
To place the deck on the Z Support System, begin by aligning the holes at one end of the deck to the locating nodes at the corresponding end of the support system. Lower the end down. Align the remaining holes of the deck to the support system and lower the deck completely onto the supports. If equipped, the decks can be tied down to the support system by removing the deck plugs and screwing a tie down bolt into the locating node. On the Z – 800 models, turn the screw foot in or out for fine adjustment leveling of the deck.

3



To adjust the deck height on the adjustable height models, prior to deck placement, remove the faspin and raise or lower the inner leg tube to the desired height. Once the desired height is obtained, reinsert the faspin.

4



For Multiple Unit Setups - As each new section butts up to the next, place an E-Z Clip in the edging of first unit and hook edging of second unit over the E-Z Clip as shown in illustration. For a multiple-height setup, find the strap that is on the support upright and loop it around the support upright of the adjoining section, securely joining Velcro fasteners.



WARNING!

Read and Understand All Maintenance Procedures

Failure to follow all procedures listed below may cause serious injury and a decrease in the equipments functional existence.

- **Frequently check to see that all fasteners are properly engaged.**
- **Touch up paint can be used to cover any scratches or blemishes sustained through use.**
- **Replace any damaged equipment with genuine StageRight parts.** Failure to do so may result in unsafe equipment and/or personal injury.

Customer Service

For parts or service contact StageRight Corporation. When ordering parts be sure to provide all relevant information available including the name and part number of the equipment purchased. This information is located on the technical specification page of this product information package. Customer Service hours are Monday thru Friday from 8:00 a.m. to 5:00 p.m. Eastern Standard Time. Customers can phone toll-free at (800) 438-4499 or mail:

StageRight Corporation
495 Pioneer Parkway
Clare, Michigan 48617
www.stageright.com



SET UP IN MINUTES



STURDY, WITH NO TOOLS REQUIRED



UNSURPASSED CUSTOMER SERVICE

StageRight Corporation
495 Pioneer Parkway
Clare, MI 48617
Toll-free: 800-438-4499
Phone: 989-386-7393
Fax: 989-386-3500
Email: info@stageright.com
Web: www.stageright.com