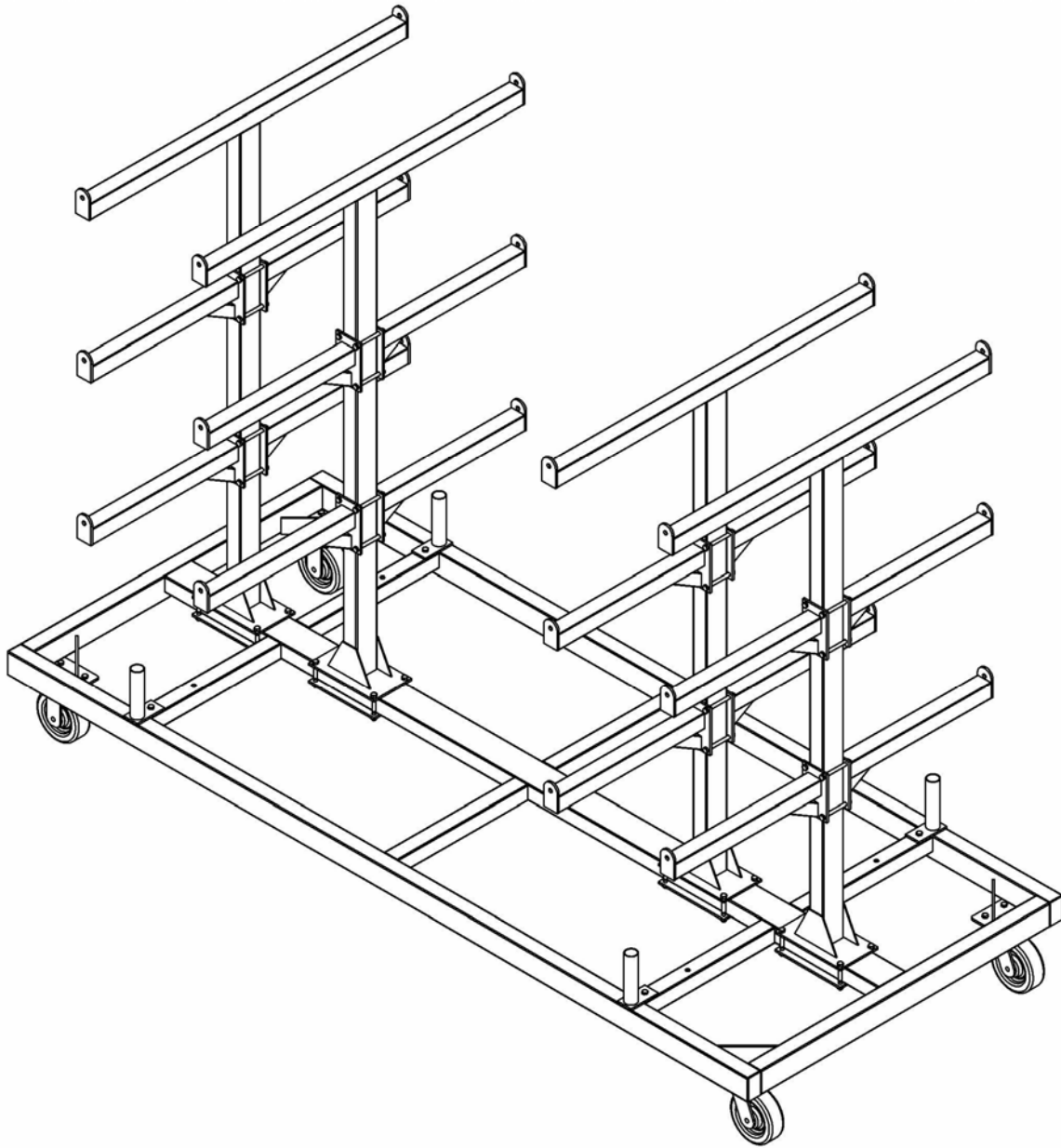




# STAGE RIGHT

## PRODUCT INFORMATION PACKET

PRODUCT NAME: Z-800 Support Cart



**KEEP INFORMATION PACKET FOR FUTURE REFERENCE**

# Table of Contents

---

- Introduction..... 1
- General Safety Rules..... 2
- Symbols..... 3
- Technical Specifications..... 4
- Use Instructions..... 5
- Maintenance..... 6
- Customer Service Information..... 6

# Introduction

---

The StageRight Z-800 Support Cart has been designed and manufactured with safety, performance and dependability as top priorities, making it easy to operate and maintain.

The care you give your Z-800 Support Cart will greatly determine your satisfaction with its performance and service life. Careful study of this manual is encouraged to obtain a thorough understanding of your new Z-800 Support Cart and its functions and maintenance.

If your manual becomes lost or destroyed, StageRight will gladly provide you with a new copy. Should you require additional information or assistance, please feel free to contact us at 1-800-438-4499.

BECAUSE STAGERIGHT CORPORATION MAINTAINS AN ONGOING PROGRAM OF PRODUCT DEVELOPMENT AND IMPROVEMENT, WE RESERVE THE RIGHT TO MAKE IMPROVEMENTS IN DESIGN OR CHANGES IN SPECIFICATIONS WITHOUT INCURRING ANY OBLIGATIONS TO INSTALL THEM ON UNITS PREVIOUSLY SOLD.

# General Safety Rules

---



## **WARNING!**

### **READ AND UNDERSTAND ALL INSTRUCTIONS.**


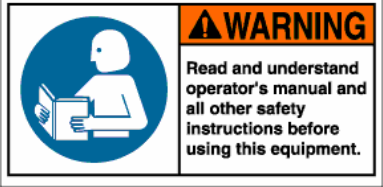

Failure to follow all instructions listed below may result in serious personal injury.

---

## **SAVE THESE INSTRUCTIONS**

- **Stay clear of all pinch points.**
- **Make sure that all fasteners are properly engaged before use.** Quick pins and jam nuts need to be properly engaged before use.
- **Save these instructions.** Refer to them frequently and use them to instruct others who may use the Z-800 Support Cart.
- **Read the Product Information Packet.** Failure to read the information packet is considered a misuse of this equipment.
- **Become familiar with all caution and warning decals affixed to the field equipment before use.**
- **Never cover or deface caution/warning labels.**

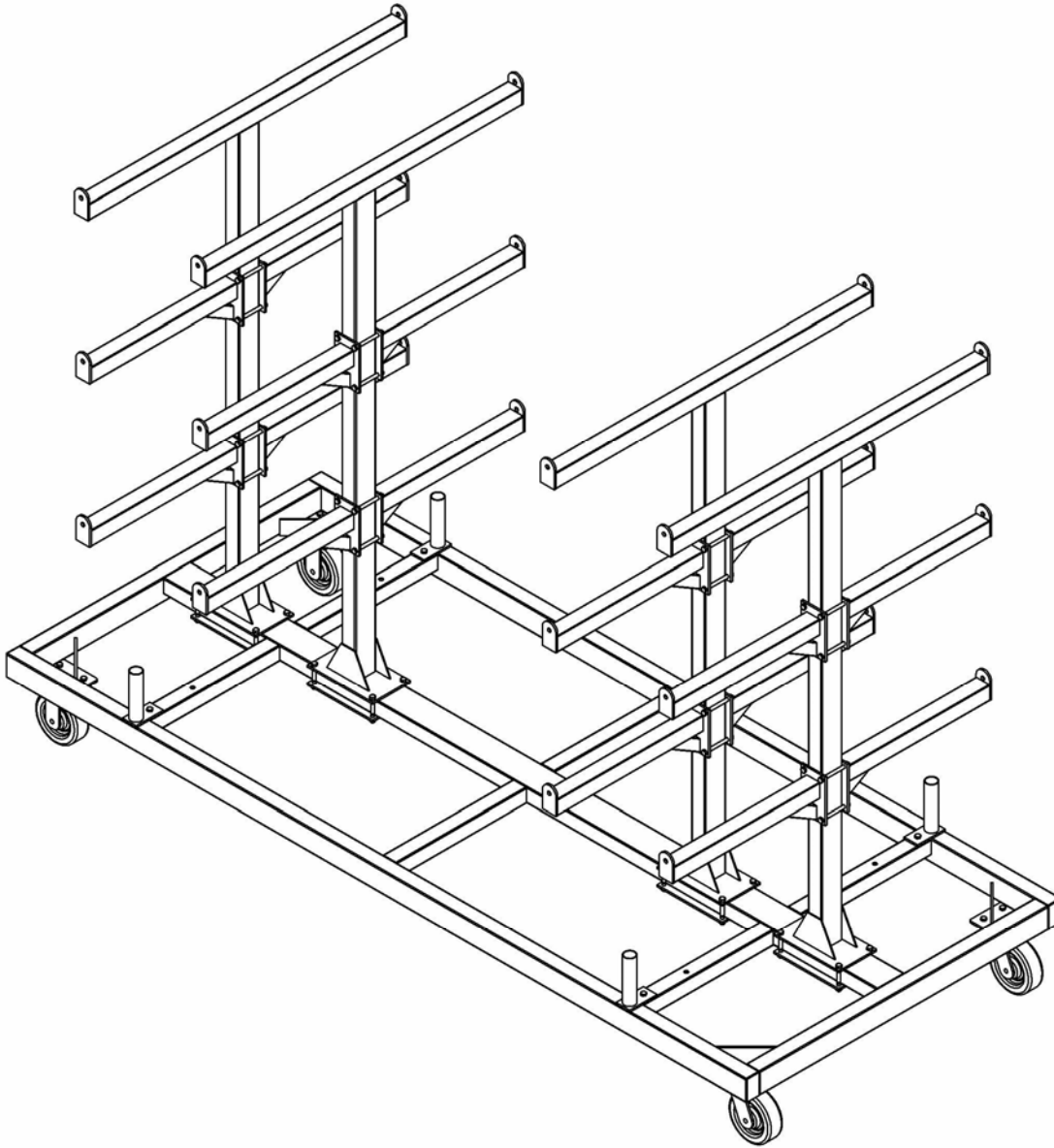
# Symbols

	<p><b>Safety Alert:</b> Precautions that involve your safety</p>
	<p><b>Read The Operator's Manual:</b> To reduce risk of injury, user must read and understand operator's manual before using this product</p>
	<p><b>Pinch Point Warning Label:</b> Failure to keep hands away from pinch points will result in personal injury</p>

# StageRight Corporation Equipment Specifications

---

## Z-800 Support Cart

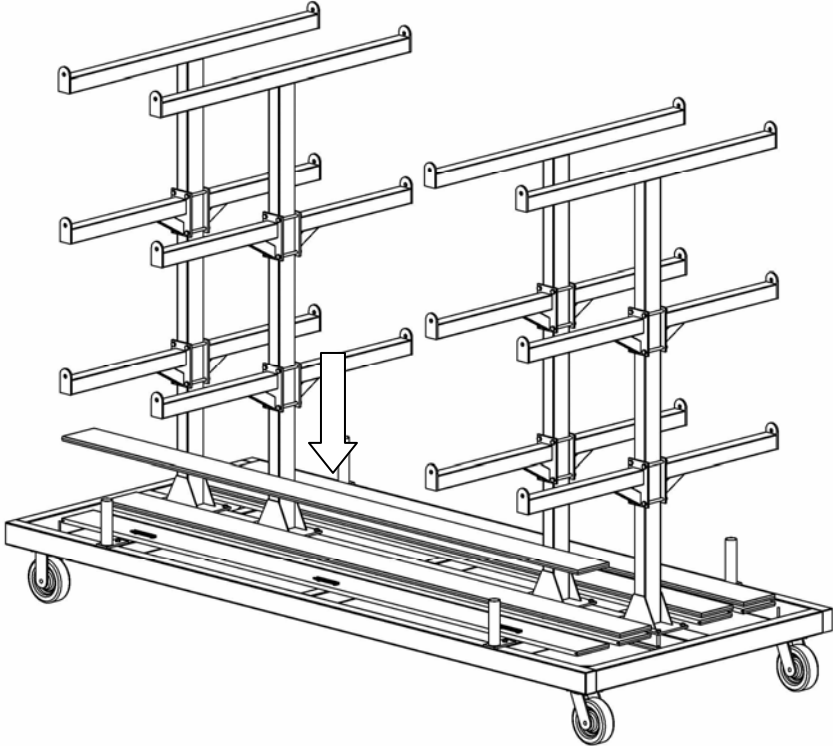


### **Construction, Finish, and Hardware**

- Constructed of ASTM specified steel
- Baked-on powder coat finish.
- Zinc-plated hardware

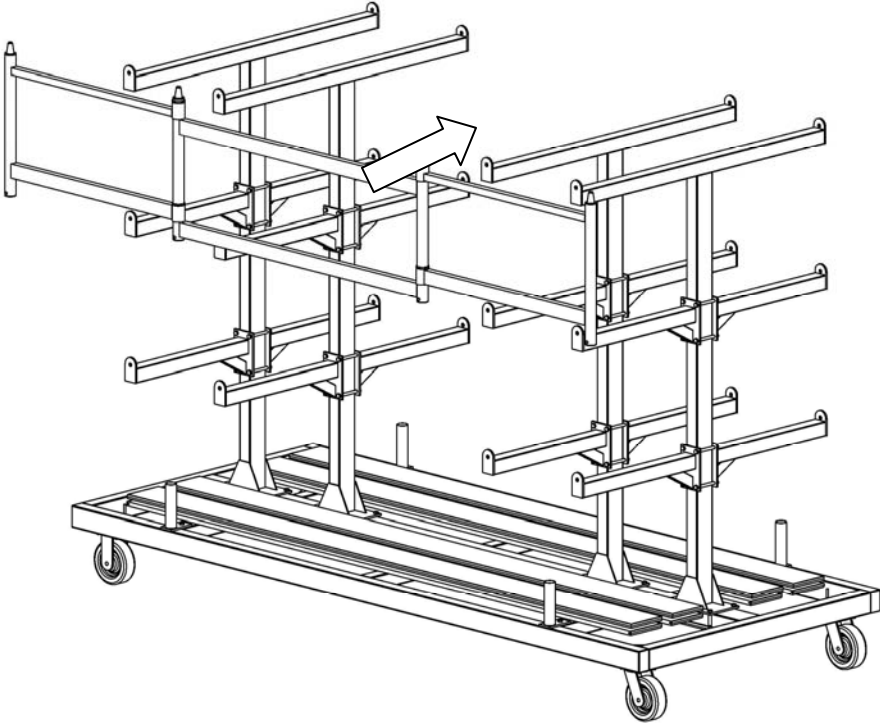
# User Instructions

1



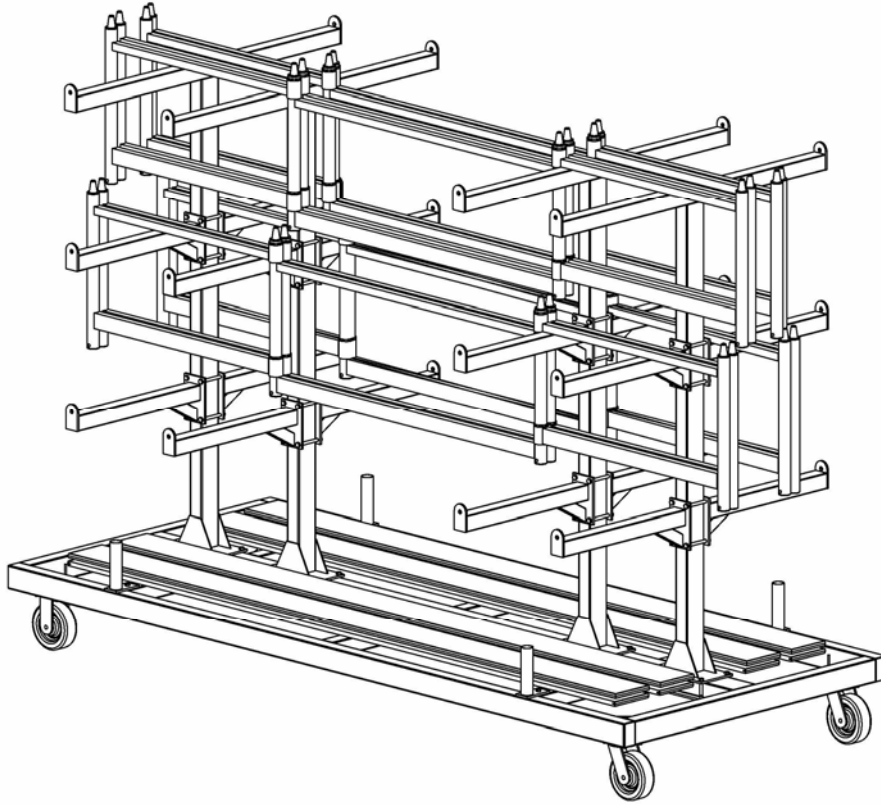
Load hardclosure panels, and/or chairstops onto cart as shown.

2



Load Z-800 understructure onto cart as shown.

3



# Maintenance

---



## **WARNING!**

### **Read and Understand All Maintenance Procedures**

Failure to follow all procedures listed below may cause serious injury and a decrease in the equipments functional existence.

---

- **Frequently check to see that all fasteners are properly engaged.**
- **Touch up paint can be used to cover any scratches or blemishes sustained through use.**
- **Replace any damaged equipment with genuine StageRight parts.** Failure to do so may result in unsafe equipment and/or personal injury.

# Customer Service

---

For parts or service contact StageRight Corporation. When ordering parts be sure to provide all relevant information available including the name and part number of the equipment purchased. This information is located on the technical specification page of this product information package. Customer Service hours are Monday thru Friday from 8:00 a.m. to 5:00 p.m. Eastern Standard Time. Customers can phone toll-free at (800) 438-4499 or mail:

StageRight Corporation  
495 Pioneer Parkway  
Clare, Michigan 48617  
[www.stageright.com](http://www.stageright.com)





SET UP IN MINUTES



STURDY, WITH NO TOOLS REQUIRED



UNSURPASSED CUSTOMER SERVICE

StageRight Corporation  
495 Pioneer Parkway  
Clare, MI 48617  
Toll-free: 800-438-4499  
Phone: 989-386-7393  
Email: [info@stageright.com](mailto:info@stageright.com)  
Web: [www.stageright.com](http://www.stageright.com)