

All Purpose Stage Deck

Product Information Sheet



Get superb
rigidity and sound
absorption in this
lightweight deck.

Give your performers the added confidence that comes from StageRight Decks. Made of high-strength outer layers bonded to a honeycomb core, the Decks are so rigid that performers think they're on the permanent floor. And they're remarkably quiet, too. The honeycomb core absorbs resonance to reduce the "drumhead" effect that can detract from a performance. Lightweight construction means added safety for your crews. The decks are reversible, giving you a choice for each event and doubling their wear life. And the decks are interchangeable on various StageRight support systems, allowing you to stage nearly any type of indoor event.



All Purpose Stage Deck

Features and Benefits

Rigid, Durable Construction

- Feel like you are performing on a permanent platform.
- Save setup time by "bridging" or suspending Decks between understructures.
- Save on your initial investment because you can interchange the same decks on various support systems to best suit the event.

Honeycomb Core

- Handle decks more easily thanks to their lighter weight (compared to a solid-core platform of comparable strength).
- Enjoy a performance free of undesirable resonance and the "drumhead" of foot noise.

Reversible

- Choose from two performance surfaces to best suit your event.
- Reduce maintenance costs by effectively doubling the wear life of the deck.
- Save on your initial investment, compared to purchasing and storing separate systems.

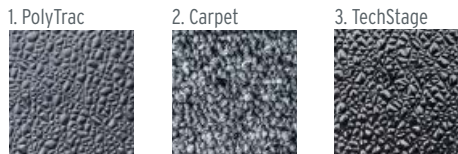
Aluminum Edging

- Save time by quickly attaching accessories such as skirting, chairstops and hardclosure panels.
- Reduce maintenance costs as the tough, aircraft-alloy composition and anodized finish resist damage.
- Enjoy the clean, attractive appearance.

Molded Corners

- Maintain Decks in top condition thanks to impact resistance of injection-molded-polycarbonate.
- Operate safely as smooth corners eliminate sharp metal edges.
- Save setup time because the decks align themselves as they fasten on the conical locator nodes of the support system.

Various Surface Options



Technical Specifications

Function

Deck shall be portable and provide a playing surface for a variety of indoor events when used in conjunction with, and interchangeably on, various StageRight supports.

Construction

Deck shall be a laminate of high-strength outer layers bonded to a honeycomb core of rigidity and light weight. Deck shall be a 3.2" thick laminate composite constructed of phenolic-treated cellulose honeycomb between 1/4" solid-core fir plywood. Deck edges shall be closed with a 6005-T5 aluminum extrusion that is clear-etched satin anodized. Corner reinforcement shall be made of high-impact, injection-molded poly-carbonate.

Corners

Deck shall attach by molded corner receptacles to most StageRight supports without tools, clamps or clips.

Reversible

Deck shall be finished on both sides to provide a choice of surfaces and increased wear life.

Quality

Deck as manufactured by StageRight Corporation (address below).

Custom Options

Decks also available in custom sizes, surfaces and shapes. Edging finish with baked-on matte-black coating.

Performance

Certified uniformly distributed live-load capacity of 4000 pounds per 4' x 8' section (125 pounds per square foot).

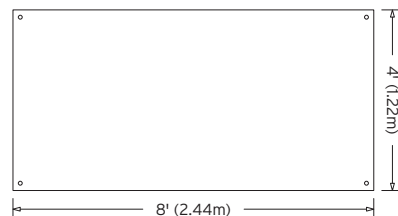
Surface Options (Swatches shown at left)

- PolyTrac A black, slip-resistant polypropylene. (Ideal for schools, light-duty hospitality and public events staging.)
- Carpet Commercial-grade polyolefin in gray. Other colors or custom types by special order. (Used for head table risers, speaking platforms.)
- TechStage Fiberglass sheeting with black textured surface. Excellent wear life and impact resistant. Other colors available by special order. (0.095" thick for performance staging.)

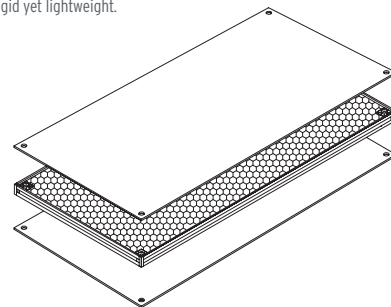
Side View



Top View

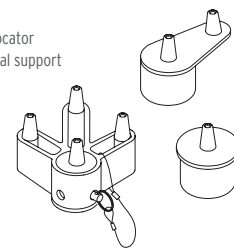


Laminated honeycomb-core construction is rigid yet lightweight.



Conical Locator Nodes

With StageRight's unique conical locator nodes, decks can be used on several support systems in various configurations. These drawings represent a few locator plate samples.



Ordering Information

4' x 8' All Purpose Deck

Parts #	Description	WT.(lbs.)
648AN1	PolyTrac Black, Both Sides	112
648AN12	PolyTrac Black/TechStage .095" Black	122
648AN1D	PolyTrac Black/Carpet Gray	125
648AN22	TechStage .095" Black, Both Sides	132
648AN2D	TechStage .095" Black/Carpet Gray	127
648AN33	FR TechStage .095" Black, Both Sides	132
648AN3D	FR TechStage .095" Black/Carpet Gray	127

4' x 6' All Purpose Deck

Parts #	Description	WT.(lbs.)
646AN1	PolyTrac Black, Both Sides	84
646AN12	PolyTrac Black/TechStage .095" Black	90
646AN1D	PolyTrac Black/Carpet Gray	94
646AN22	TechStage .095" Black, Both Sides	93
646AN2D	TechStage .095" Black/Carpet Gray	96

4' x 4' All Purpose Deck

Parts #	Description	WT. (lbs.)
644AN1	PolyTrac Black, Both Sides	56
644AN12	PolyTrac Black/TechStage .095" Black	61
644AN1D	PolyTrac Black/Carpet Gray	62
644AN22	TechStage .095" Black, Both Sides	66
644AN2D	TechStage .095" Black/Carpet Gray	56
644AN33	FR TechStage .095" Black, Both Sides	66

3' x 8' All Purpose Deck

Parts #	Description	WT. (lbs.)
638AN1	PolyTrac Black, Both Sides	86
638AN12	PolyTrac Black/TechStage .095" Black	93
638AN1D	PolyTrac Black/Carpet Gray	96
638AN22	TechStage .095" Black, Both Sides	100
638AN2D	TechStage .095" Black/Carpet Gray	86
638AN33	FR TechStage .095" Black, Both Sides	100

3' x 6' All Purpose Deck

Parts #	Description	WT. (lbs.)
636AN1	PolyTrac Black, Both Sides	63
636AN12	PolyTrac Black/TechStage .095" Black	68
636AN1D	PolyTrac Black/Carpet Gray	70
636AN22	TechStage .095" Black, Both Sides	74
636AN2D	TechStage .095" Black/Carpet Gray	74



STAGERIGHT