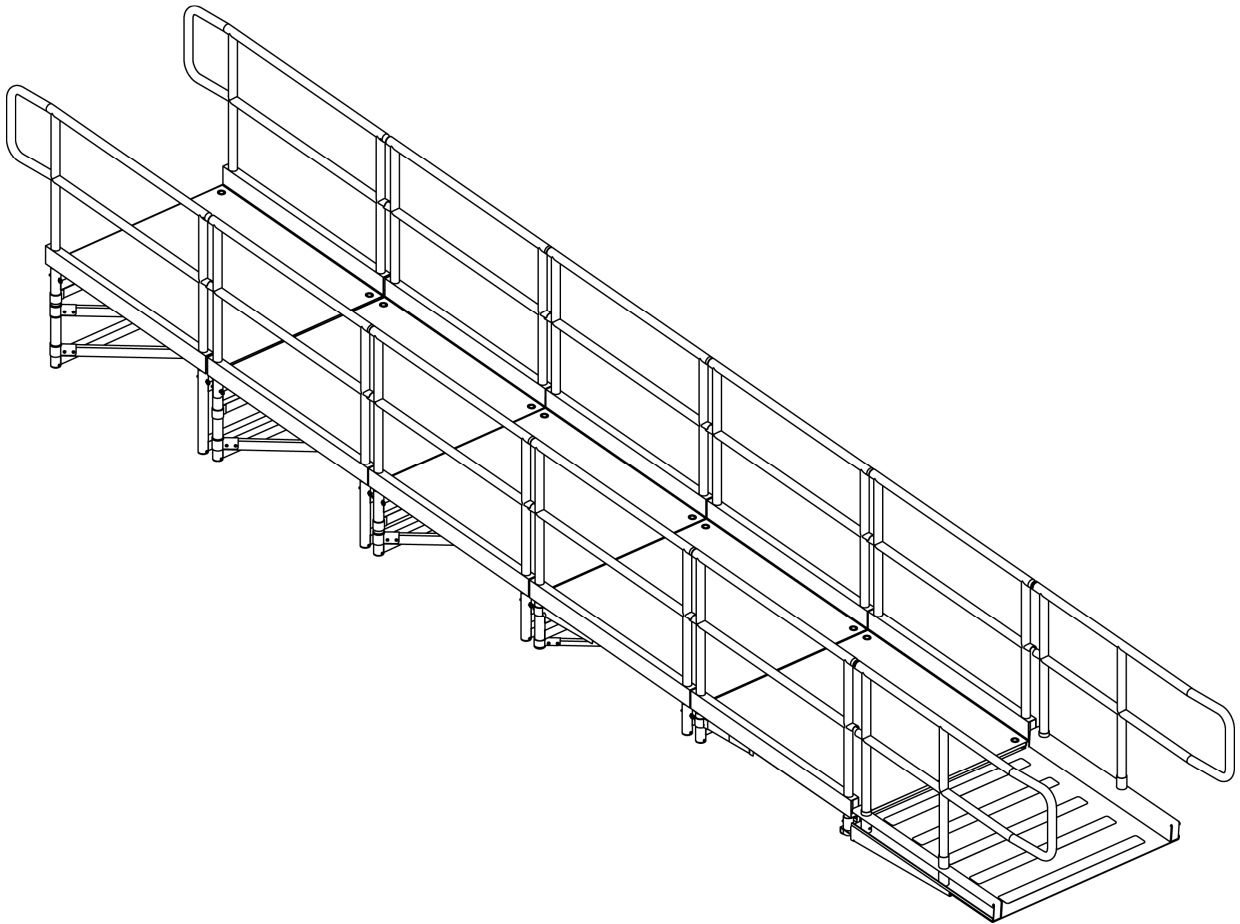




STAGE RIGHT

PRODUCT INFORMATION PACKET

PRODUCT NAME: Access Ramp



KEEP INFORMATION PACKET FOR FUTURE REFERENCE

Table of Contents

- Introduction.....1
- General Safety Rules.....2
- Symbols.....3
- Technical Specifications.....4
- Instructions.....5
- Maintenance.....7
- Customer Service Information.....7

Introduction

The StageRight Access Ramp has been designed and manufactured with safety, performance and dependability as top priorities, making it easy to operate and maintain.

The care you give your Access Ramp will greatly determine your satisfaction with its performance and service life. Careful study of this manual is encouraged to obtain a thorough understanding of your new Access Ramp and its functions and maintenance.

If your manual becomes lost or destroyed, StageRight will gladly provide you with a new copy. Should you require additional information or assistance, please feel free to contact us at 1-800-438-4499.

BECAUSE STAGERIGHT CORPORATION MAINTAINS AN ONGOING PROGRAM OF PRODUCT DEVELOPMENT AND IMPROVEMENT, WE RESERVE THE RIGHT TO MAKE IMPROVEMENTS IN DESIGN OR CHANGES IN SPECIFICATIONS WITHOUT INCURRING ANY OBLIGATIONS TO INSTALL THEM ON UNITS PREVIOUSLY SOLD.

General Safety Rules



WARNING!


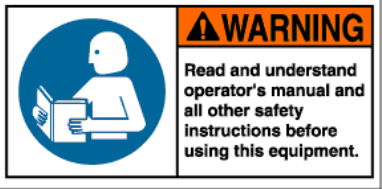

READ AND UNDERSTAND ALL INSTRUCTIONS.

Failure to follow all instructions listed below may result in serious personal injury.

SAVE THESE INSTRUCTIONS

- **Stay clear of all pinch points.**
- **Make sure that all fasteners are properly engaged before use.** Faspins, button stops, and jam nuts need to be properly engaged before use.
- **Make sure that all decks are positioned properly onto the support system.**
- **Save these instructions.** Refer to them frequently and use them to instruct others who may use the Access Ramp.
- **Read the Product Information Packet.** Failure to read the information packet is considered a misuse of this equipment.
- **Become familiar with all caution and warning decals affixed to the support system before use.**
- **Never cover or deface caution/warning labels.**
- **Make sure to set up in a safe environment to ensure maximum safety.**
- **Never use the Access ramp as an equipment ramp. Ramp is meant for people use only.**

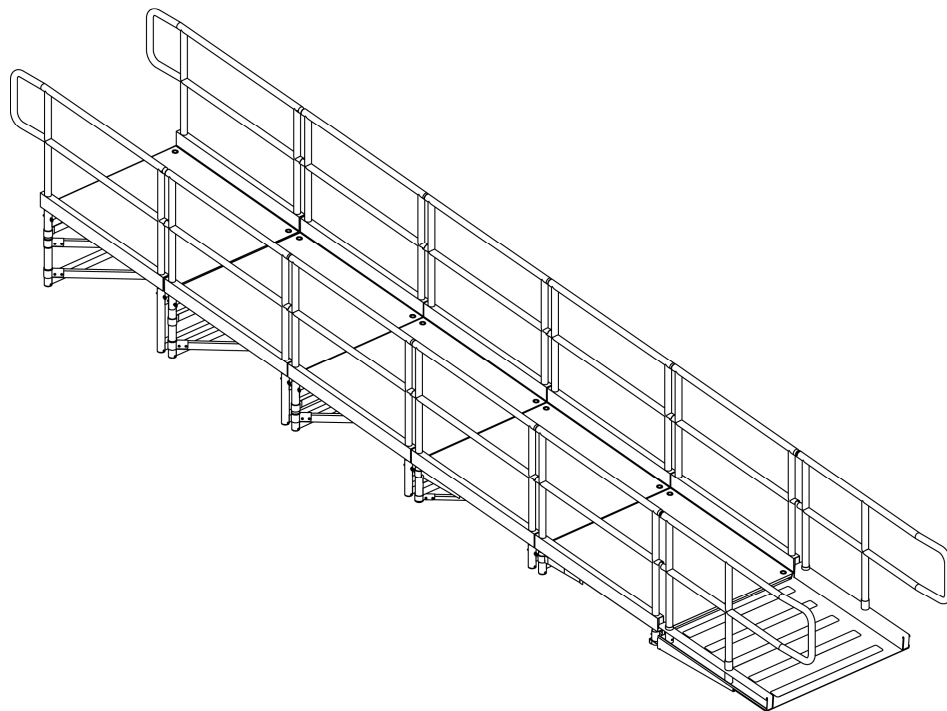
Symbols

	<p>Safety Alert: Precautions that involve your safety</p>
	<p>Read The Operator's Manual: To reduce risk of injury, user must read and understand operator's manual before using this product</p>
	<p>Pinch Point Warning Label: Failure to keep hands away from pinch points will result in personal injury</p>

StageRight Corporation Technical Specifications

Access Ramp

PART #	DESCRIPTION	PART #	DESCRIPTION
350408	0-8" Access Ramp	350415	0-36" Access Ramp
350409	0-12" Access Ramp	350416	0-40" Access Ramp
350410	0-16" Access Ramp	350417	0-48" Access Ramp
350411	0-20" Access Ramp	350418	0-56" Access Ramp
350412	0-24" Access Ramp	350419	0-64" Access Ramp
350413	0-28" Access Ramp	350420	0-72" Access Ramp
350414	0-32" Access Ramp		

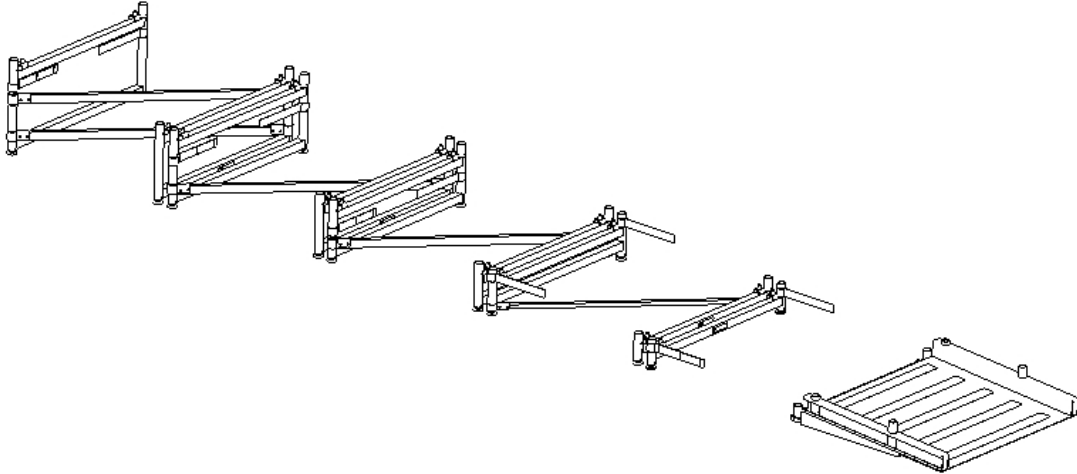


Construction, Finish, and Hardware

- Constructed of ASTM specified steel
- Baked-on powder coat finish.
- Zinc-plated hardware

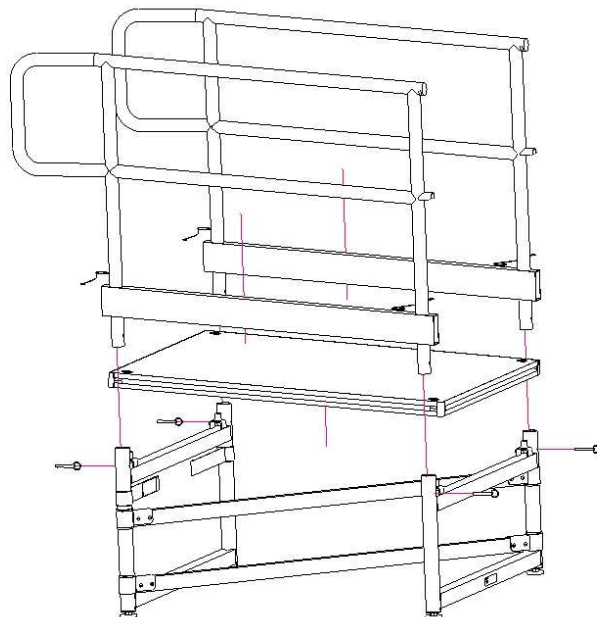
Instructions

1



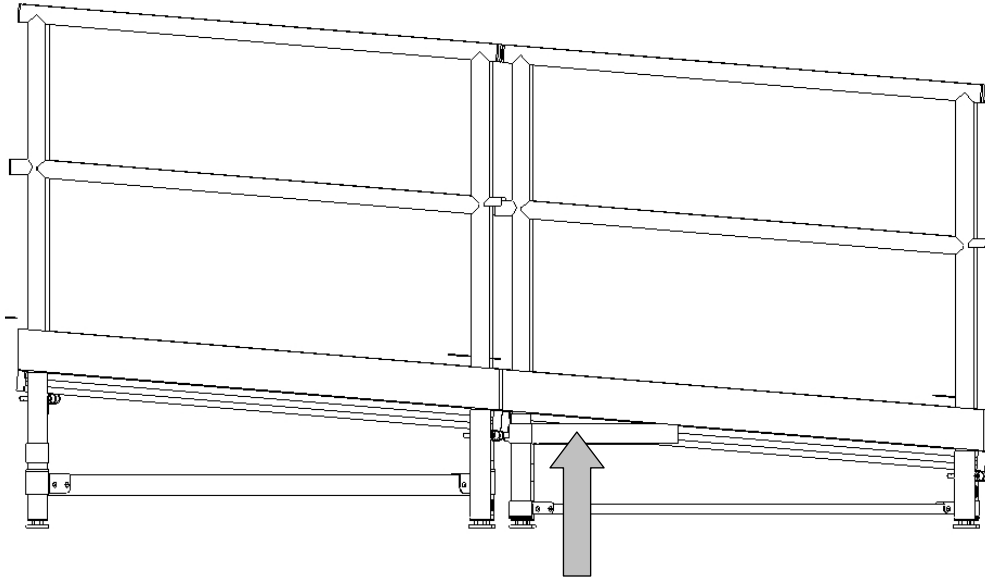
To set up your Access Ramp, begin by unfolding the unit as shown. Setup ramp understructure in approximate position in which the ramp will be used.

2



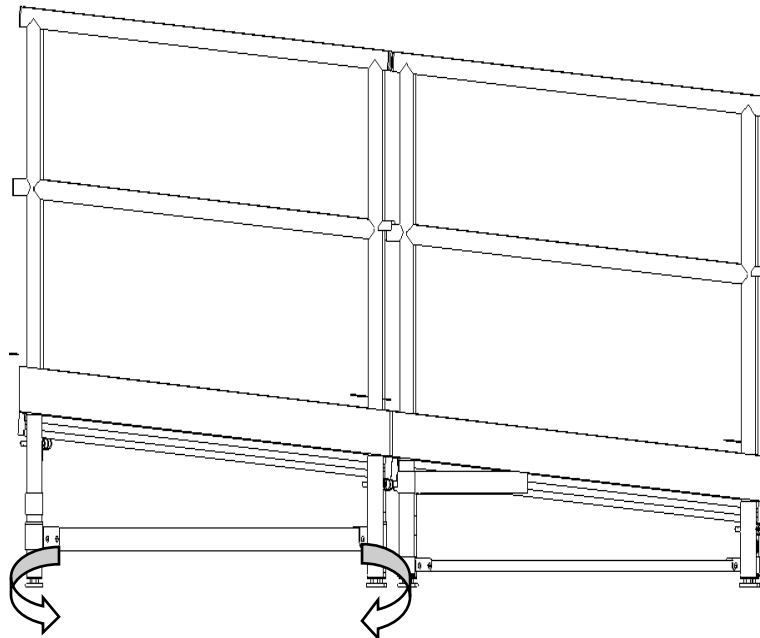
Set deck onto nodes, starting at the lowest section. Insert guardrail into tube. Place (2) fastpins per rail through the leg and guardrail. Repeat this step until all decks and rails are secured to ramp.

3



Once all sections are assembled, use Velcro straps to strap the individual sections together, securing the tallest section to the stage first, and working to the shortest section.

4



To level the decks after they have been placed on the Access Ramp Supports, simply raise or lower the adjustable screw feet by threading them in or out. Once the deck has been leveled, go back and tighten down all of the jam nuts on the screw feet to hold that position.

Maintenance



WARNING!

Read and Understand All Maintenance Procedures

Failure to follow all procedures listed below may cause serious injury and a decrease in the equipments functional existence.

- **Frequently check to see that all fasteners are properly engaged.**
- **Touch up paint can be used to cover any scratches or blemishes sustained through use.**
- **Replace any damaged equipment with genuine StageRight parts.** Failure to do so may result in unsafe equipment and/or personal injury.

Customer Service

For parts or service contact StageRight Corporation. When ordering parts be sure to provide all relevant information available including the name and part number of the equipment purchased. This information is located on the technical specification page of this product information package. Customer Service hours are Monday thru Friday from 8:00 a.m. to 5:00 p.m. Eastern Standard Time. Customers can phone toll-free at (800) 438-4499 or mail:

StageRight Corporation
495 Pioneer Parkway
Clare, Michigan 48617
www.stageright.com



SET UP IN MINUTES



STURDY, WITH NO TOOLS REQUIRED



UNSURPASSED CUSTOMER SERVICE

StageRight Corporation
495 Pioneer Parkway
Clare, MI 48617
Toll-free: 800-438-4499
Phone: 989-386-7393
Fax: 989-386-3500
Email: info@stageright.com
Web: www.stageright.com