



STAGE RIGHT

The Innovative Provider of Best in Class Furnishing Systems for Public Assembly

USER INSTRUCTION PACKET

SOUND SHELL TOWER MOVER II



KEEP INFORMATION PACKET FOR FUTURE REFERENCE

Table of Contents

▪ <i>Introduction</i>	2
▪ <i>General Safety Rules</i>	3
▪ <i>Sound Shell Tower Mover</i>	4
▪ <i>Use Instructions</i>	5-7
▪ <i>Maintenance</i>	8
▪ <i>Customer Service Information</i>	9

INTRODUCTION

Safety, performance and dependability have been given top priority in the design and manufacture of these products making them easy to maintain and operate.

The care you give your equipment will greatly determine your satisfaction with its performance and service life. We urge a careful study of this manual to provide you with a thorough understanding of your new equipment before operating, as well as suggestions for operation and maintenance.

If your manual should become lost or destroyed, StageRight will gladly provide you with a new copy. Should you require additional information or assistance, please feel free to contact us.

BECAUSE STAGERIGHT MAINTAINS AN ONGOING PROGRAM OF PRODUCT DEVELOPMENT AND IMPROVEMENT, WE RESERVE THE RIGHT TO MAKE IMPROVEMENTS IN DESIGN OR CHANGES IN SPECIFICATIONS WITHOUT INCURRING ANY OBLIGATIONS TO INSTALL THEM ON UNITS PREVIOUSLY SOLD.

GENERAL SAFETY RULES



WARNING! READ AND UNDERSTAND ALL INSTRUCTIONS.

Failure to follow all instructions listed below may result in serious personal injury.

SAVE THESE INSTRUCTIONS

- **Keep body and clothing free from and clear of all moving parts.**
- **Inspect equipment prior to use. DO NOT use if it appears damaged or inoperable.**
- **Obtain proper instruction on use of the equipment prior to using.**
- **Make sure there is enough room for safe access and operation of the equipment.**
- **Stay clear of all pinch points.**
- **Keep environment clear of all unused accessories as to avoid trip hazards.**
- **Save these instructions.** Refer to them frequently and use them to instruct others who may use the weight equipment.
- **Read the Product Information Packet.** Failure to read the information packet is considered a misuse of this equipment.

STAGERIGHT EQUIPMENT SPECIFICATIONS

SOUND SHELL TOWER MOVER (PART# 322805)

Weight:	150 lbs (68 kg)
Height:	36" (91 cm)
Length:	66" (168 cm)
Width:	67" (170 cm)

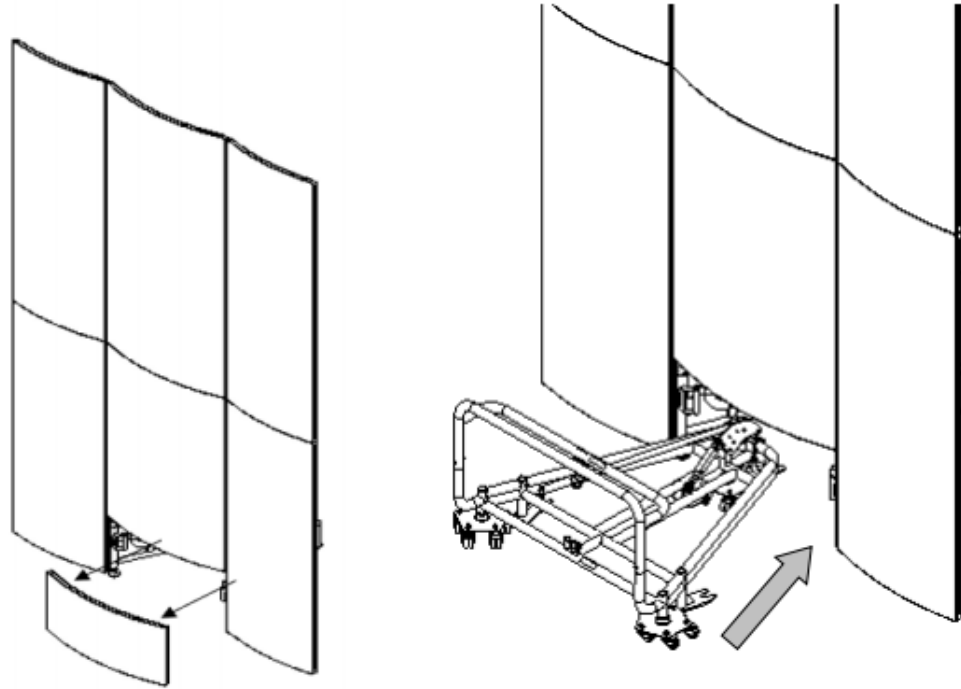
- Mechanical lever to provide easy lifting of towers.
- Clean and easy. No leaking from hydraulic fluid or power required.
- Swivel casters to allow movement in any direction.
- Easy to push design.
- Black powdercoat finish.



Construction, Finish, and Hardware

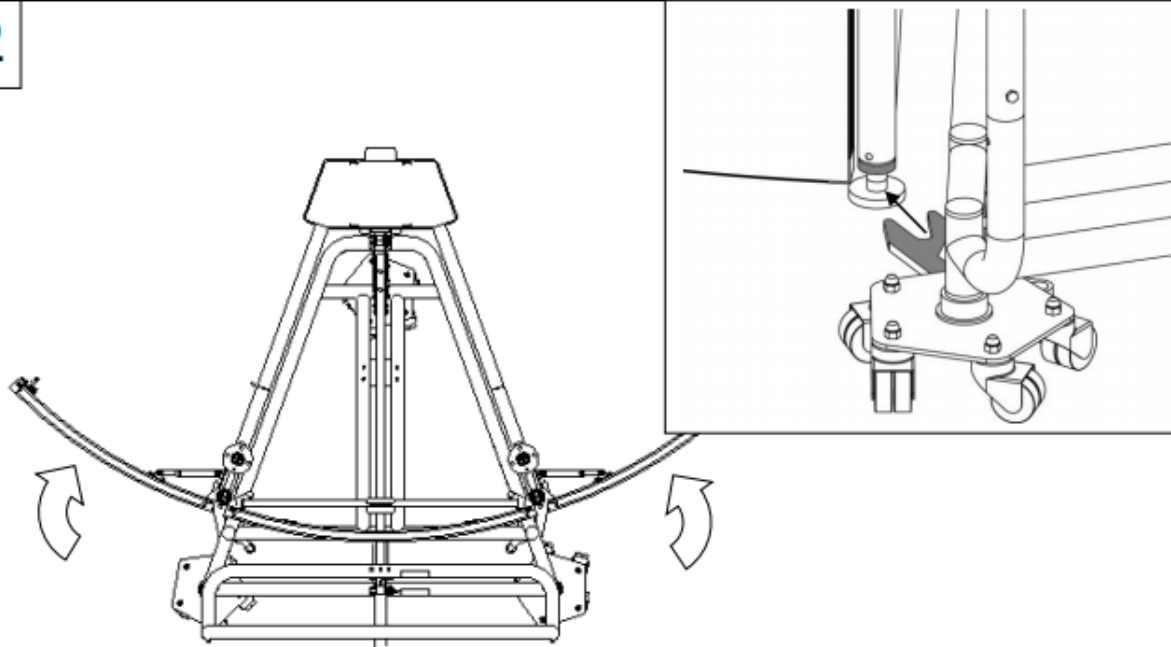
- Constructed of ASTM specified steel
- Baked-on powder coat finish.
- Zinc-plated hardware

1



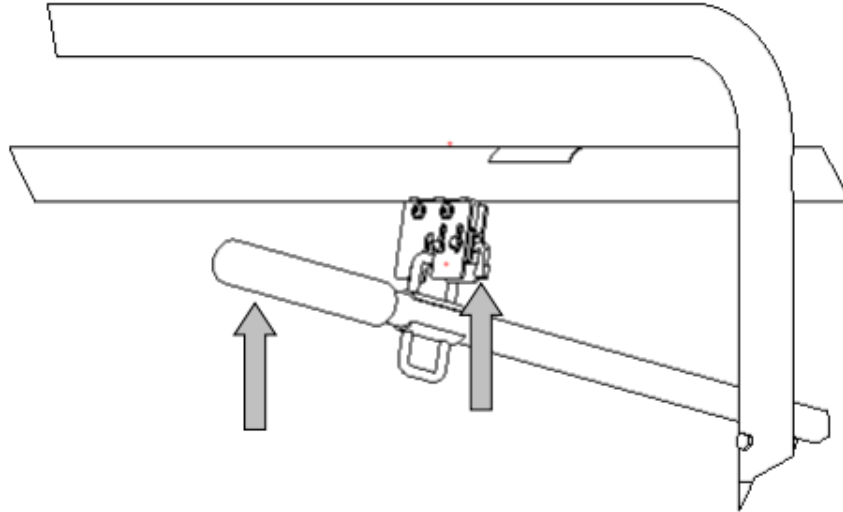
Remove lower panel of the tower, and roll tower mover in front of the tower as depicted above. Make sure the floor is clear of debris and there are no obstructions hanging from the ceiling.

2



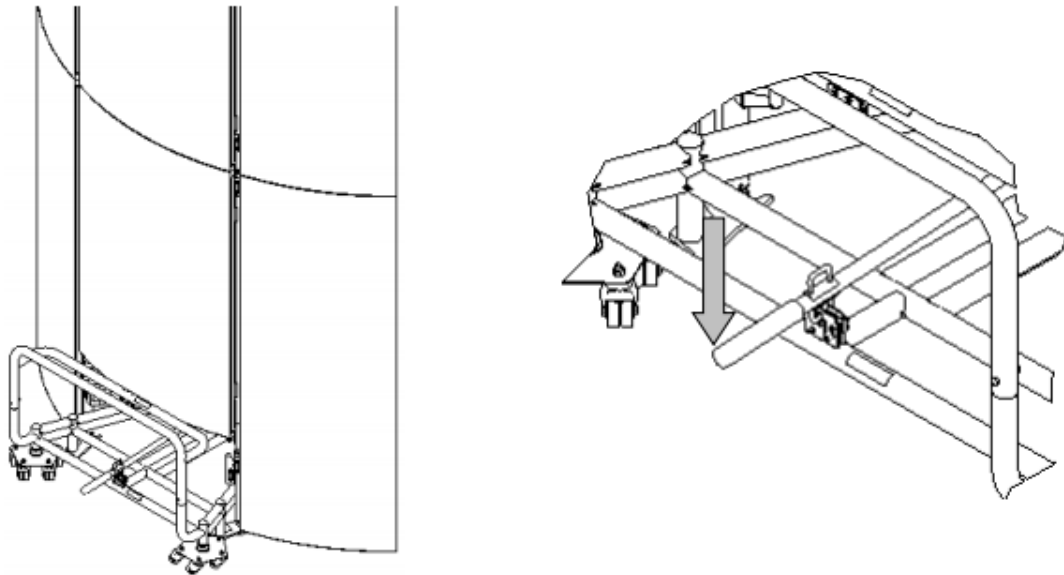
Verify that the mechanical lifter handle is locked in the upright position. Move tower wings into the mid-span position, and roll the mover into place. Lift plates must be fully engaged on lift puck before lifting.

3



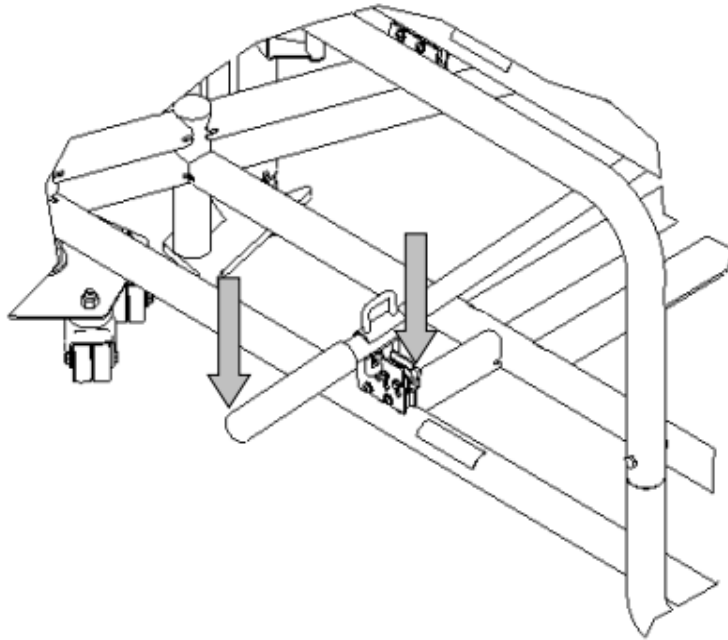
With one hand lift the mechanical lifter handle while simultaneously releasing the lock with the other hand. Maintain resistance on the handle when the lock is released and allow handle to travel to a stop.

4



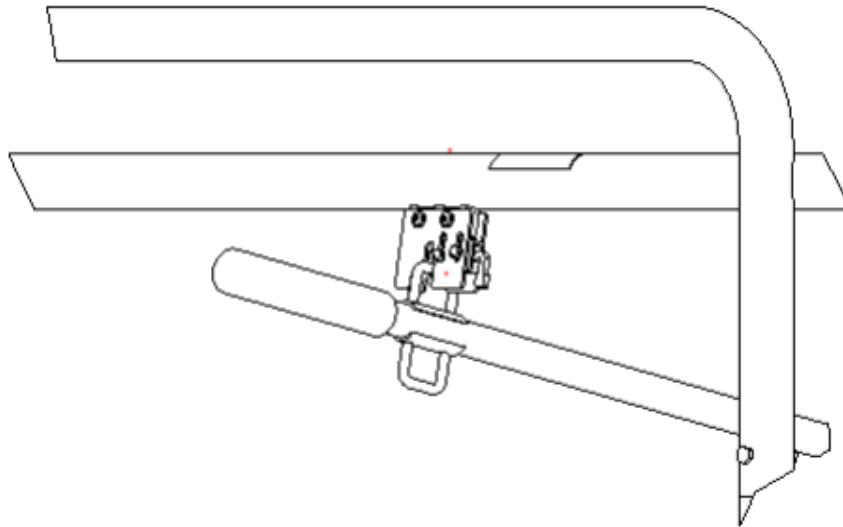
Apply pressure to the handle until the handle locks into the lower lock mechanism. Do not move the tower alone; help is required to avoid objects on the floor and hanging objects.

5



When the Tower is in place, press downwards on the mechanical lifter handle while simultaneously releasing the lock with the other hand. Maintain resistance on the handle until the sound shell rests safely on the floor.

6



Lift the mechanical lifter handle until it is locked securely into the top lock mechanism. Pull mover out from underneath the tower. Move wings back to open position and replace Lower panel.

Maintenance



WARNING!

Read and Understand All Maintenance Procedures

Failure to follow all procedures listed below may cause serious injury and a decrease in the equipments functional existence.

- **Frequently check to see that all fasteners are properly engaged.**
- **Touch up paint can be used to cover any scratches or blemishes sustained through use.**
- **Replace any damaged equipment with genuine StageRight parts.** Failure to do so may result in unsafe equipment and/or personal injury.
- **Frequently check to see that the hydraulic jack is functioning properly.**

Customer Service

For parts or service contact StageRight Corporation. When ordering parts be sure to provide all relevant information available including the name and part number of the equipment purchased. This information is located on the technical specification page of this product information package. Customer Service hours are Monday thru Friday from 8:00 a.m. to 5:00 p.m. Eastern Standard Time. Customers can phone toll-free at (800) 438-4499 or mail:

StageRight Corporation
495 Pioneer Parkway
Clare, Michigan 48617
www.stageright.com



SET UP IN MINUTES



STURDY, WITH NO TOOLS REQUIRED



UNSURPASSED CUSTOMER SERVICE

StageRight Corporation
495 Pioneer Parkway
Clare, MI 48617
Toll-free: 800-438-4499
Phone: 989-386-7393
Email: info@stageright.com
Web: www.stageright.com