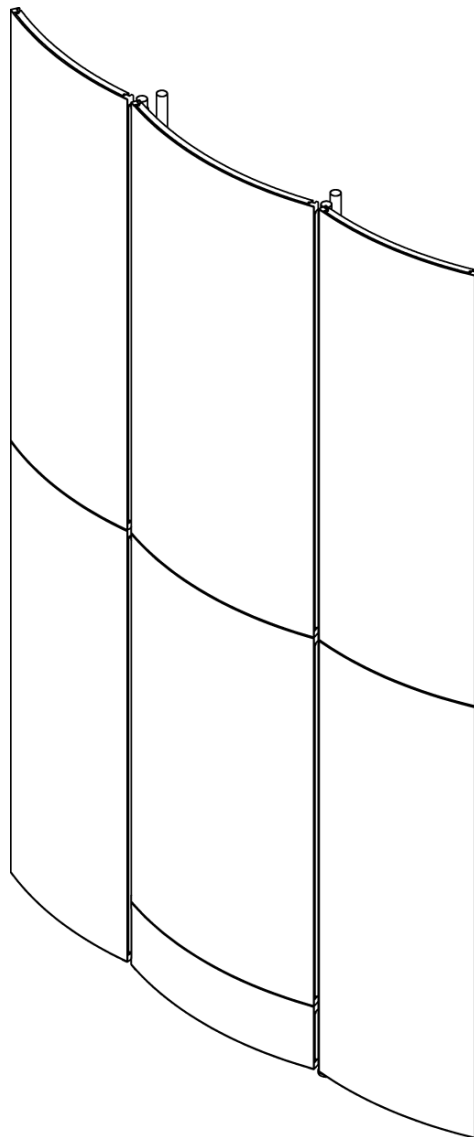




STAGERIGHT

PRODUCT INFORMATION PACKET

PRODUCT NAME: OPUS II CONCERT SHELL SYSTEM



KEEP INFORMATION PACKET FOR FUTURE REFERENCE

Table of Contents

▪ Introduction.....	1
▪ General Safety Rules.....	2
▪ Symbols.....	3
▪ Concert Shell Tower	
○ Technical Specifications.....	4
○ Assembly Instructions.....	5
▪ Concert Shell Ceiling	
○ Technical Specifications.....	10
○ User Instructions.....	11
▪ Tower Mover	
○ Technical Specifications.....	13
○ User Instructions.....	14
▪ Maintenance.....	16
▪ Customer Service Information.....	16

Introduction

The StageRight Opus II Concert Shell System has been designed and manufactured with safety, performance and dependability as top priorities, making it easy to operate and maintain.

The care you give your Concert Shell System will greatly determine your satisfaction with its performance and service life. Careful study of this manual is encouraged to obtain a thorough understanding of your new Concert Shell System and its functions and maintenance.

If your manual becomes lost or destroyed, StageRight will gladly provide you with a new copy. Should you require additional information or assistance, please feel free to contact us at 1-800-438-4499.

BECAUSE STAGERIGHT CORPORATION MAINTAINS AN ONGOING PROGRAM OF PRODUCT DEVELOPMENT AND IMPROVEMENT, WE RESERVE THE RIGHT TO MAKE IMPROVEMENTS IN DESIGN OR CHANGES IN SPECIFICATIONS WITHOUT INCURRING ANY OBLIGATIONS TO INSTALL THEM ON UNITS PREVIOUSLY SOLD.

General Safety Rules



WARNING!


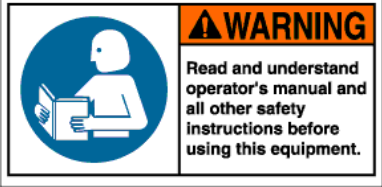

READ AND UNDERSTAND ALL INSTRUCTIONS.

Failure to follow all instructions listed below may result in serious personal injury.

SAVE THESE INSTRUCTIONS

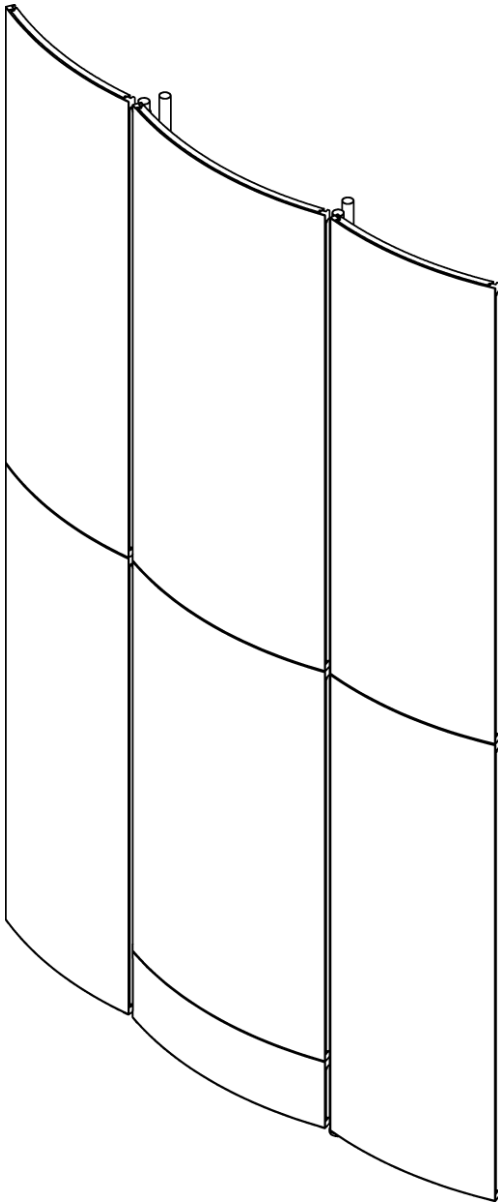
- **Stay clear of all pinch points.**
- **Make sure that all fasteners are properly engaged before use.** Quick pins and jam nuts need to be properly engaged before use.
- **Save these instructions.** Refer to them frequently and use them to instruct others who may use the Opus II Concert Shell System.
- **Read the Product Information Packet.** Failure to read the information packet is considered a misuse of this equipment.
- **Do Not Use Concert Shell System Outdoors.**
- **Become familiar with all caution and warning decals affixed to the field equipment before use.**
- **Never cover or deface caution/warning labels.**

Symbols

	<p>Safety Alert: Precautions that involve your safety</p>
 <p>WARNING Read and understand operator's manual and all other safety instructions before using this equipment.</p>	<p>Read The Operator's Manual: To reduce risk of injury, user must read and understand operator's manual before using this product</p>
 <p>CAUTION Pinch Point. Keep Hands And Fingers Clear</p>	<p>Pinch Point Warning Label: Failure to keep hands away from pinch points will result in personal injury</p>

StageRight Corporation Equipment Specifications

Opus II Concert Shell Tower



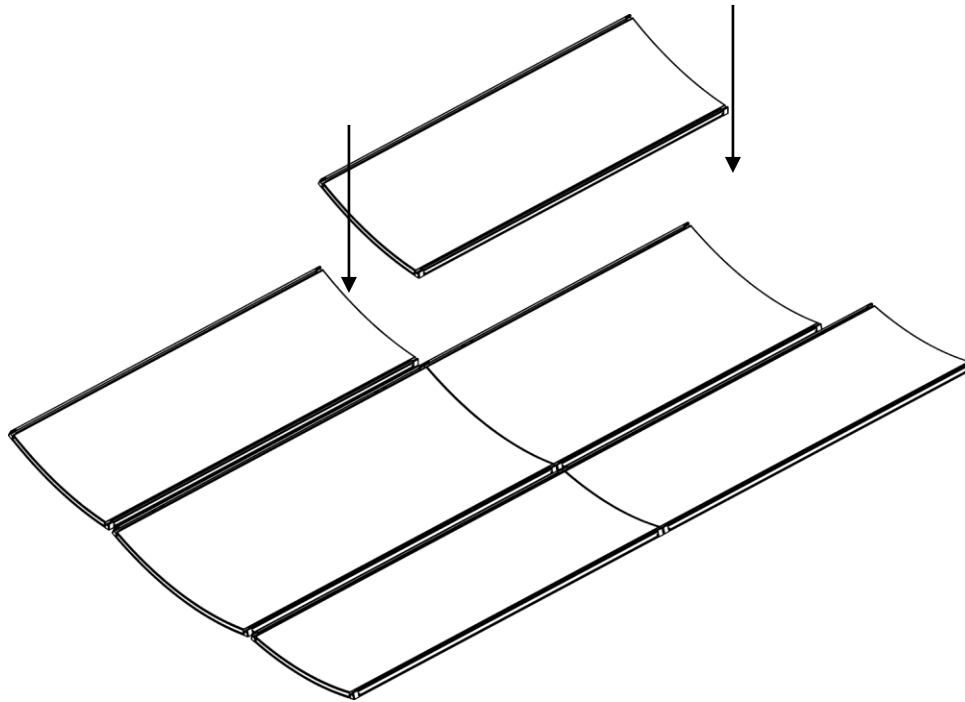
- Moveable tower reflects a maximum range of audible frequencies.
- Self-standing with counter-weighted, nesting base.

Construction, Finish, and Hardware

- Constructed of ASTM specified steel
- Baked-on powder coat finish
- Class B fire-rated high-pressure laminate panels
- Zinc-plated hardware

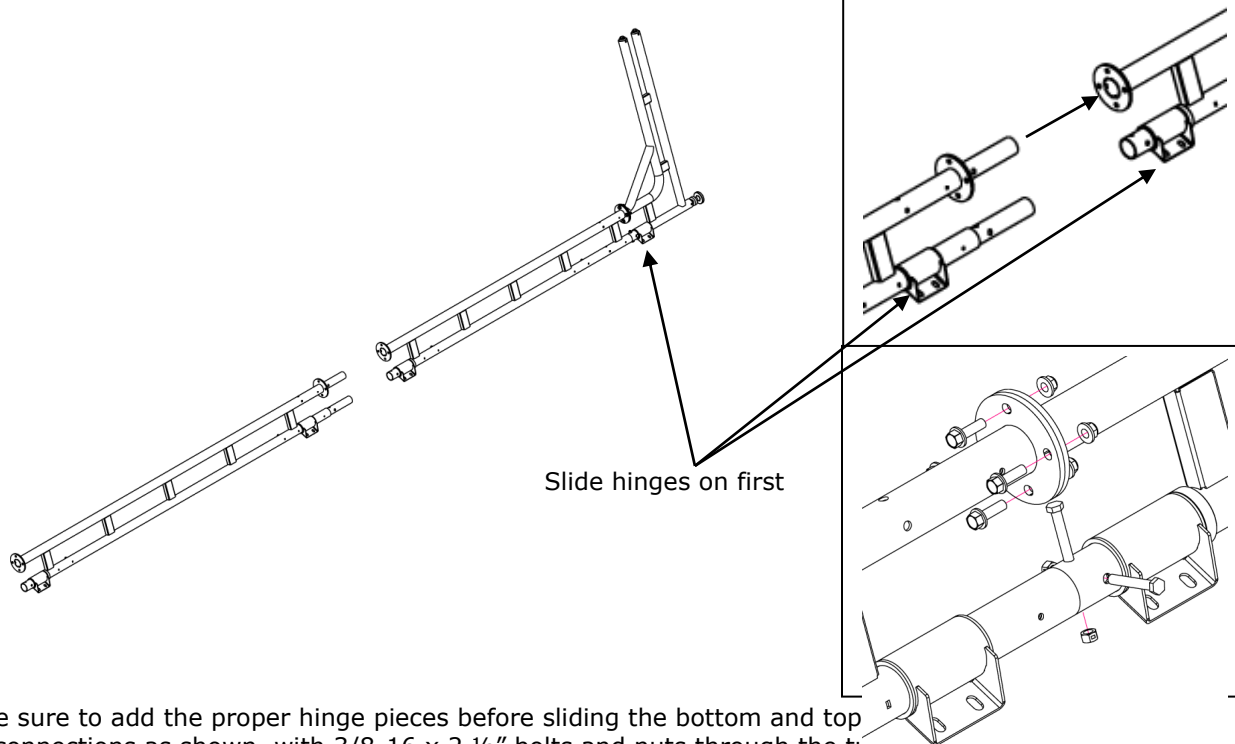
Assembly Instructions

1



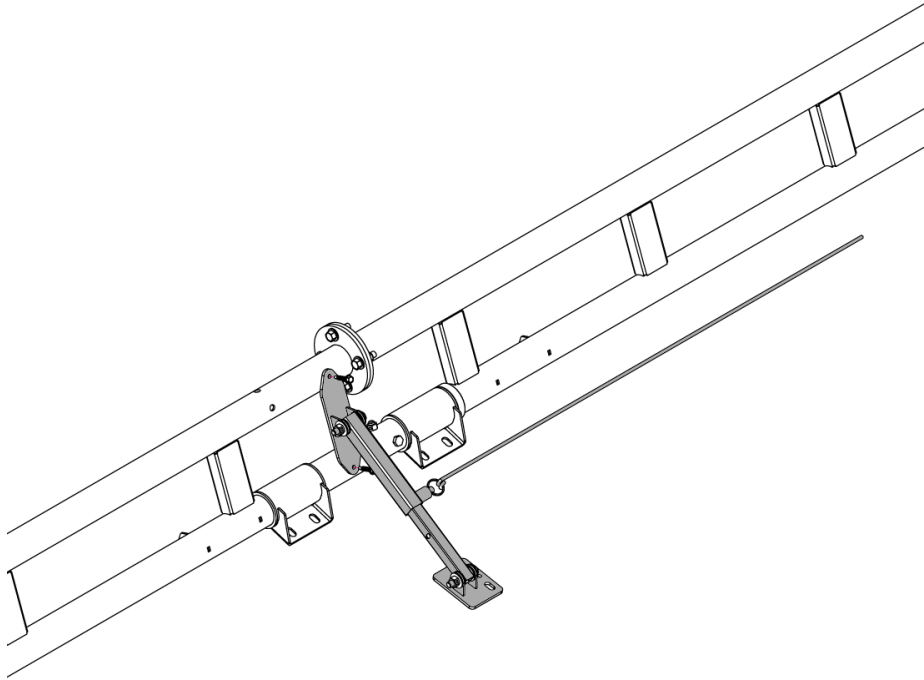
Lay the panels out face down on the floor according to the map. *Note: Make sure the floor is clean to help prevent damage to the panels.*

2



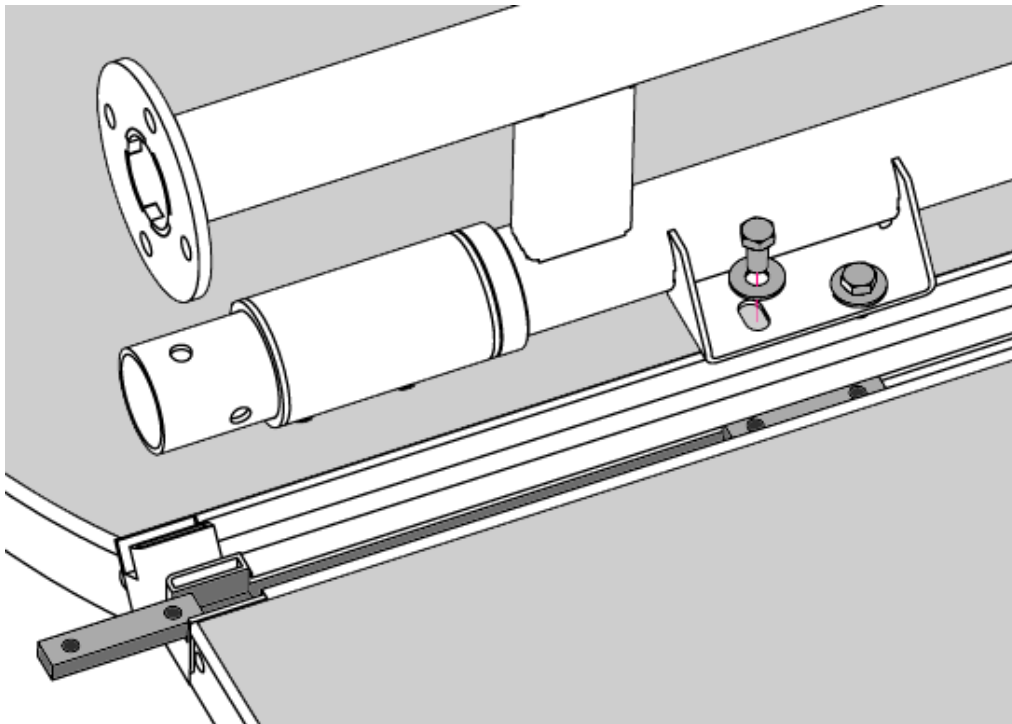
Make sure to add the proper hinge pieces before sliding the bottom and top the connections as shown, with 3/8-16 x 2 1/2" bolts and nuts through the tube, and the flanged bolts and nuts through the plates. The L-shaped base and lower mast tubes connect in the same manner.

3



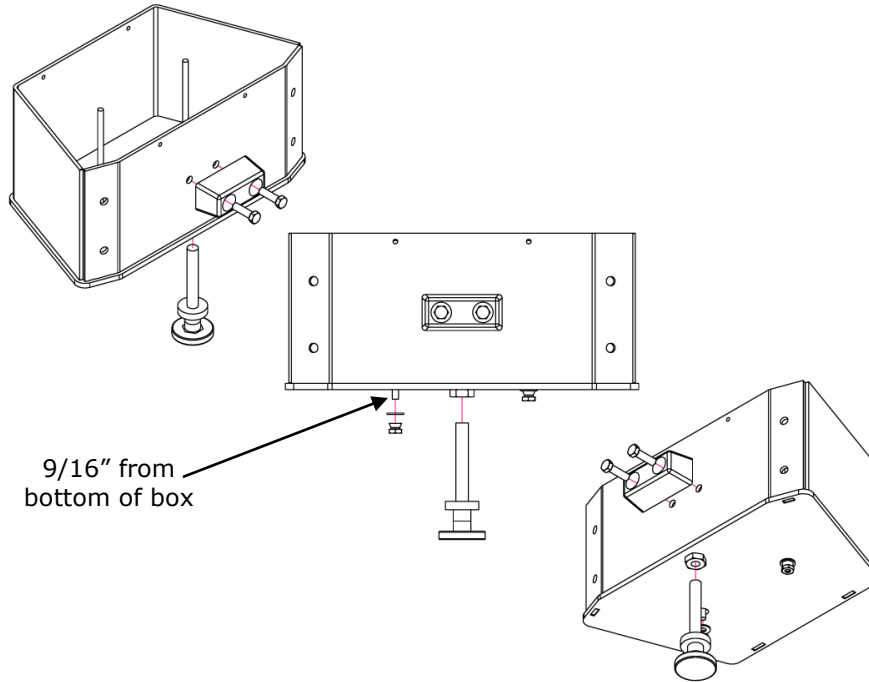
Use $\frac{1}{4}$ x $1 \frac{1}{4}$ " Tec screws to fasten sound shell wing arms to the mast tubes.

4



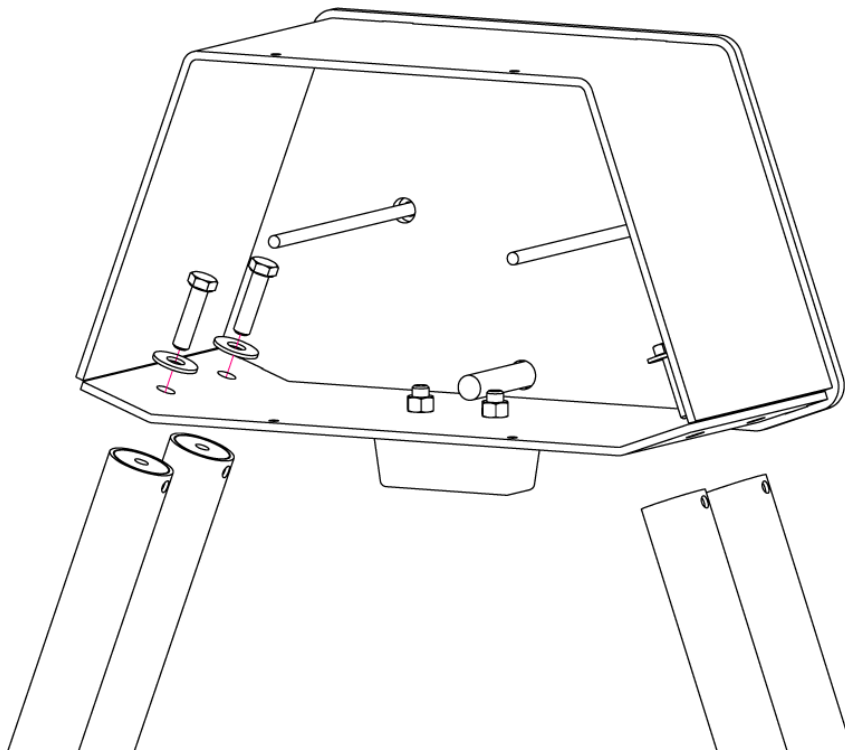
Attach masts to back side of panels by sliding strut nuts, one for each hinge bracket, into the track slot. Line up each strut nut with its corresponding hinge bracket and fasten with $\frac{3}{8}$ -16 x $\frac{3}{4}$ " bolts and washers.

5



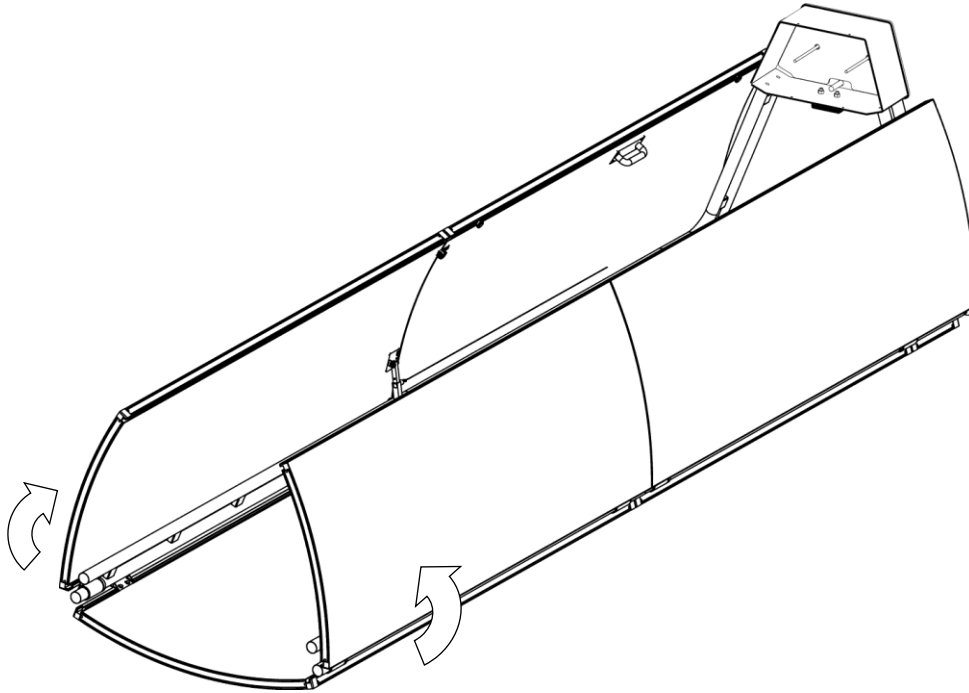
Assemble the counterweight box by installing screw foot, rubber bumper, and setting the threaded rods at the proper length. Approximately 9/16" of the rod should poke through the bottom of the box. Install tamper proof nuts and torque to break-off point, ~185-195 ft lbs.

6



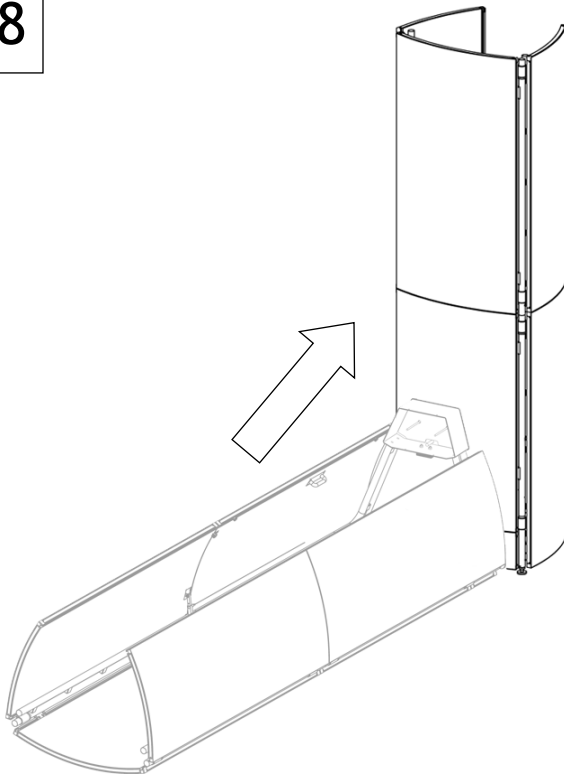
Install the counterweight box with four 1/2-13 x 2" bolts, washers and nuts.

7



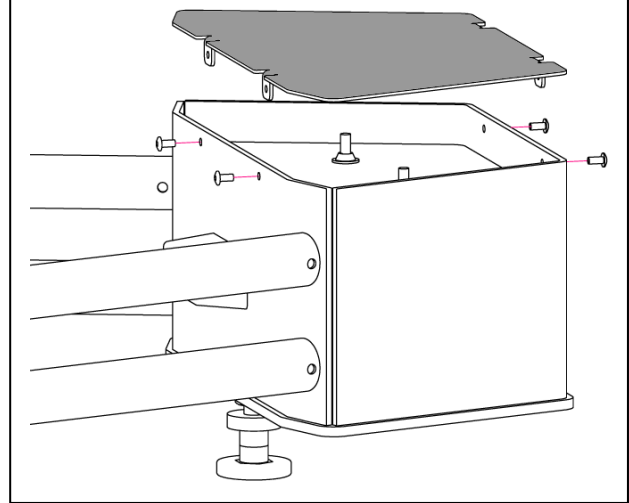
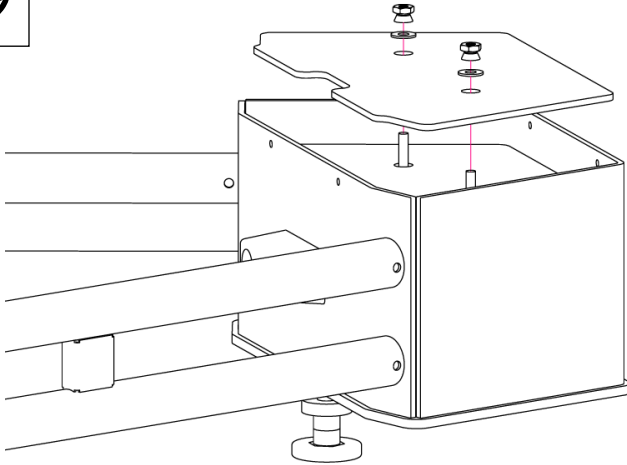
Pull the ropes on the hinge stop bracket and raise both sides of tower to a vertical position until they lock into place.

8



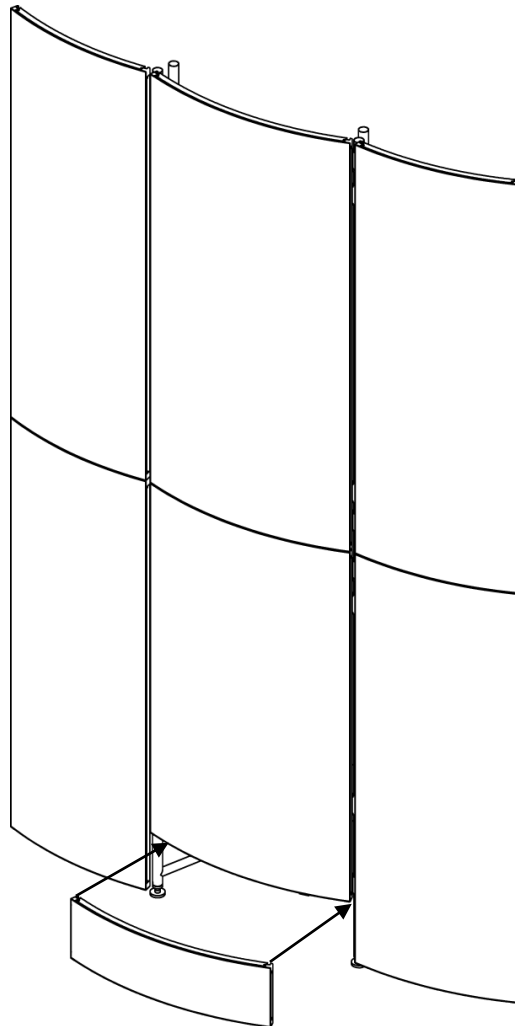
Note: Use at least four people to raise any size tower! Place one person at the back of the tower to control counter-weight and prevent the screw feet from sliding. The other people are needed at the top of the tower to raise it by walking it up until all three screw feet are touching the floor.

9



With the sound shell now upright, the counterweight plates can be installed. Test fit counterweight lid before torquing tamper proof nuts to breakaway at 185-195 ft-lbs. Finish by riveting lid closed.

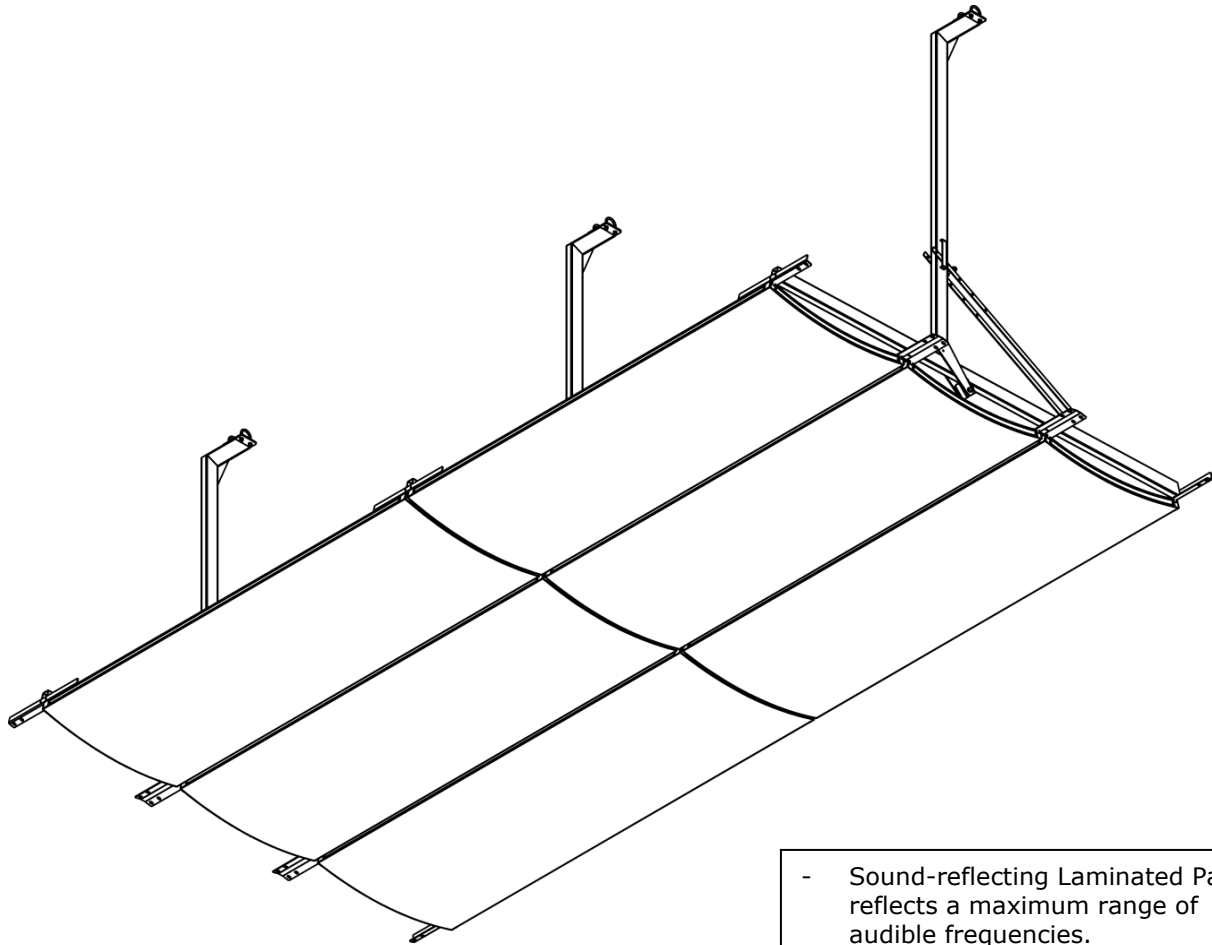
10



The wings can now be folded out and the transport door can be added to the bottom of the tower. Add door handles if necessary.

StageRight Corporation Equipment Specifications

Opus II Concert Shell Ceiling

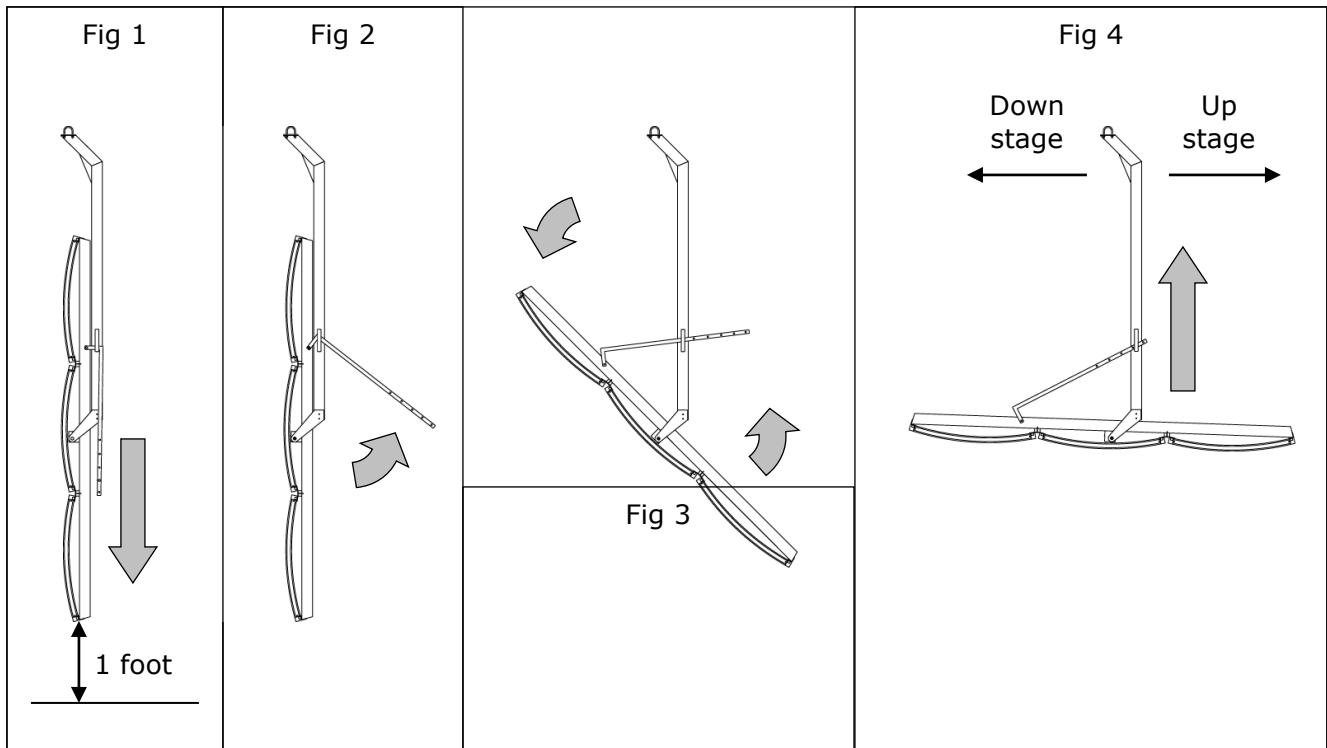


- Sound-reflecting Laminated Panel reflects a maximum range of audible frequencies.
- Suspended from a single pipe batten.

Construction, Finish, and Hardware

- Frame constructed of ASTM specified steel
- Anodized aluminum
- Class B fire-rated high-pressure laminate

Ceiling Panel “Use” Position



Step 1

Lower the ceiling panel so that the bottom edge is approximately one foot off the floor. Follow the stage rigging manufacturers guidelines for safe equipment usage. See figure #1.

Step 2

Rotate all the angle adjustment arms to unlock ceiling. See figure #2.

Step 3

Using two or more people, pull gently up stage on the lower edge of the ceiling, allowing the panel to rotate to the use position. See figure #3.

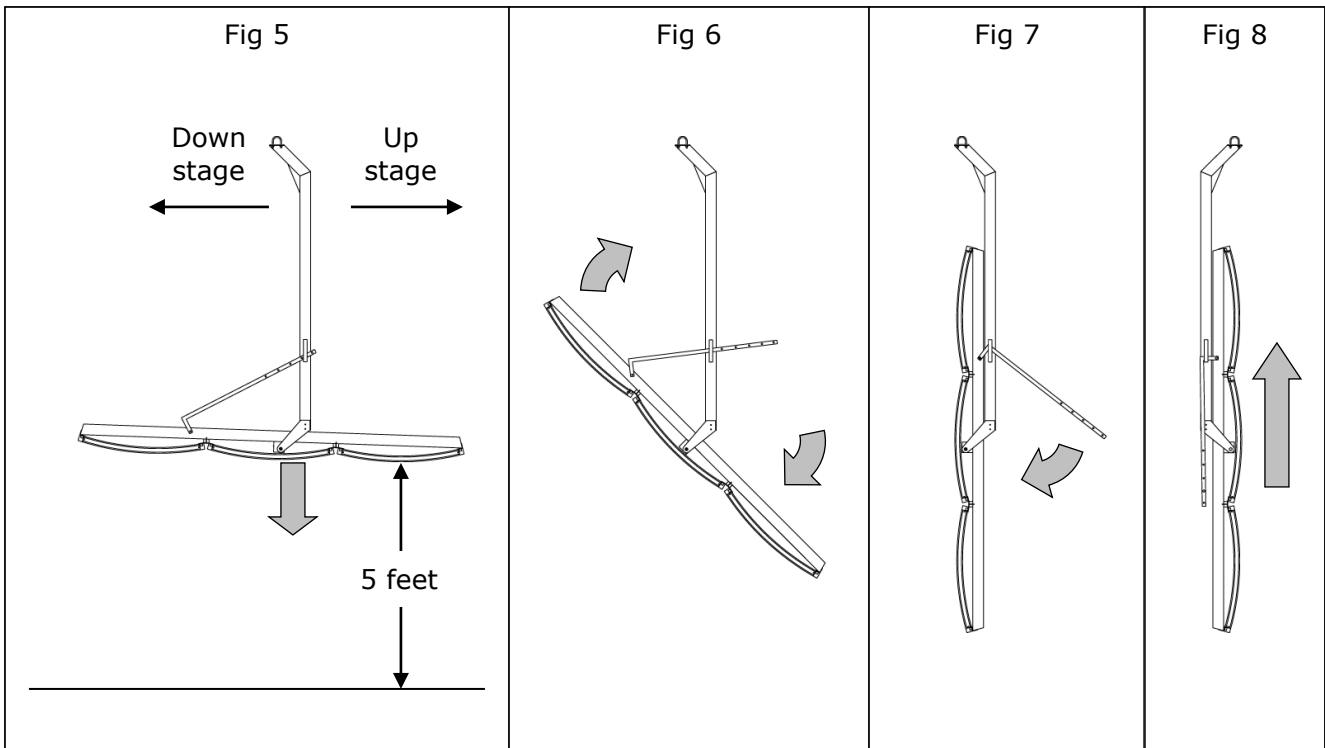
Step 4

Raise the panel to its use position. See figure #4.

Ceiling Angle

If desired, the ceiling panel angle can be changed by relocating the stop spacer in one of the other provided holes in the angle adjustment arm.

Ceiling Panel “Storage” Position



Step 1

Lower the ceiling panel so that the bottom surface of the panel is approximately five feet off the floor. Follow the stage rigging manufacturers guidelines for safe equipment usage. See figure #5.

Step 2

Using two people, apply a downward pressure on the up stage edge of the ceiling. The panel will rotate to the vertical storage position. See figure #6.

Step 3

Rotate the angle adjustment arm downward to lock the ceiling panel in the storage position. See figure #7.

Step 4

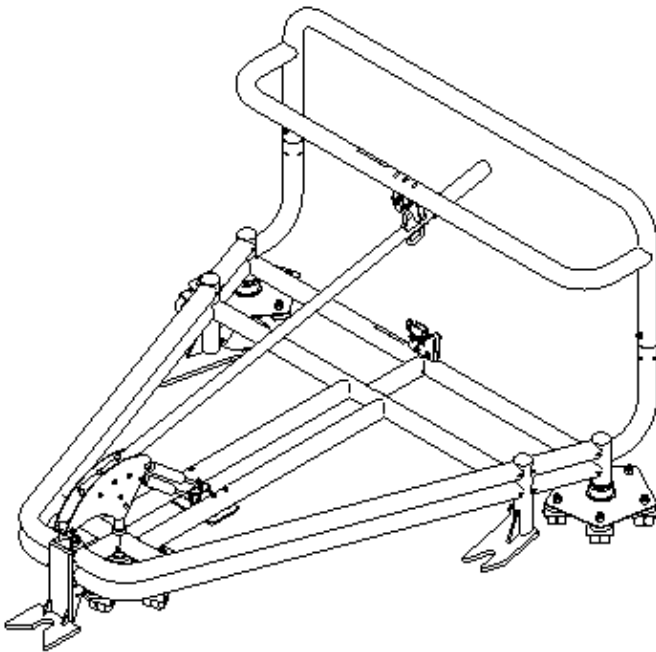
Raise the vertical ceiling panel to its storage height. See figure #8.

Maintenance

1. Touch up paint color: _____
2. Check all bolts for a snug fit annually.
3. Angle adjustment arm is supplied with friction washers. It should be adjusted so that it will stay at any position.

StageRight Corporation Equipment Specifications

Opus II Concert Shell Tower Mover



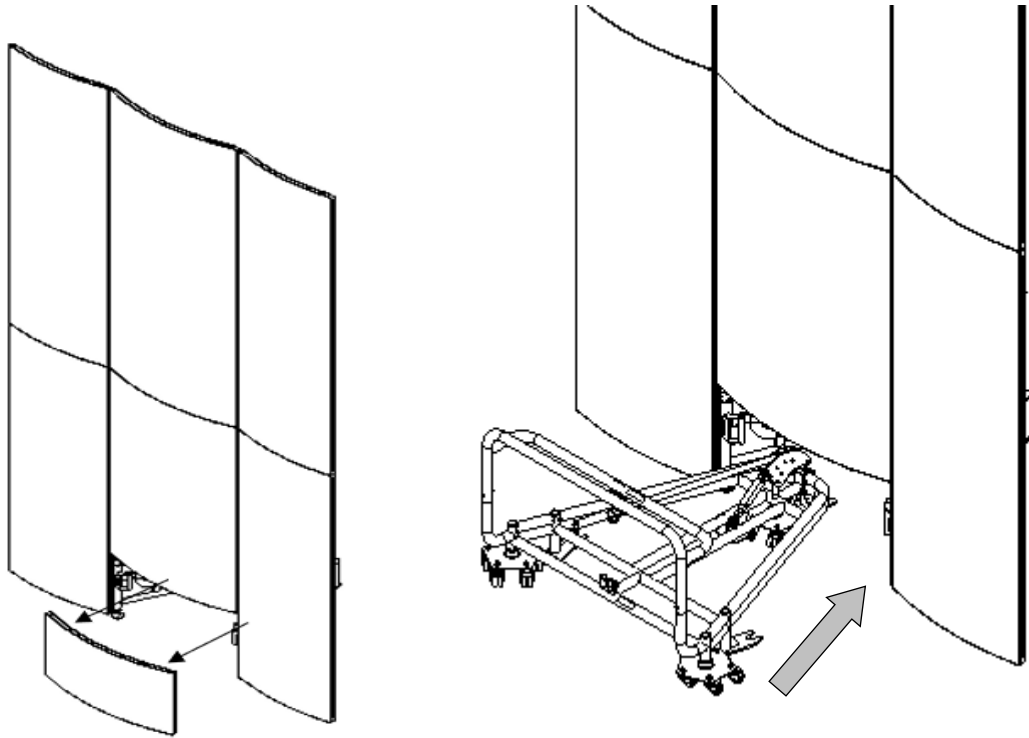
Weight:	150 lbs (68 kg)
Height:	36" (91 cm)
Length:	66" (168 cm)
Width:	67" (170 cm)

- Mechanical lever to provide easy lifting of towers.
- Clean and easy. No leaking from hydraulic fluid or power required.
- Swivel casters to allow movement in any direction.
- Easy to push design.
- Black powdercoat finish.

Construction, Finish, and Hardware

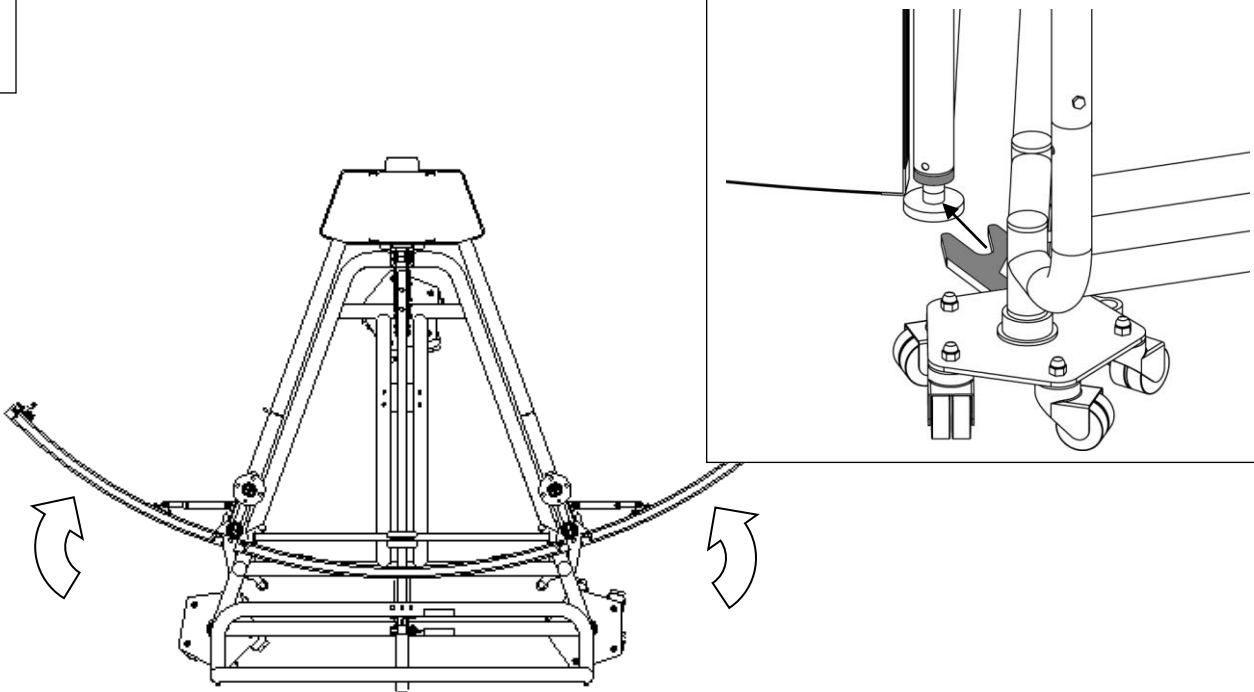
- Constructed of ASTM specified steel
- Baked-on powder coat finish.
- Zinc-plated hardware

1



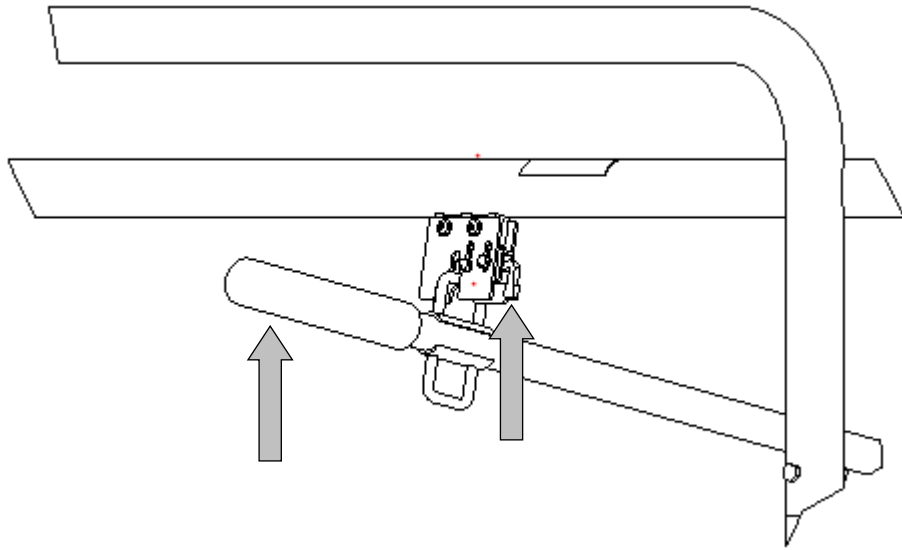
Remove lower panel of the tower, and roll tower mover in front of the tower as depicted above. Make sure the floor is clear of debris and there are no obstructions hanging from the ceiling.

2



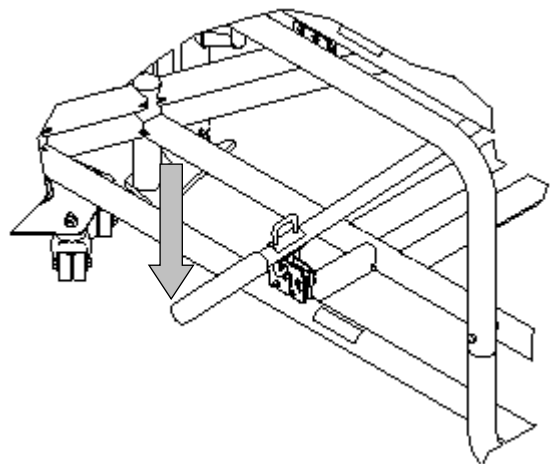
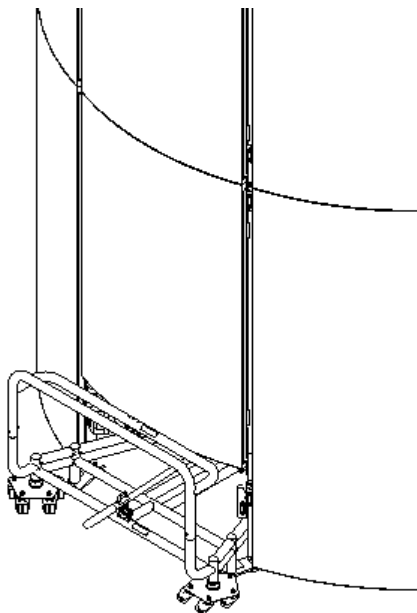
Verify that the mechanical lifter handle is locked in the upright position. Move tower wings into the mid-span position, and roll the mover into place. Lift plates must be fully engaged on lift puck before lifting.

3



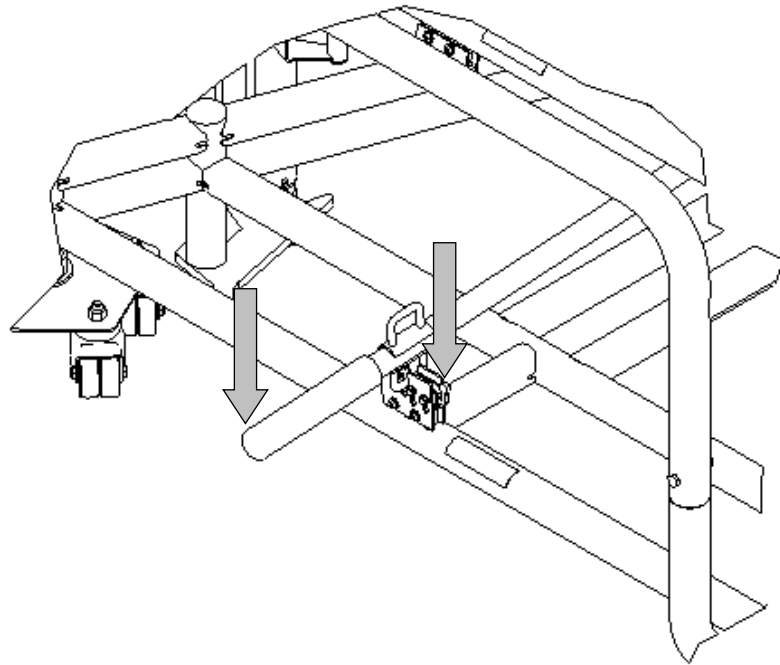
With one hand lift the mechanical lifter handle while simultaneously releasing the lock with the other hand. Maintain resistance on the handle when the lock is released and allow handle to travel to a stop.

4



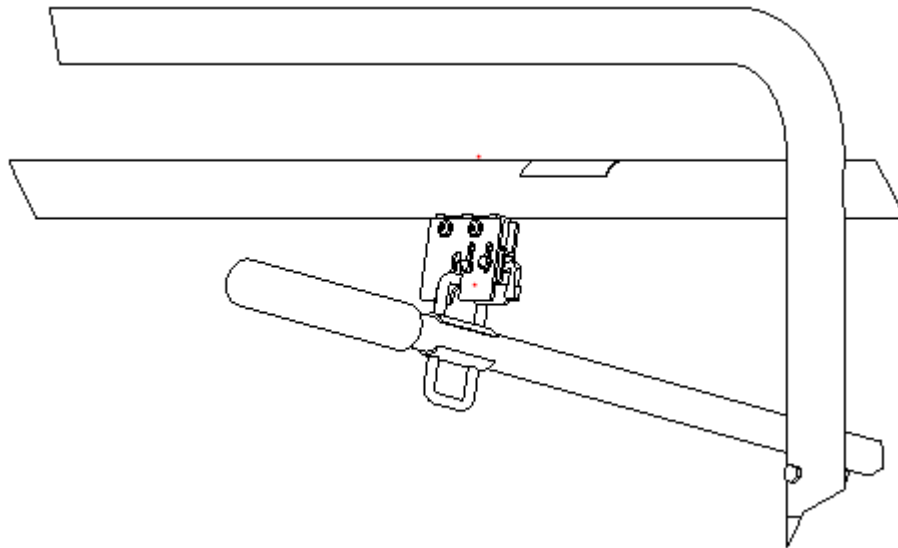
Apply pressure to the handle until the handle locks into the lower lock mechanism. Do not move the tower alone; help is required to avoid objects on the floor and hanging objects.

5



When the Tower is in place, press downwards on the mechanical lifter handle while simultaneously releasing the lock with the other hand. Maintain resistance on the handle until the sound shell rests safely on the floor.

6



Lift the mechanical lifter handle until it is locked securely into the top lock mechanism. Pull mover out from underneath the tower. Move wings back to open position and replace Lower panel.

Maintenance



WARNING!

Read and Understand All Maintenance Procedures

Failure to follow all procedures listed below may cause serious injury and a decrease in the equipments functional existence.

- **Frequently check to see that all fasteners are properly engaged.**
- **Touch up paint can be used to cover any scratches or blemishes sustained through use.**
- **Replace any damaged equipment with genuine StageRight parts.** Failure to do so may result in unsafe equipment and/or personal injury.
- **Frequently check to see that the hydraulic jack is functioning properly.**

Customer Service

For parts or service contact StageRight Corporation. When ordering parts be sure to provide all relevant information available including the name and part number of the equipment purchased. This information is located on the technical specification page of this product information package. Customer Service hours are Monday thru Friday from 8:00 a.m. to 5:00 p.m. Eastern Standard Time. Customers can phone toll-free at (800) 438-4499 or mail:

StageRight Corporation
495 Pioneer Parkway
Clare, Michigan 48617
www.stageright.com



SET UP IN MINUTES



STURDY, WITH NO TOOLS REQUIRED



UNSURPASSED CUSTOMER SERVICE

StageRight Corporation
495 Pioneer Parkway
Clare, MI 48617
Toll-free: 800-438-4499
Phone: 989-386-7393
Email: info@stageright.com
Web: www.stageright.com